

Press 1/8" Dowell  
Through Seat into  
Wooden Men before  
Gluing Seat to Bed

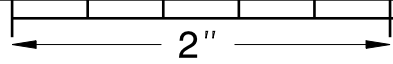
**MATERIAL LIST**

Component Description	Number Req'd	Size	Material	Sheet
Bed	1	7" x 2-1/2" x 1/2"	Pine	3
Cab	2	3" x 4" x 1/4"	Pine	2
Grill	1	2-1/2" x 2" x 1/4"	Pine	3
Roof	1	2-1/2" x 1-5/8" x 1/4"	Pine	2
Cab Back Wall	1	2-1/2" x 3-1/4" x 3/8"	Pine	2
Bed Side	2	2" x 4-1/2" x 1/4"	Pine	2
Bed Support	2	3/8" x 1/4" x 1"	Pine	4
Tail Gate	1	2" x 2-1/2" x 1/4"	Pine	2
Seat Bottom	1	2-1/2" x 1-1/4" x 1/2"	Pine	3
Seat Back	1	2-1/2" x 2" x 3/8"	Pine	3
Front Bumper	1	2-3/4" x 5/8" x 3/16"	Pine	4
Rear Bumper	1	2-3/4" x 5/8" x 1/4"	Pine	4
Top Light	1	2" x 5/8" x 1/4"	Pine	4
Wheels	4	1-1/2" Dia. Woodworks, Ltd. TW1500	Pine	1
Wooden Man	2	5/8" x 2-3/8" Woodworks, Ltd. LP2020	Pine	1
Wood Dowell	2	1/8" x 1"	Pine	1
Axles	4	1/4" x 1-1/4" Woodworks, Ltd AP1005	Pine	1

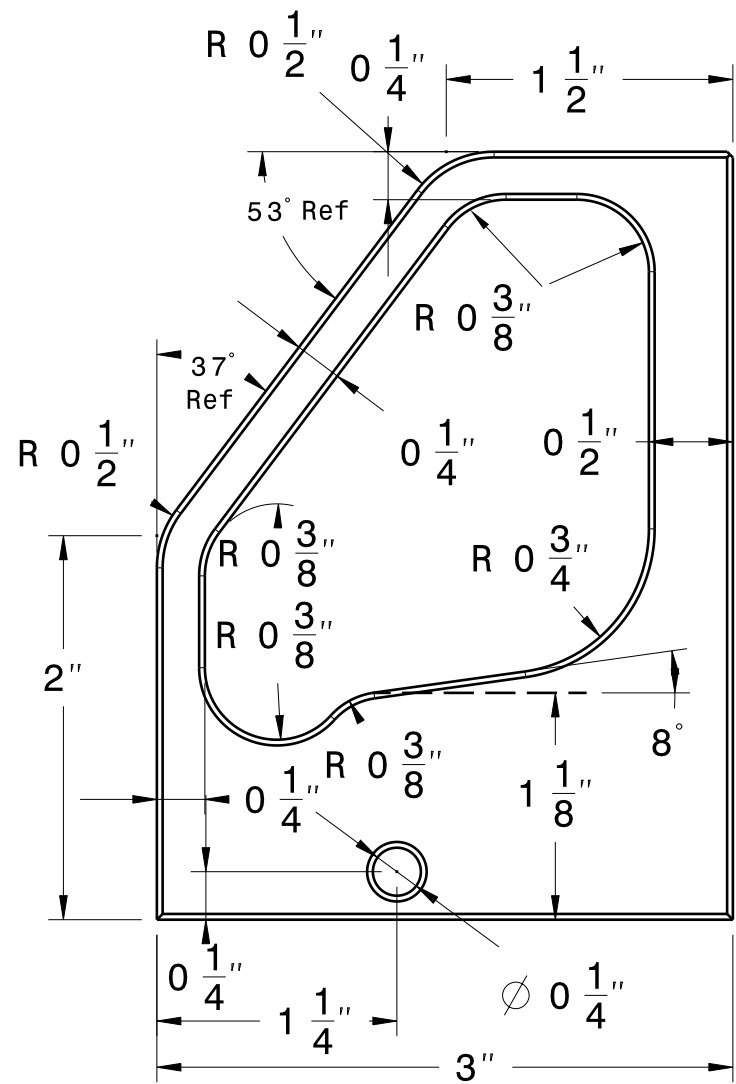
This drawing is our property.  
It can't be reproduced  
or communicated without  
our written agreement.

DRAWN BY <b>D R McCagg</b>	DATE 20MAR2022
CHECKED BY <b>R. Bergethon</b>	DATE 18APR2022
DESIGNED BY <b>D R McCagg</b>	DATE 20MAR2022

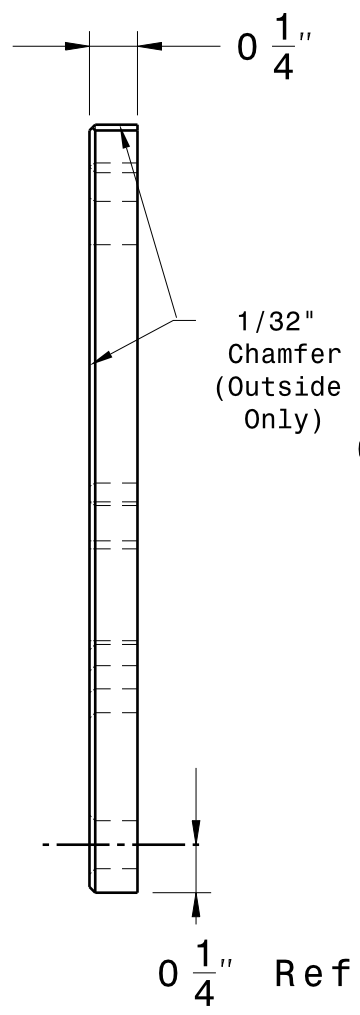
<b>Berg's Design</b>			
DRAWING TITLE <b>Berg's Delivery Truck</b>			
CHECKED BY <b>R. Bergethon</b>	DATE 18APR2022	SIZE <b>B</b>	DRAWING NUMBER <b>Bergs_Toy_Truck_3-12-22</b>
DESIGNED BY <b>D R McCagg</b>	DATE 20MAR2022	SCALE <b>1:1</b>	WEIGHT (kg) <b>3.88</b>
		SHEET <b>1/4</b>	REV <b>Rel</b>



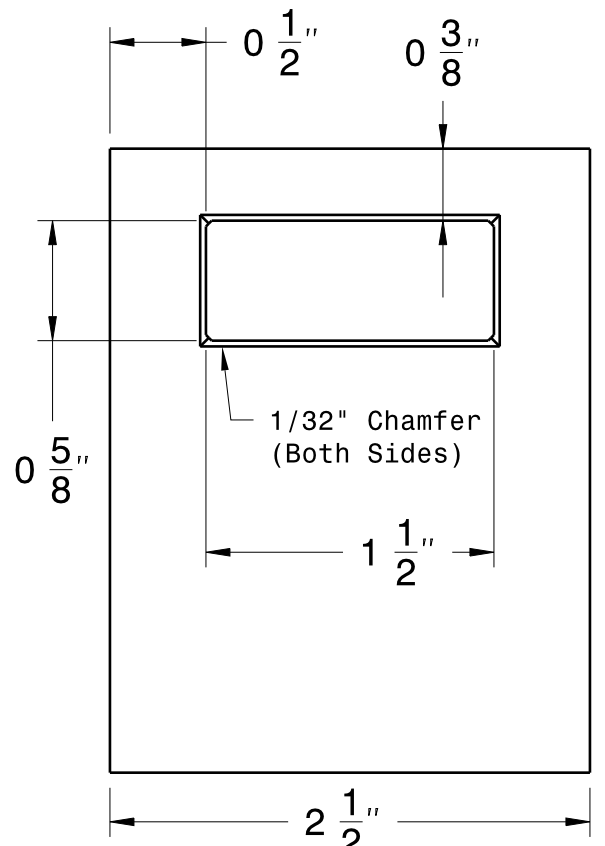
A



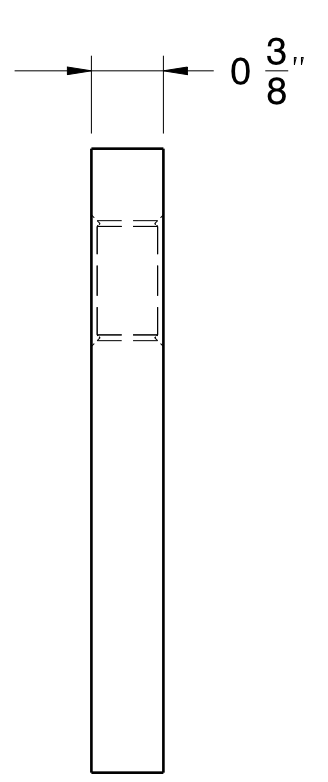
Cab Front view  
Scale: 1:1



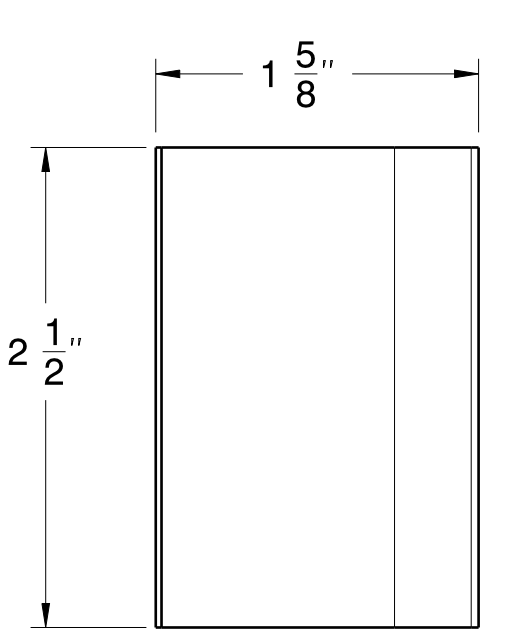
Cab Right view  
Scale: 1:1



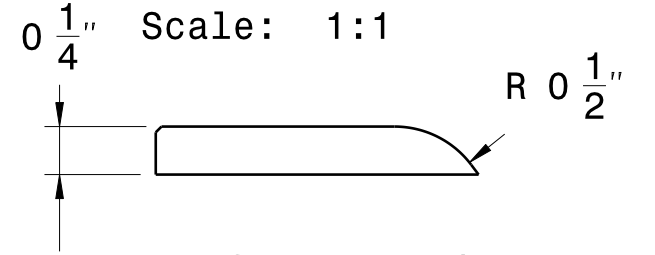
Back Wall Front view  
Scale: 1:1



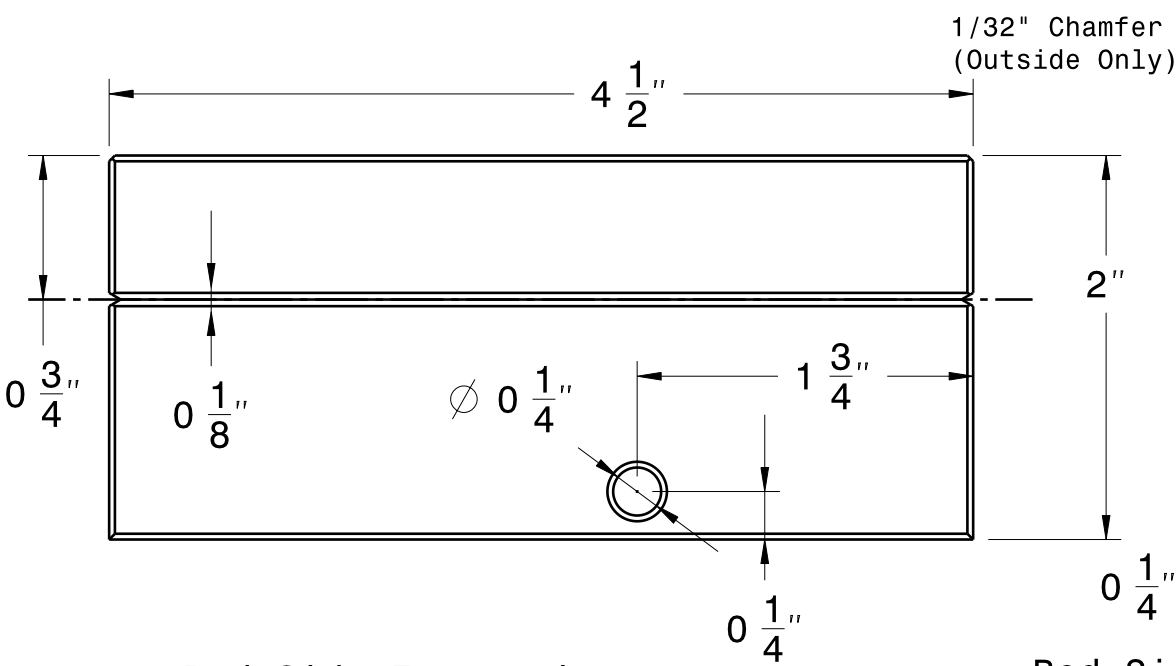
Back Wall Right view  
Scale: 1:1



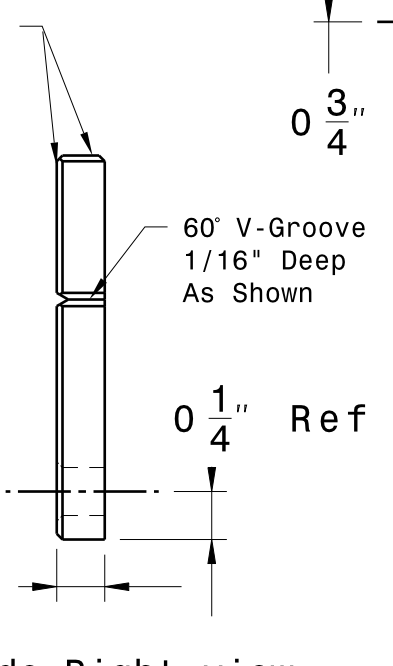
Roof Front view  
Scale: 1:1



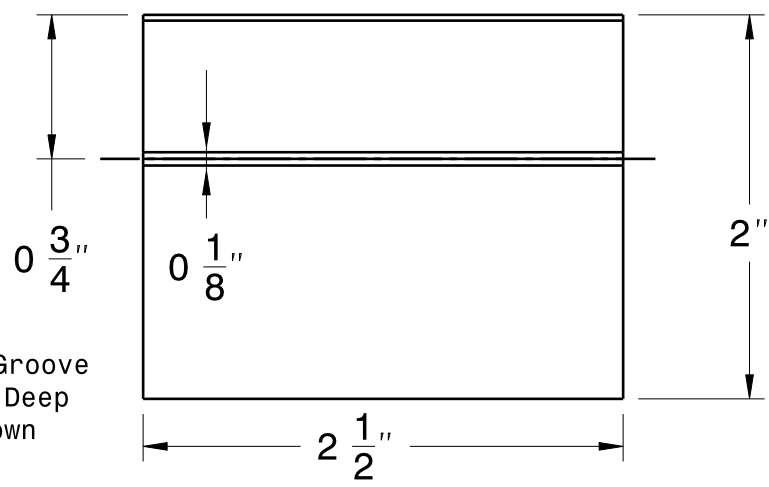
Roof Bottom view  
Scale: 1:1



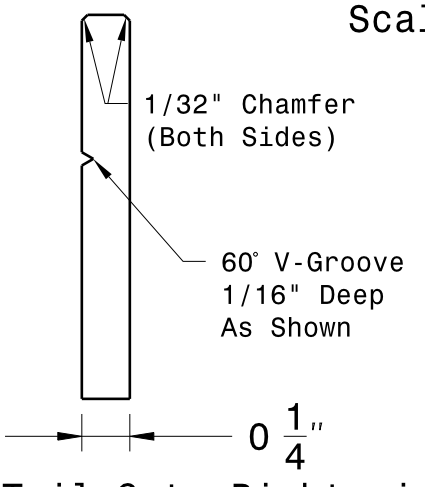
Bed Side Front view  
Scale: 1:1



Bed Side Right view  
Scale: 1:1

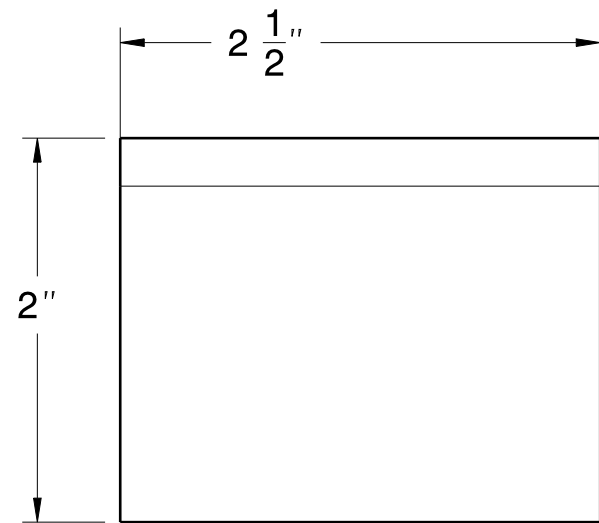


Tail Gate Front view  
Scale: 1:1

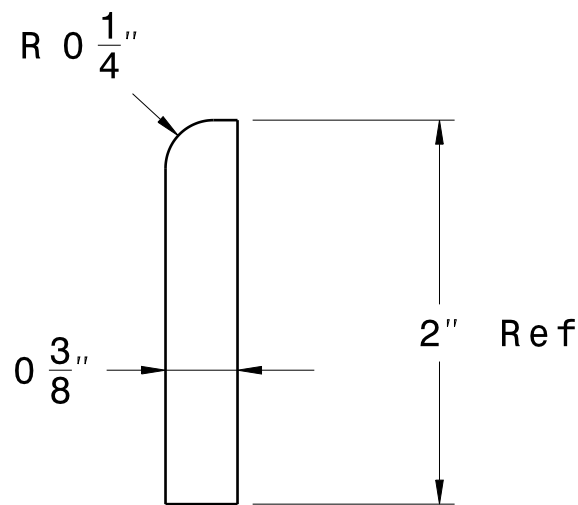


Tail Gate Right view  
Scale: 1:1

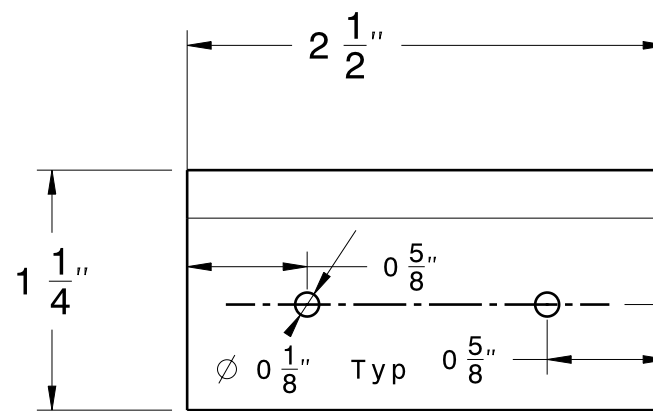
DRAWN BY <b>D R McCagg</b>		DATE 20MAR2022		DRAWING TITLE <b>Berg's Delivery Truck</b>			
CHECKED BY <b>R. Bergethon</b>		DATE 18APR2022		SIZE <b>B</b>	DRAWING NUMBER <b>Bergs Toy Truck 3-12-22</b>		REV <b>Rel</b>
DESIGNED BY <b>D R McCagg</b>		DATE 20MAR2022		SCALE <b>1:1</b>	WEIGHT (kg) <b>3.88</b>	SHEET <b>2/4</b>	



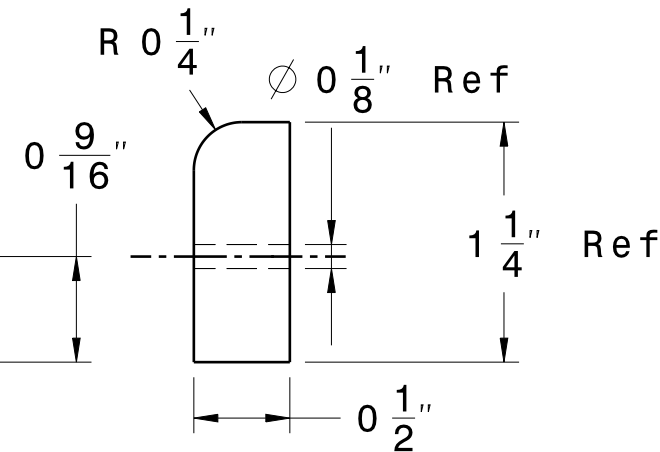
Seat Back Front view  
Scale: 1:1



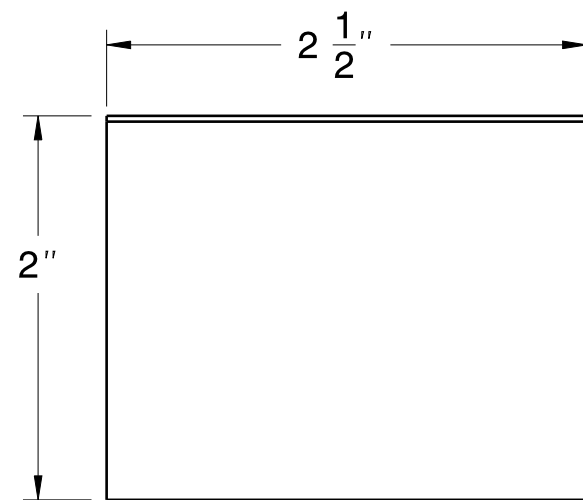
Seat Back Right view  
Scale: 1:1



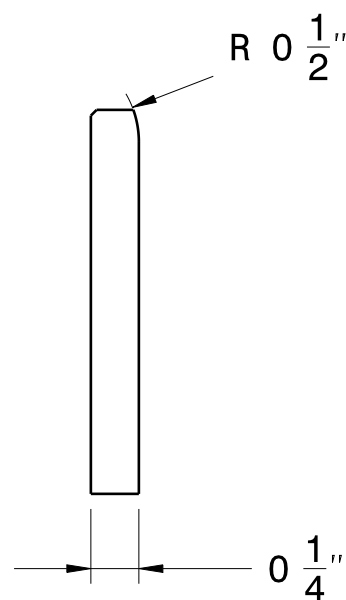
Seat Bottom Front view  
Scale: 1:1



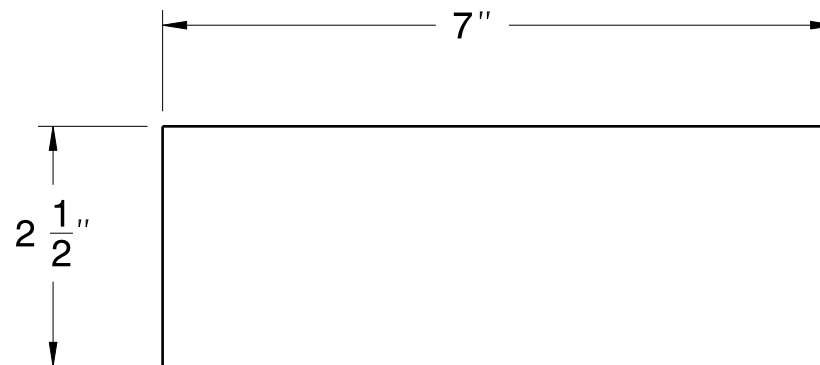
Seat Bottom Right view  
Scale: 1:1



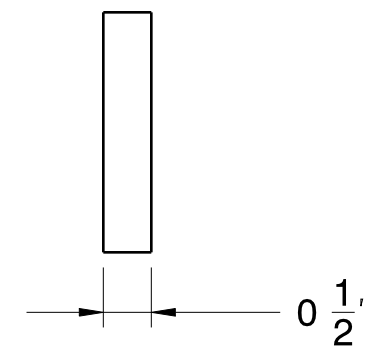
Grill Front view  
Scale: 1:1



Grill Right view  
Scale: 1:1

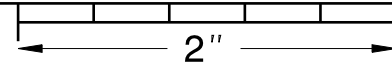


Bed Front view  
Scale: 1:2



Bed Right view  
Scale: 1:2

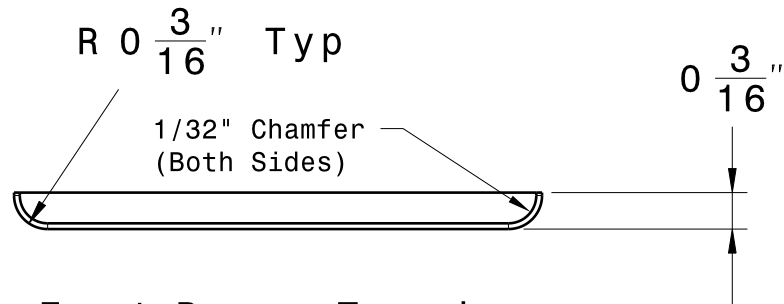
DRAWN BY D R McCagg		DATE 20MAR2022	DRAWING TITLE Berg's Delivery Truck			
CHECKED BY R. Bergethon		DATE 18APR2022	SIZE B	DRAWING NUMBER Bergs Toy Truck 3-12-22		REV Rel
DESIGNED BY D R McCagg		DATE 20MAR2022	SCALE 1:1	WEIGHT(kg) 3.88	SHEET 3/4	



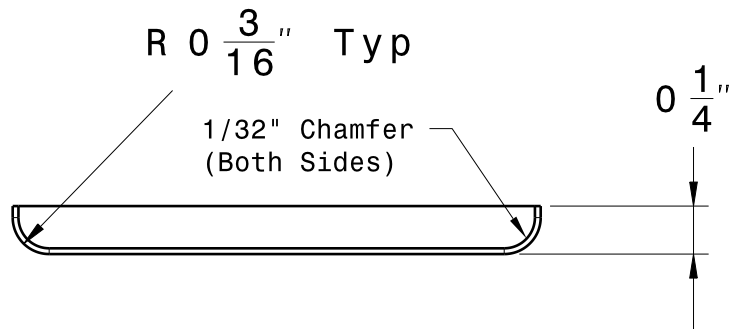
F E D C B A

6

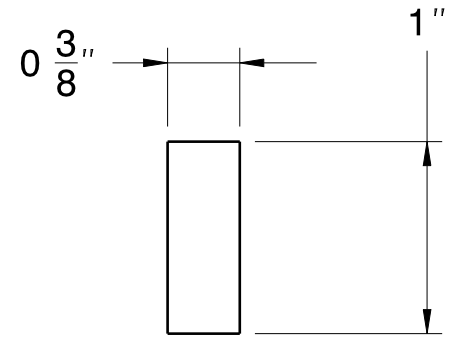
6



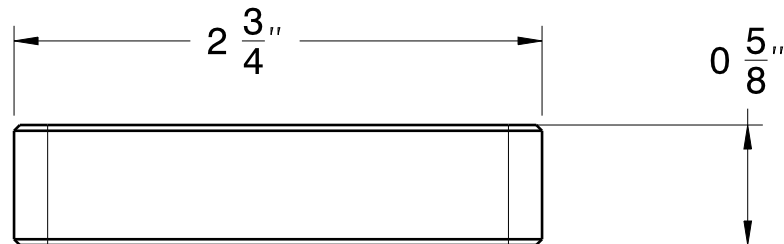
Front Bumper Top view  
Scale: 1:1



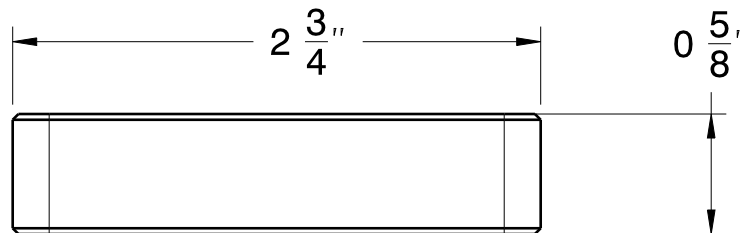
Rear Bumper Top view  
Scale: 1:1



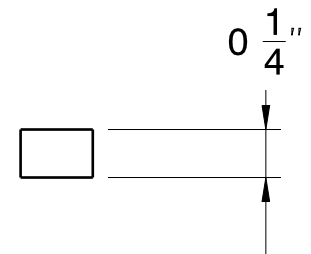
Bed Support Front view  
Scale: 1:1



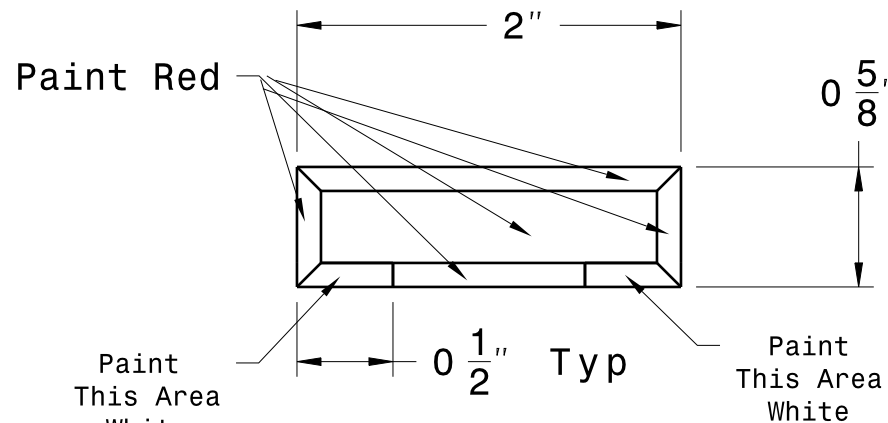
Front Bumper Front view  
Scale: 1:1



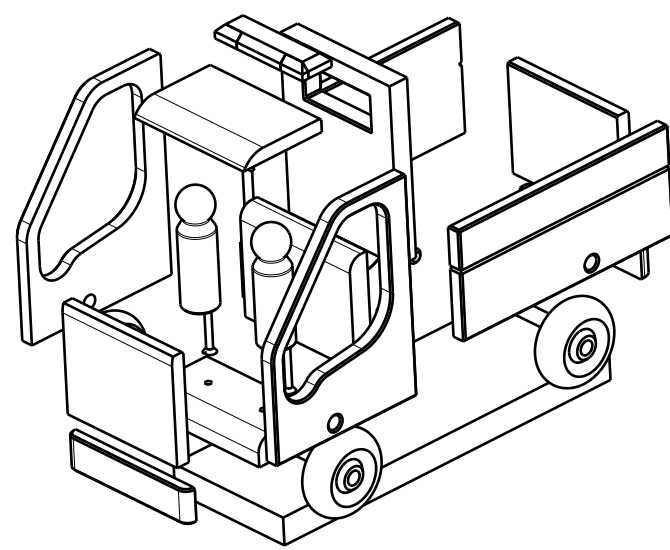
Rear Bumper Front view  
Scale: 1:1



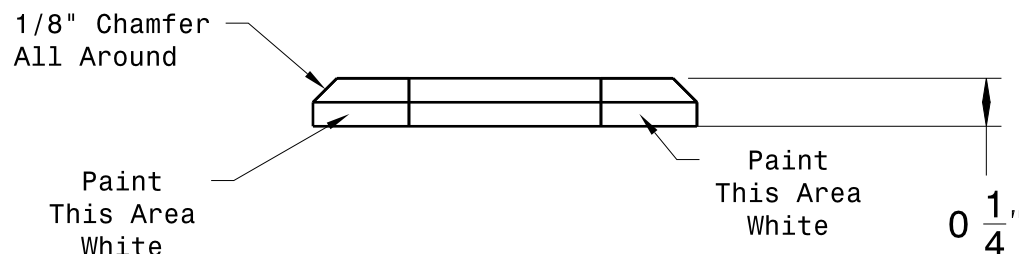
Bed Support Bottom view  
Scale: 1:1



Top Light Front view  
Scale: 1:1



Exploded Isometric view  
Scale: 1:3



Top Light Bottom view  
Scale: 1:1

DRAWN BY <b>D R McCagg</b>		DATE 20MAR2022		DRAWING TITLE <b>Berg's Delivery Truck</b>			
CHECKED BY <b>R. Bergethon</b>		DATE 18APR2022		SIZE <b>B</b>	DRAWING NUMBER <b>Bergs Toy Truck 3-12-22</b>		REV <b>Rel</b>
DESIGNED BY <b>D R McCagg</b>		DATE 20MAR2022		SCALE 1:1	WEIGHT (kg) 3.88	SHEET 4/4	

1

1

F A

