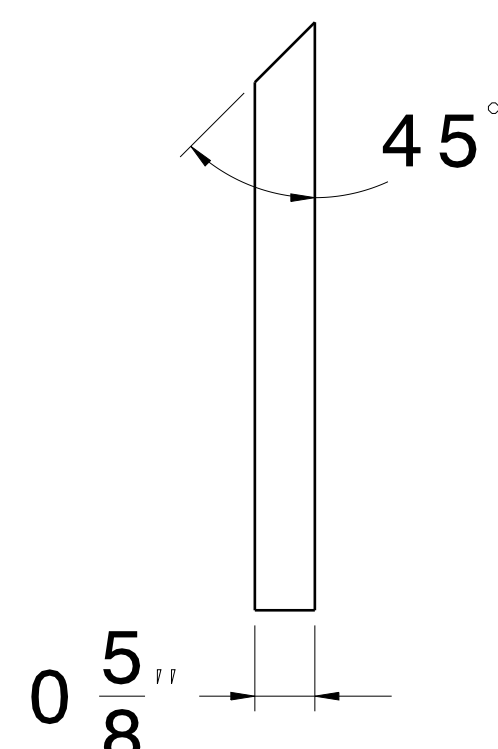
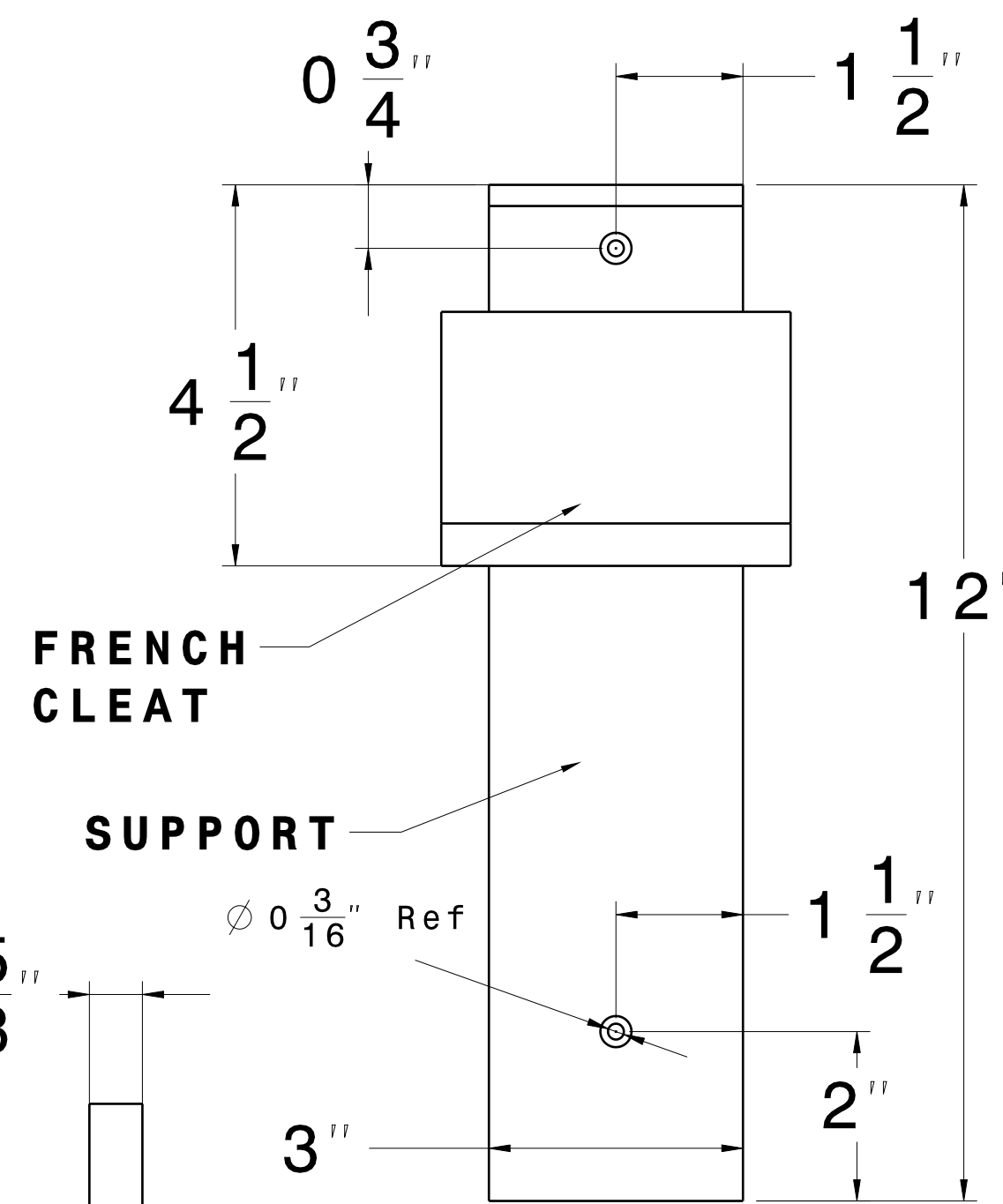


Roof Front view
Scale: 1:2



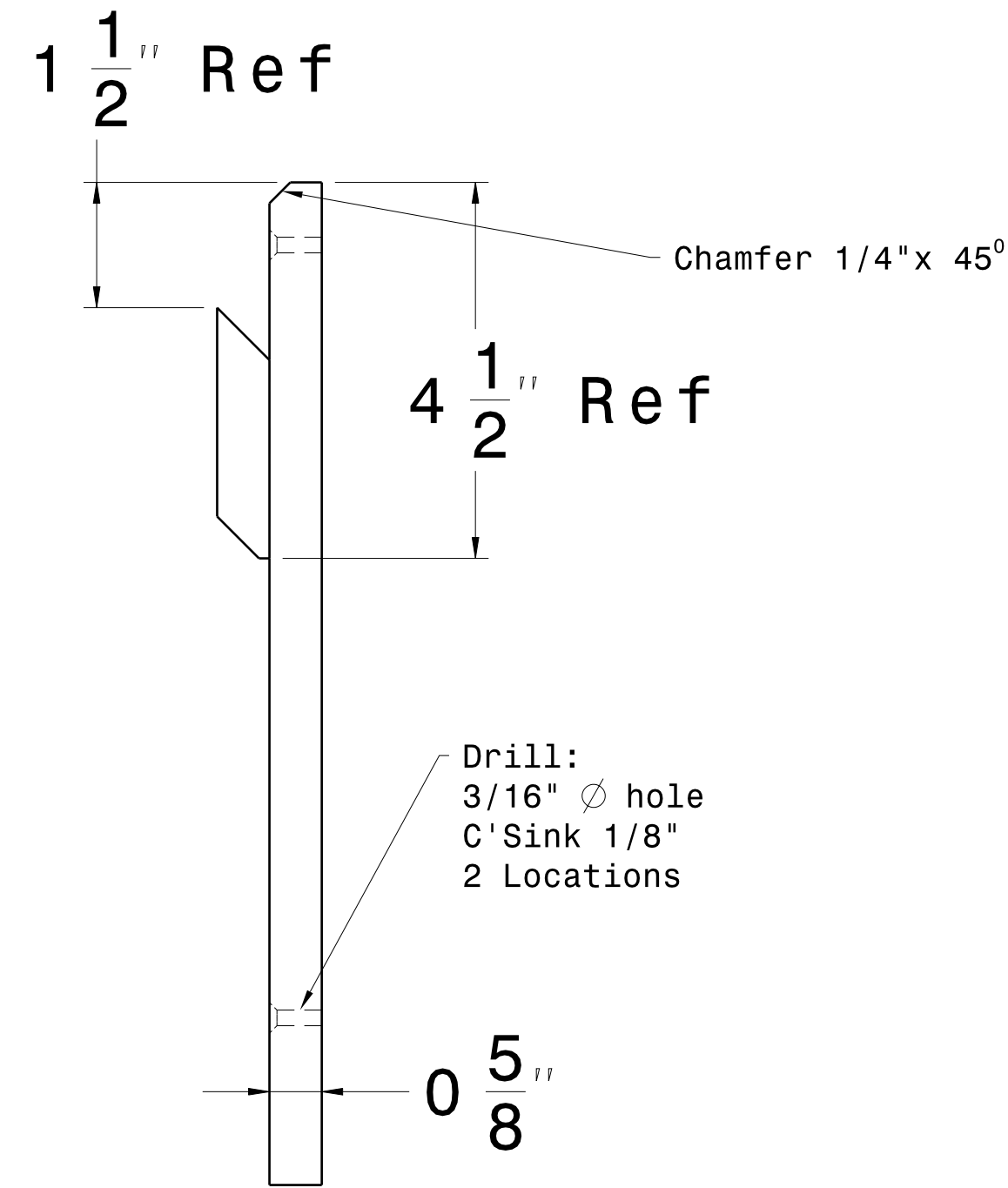
Roof Right view
Scale: 1:2



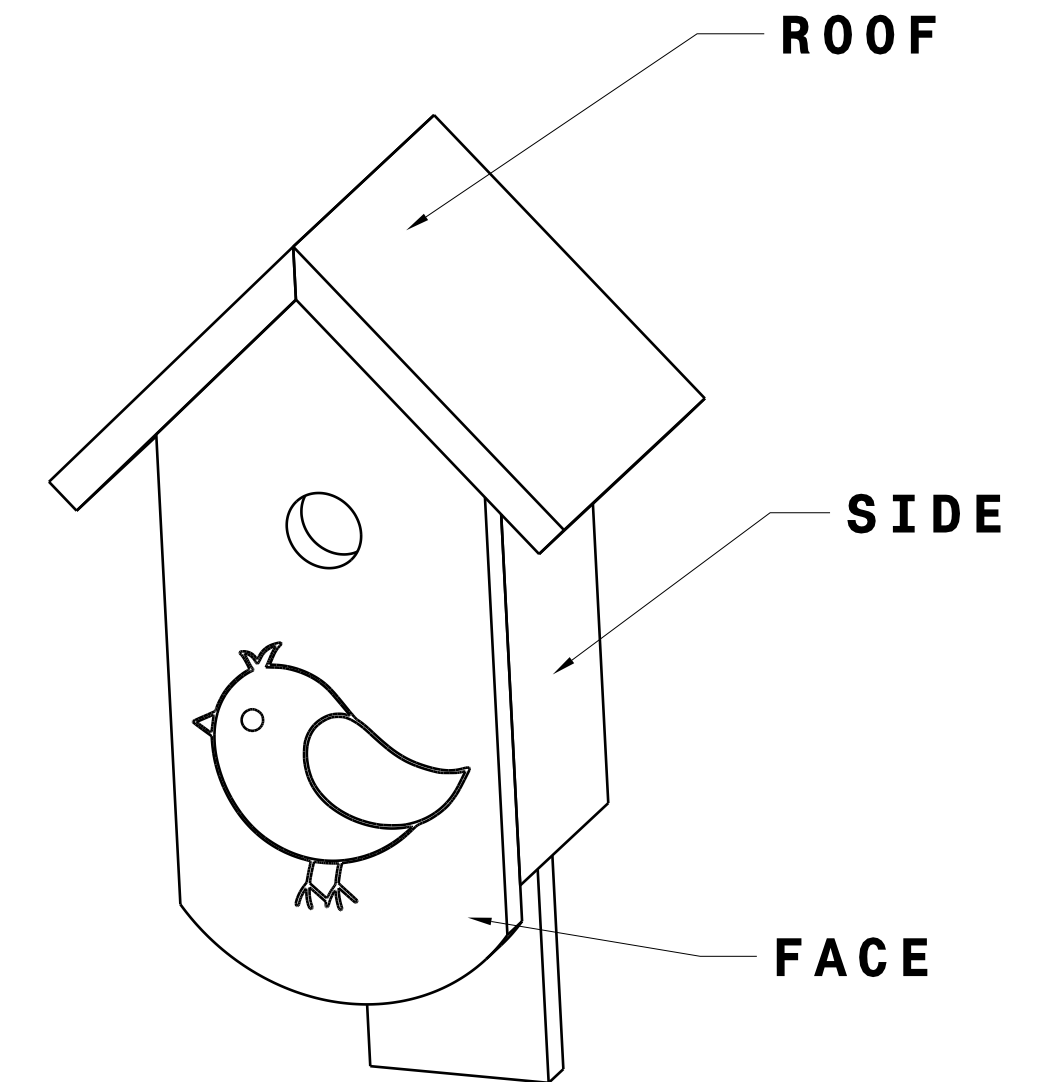
FRENCH CLEAT

SUPPORT

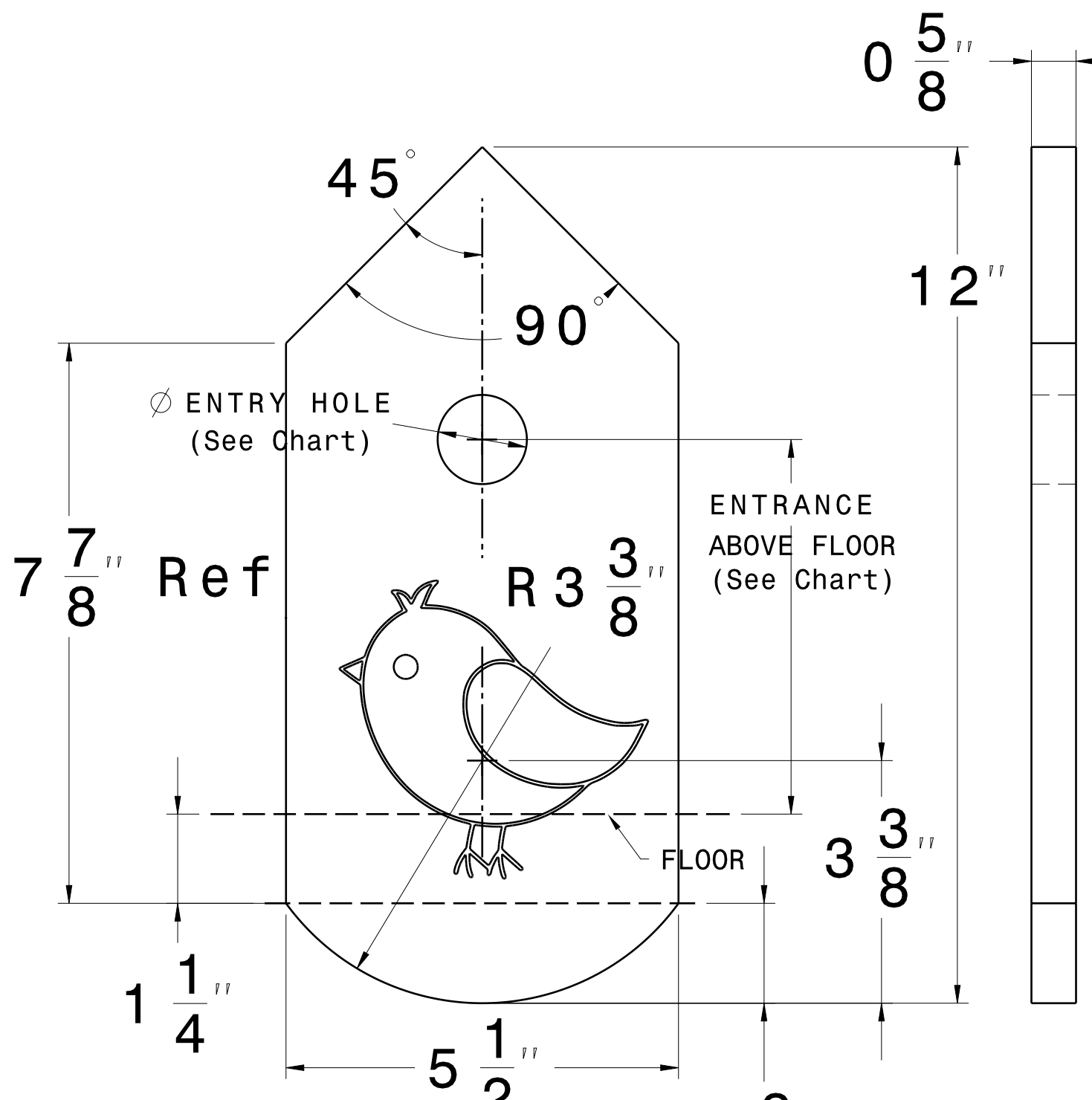
Support/Cleat Assy Front view
Scale: 1:2



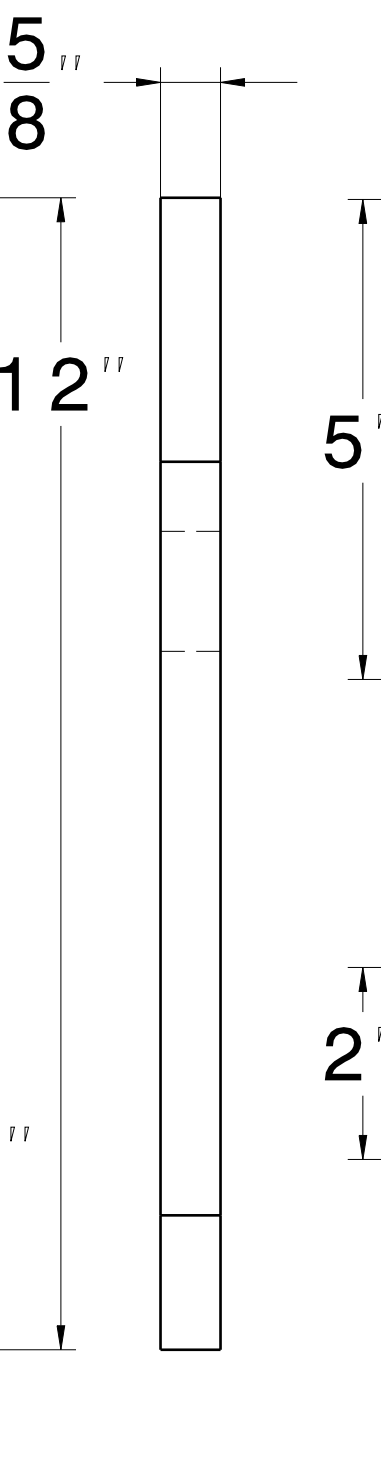
Support/Cleat Assy Right view
Scale: 1:2



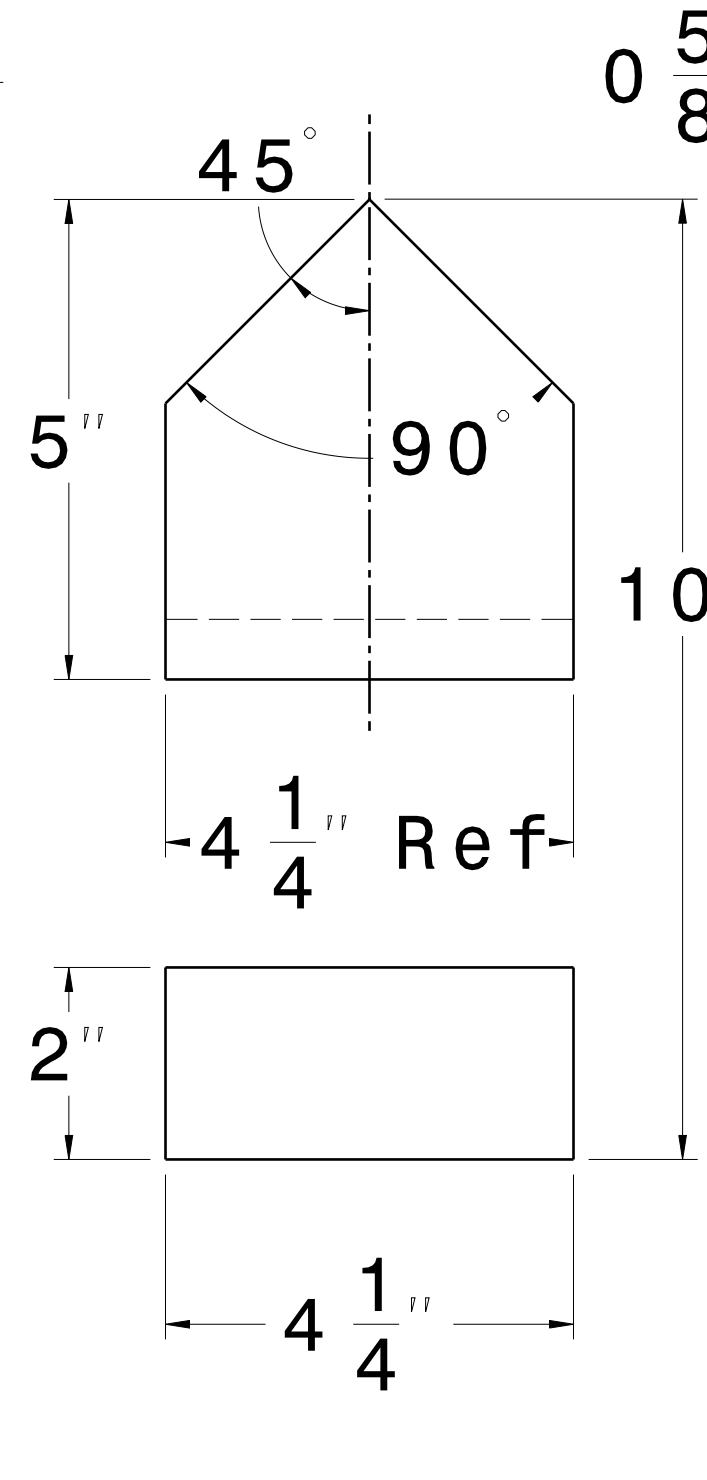
Assembly Isometric view
Scale: 1:3



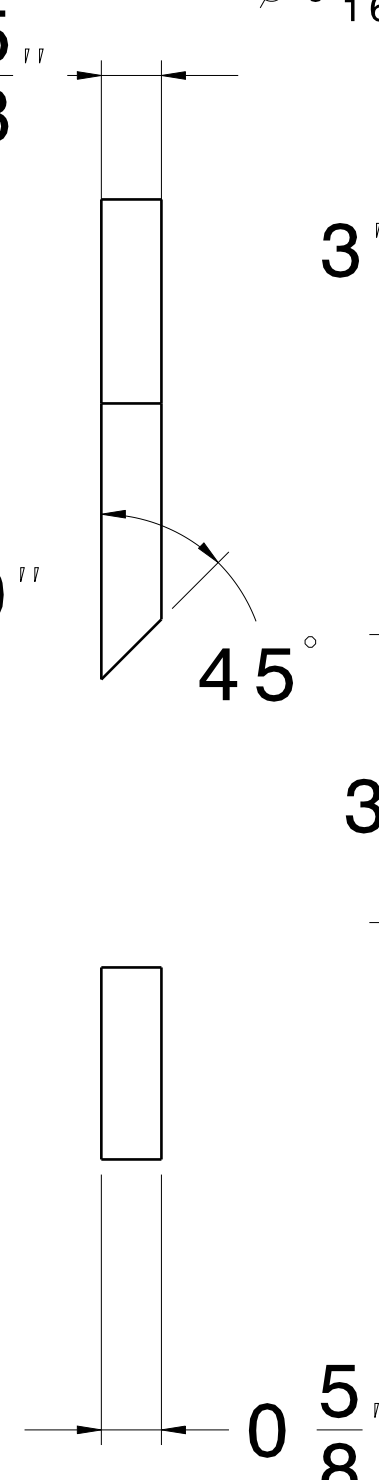
Face Front view
Scale: 1:2



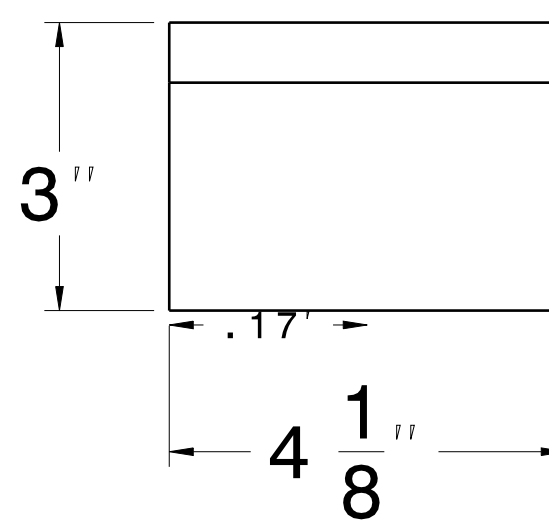
Face Right view
Scale: 1:2



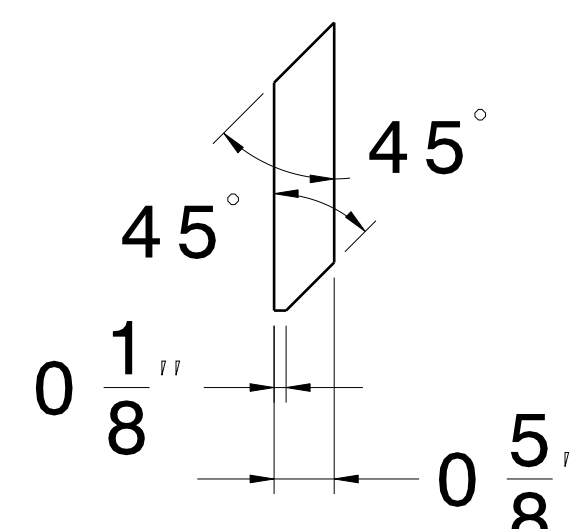
Back Front view
Scale: 1:2



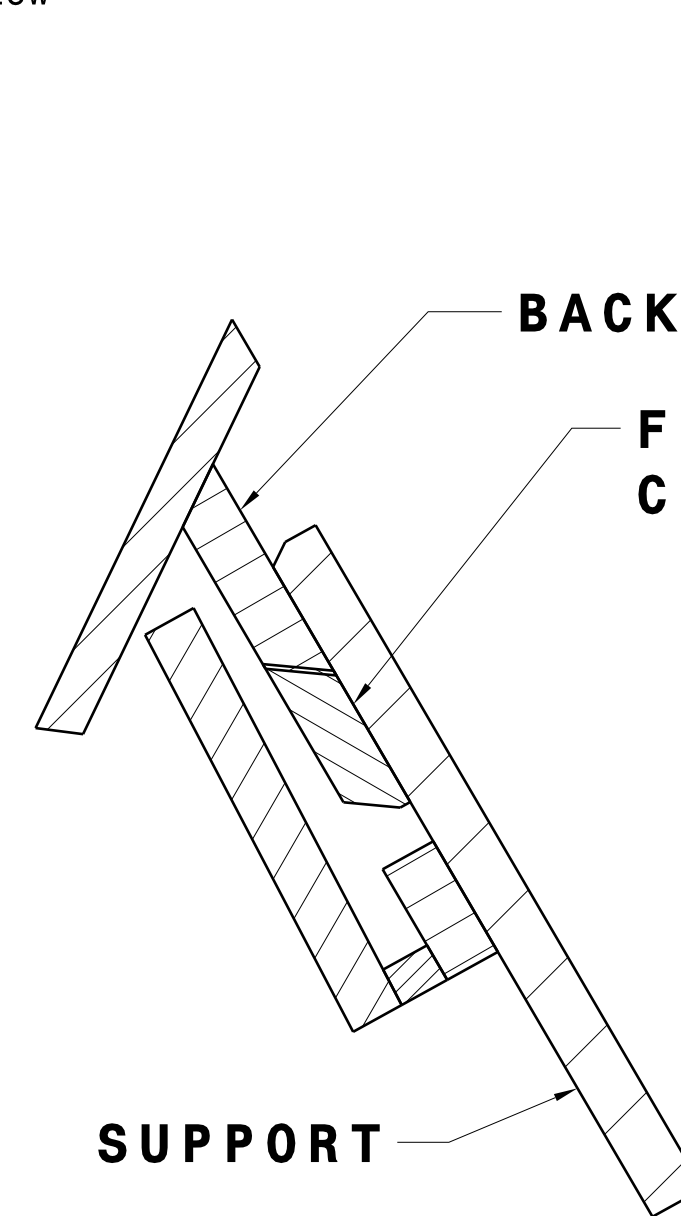
Back Right view
Scale: 1:2



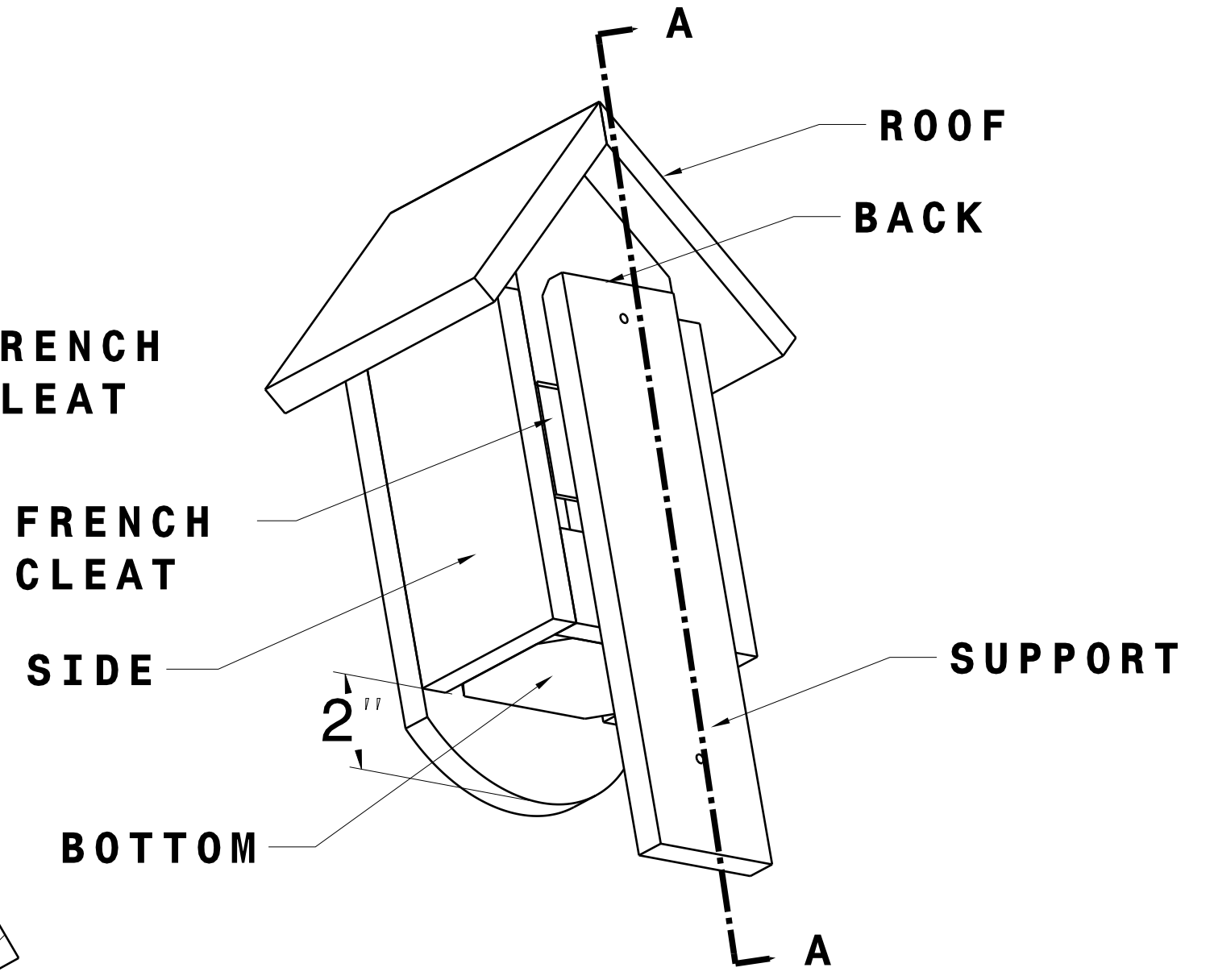
French Cleat Front view
Scale: 1:2



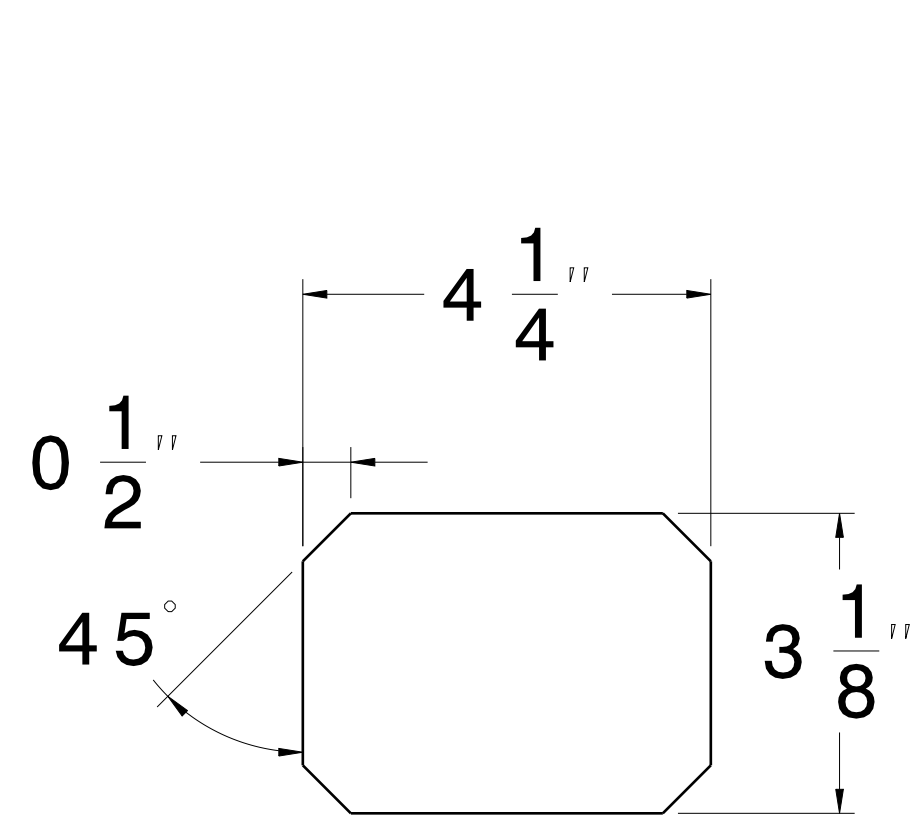
French Cleat Right view
Scale: 1:2



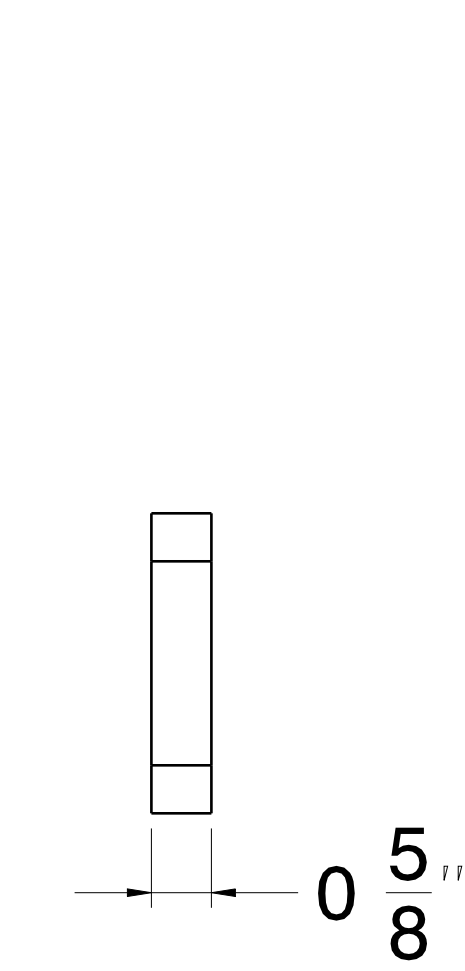
Section cut A-A
Scale: 1:3



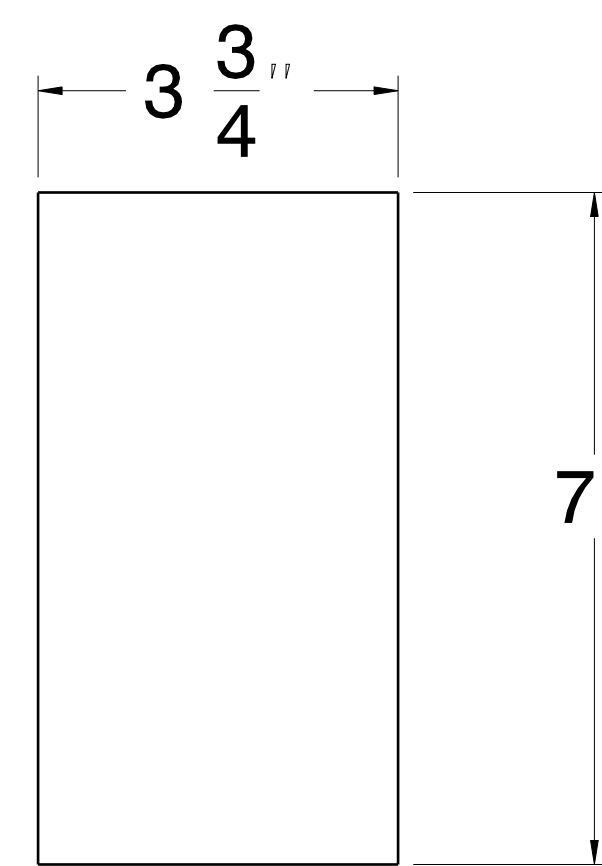
Assy Isometric back view
Scale: 1:3



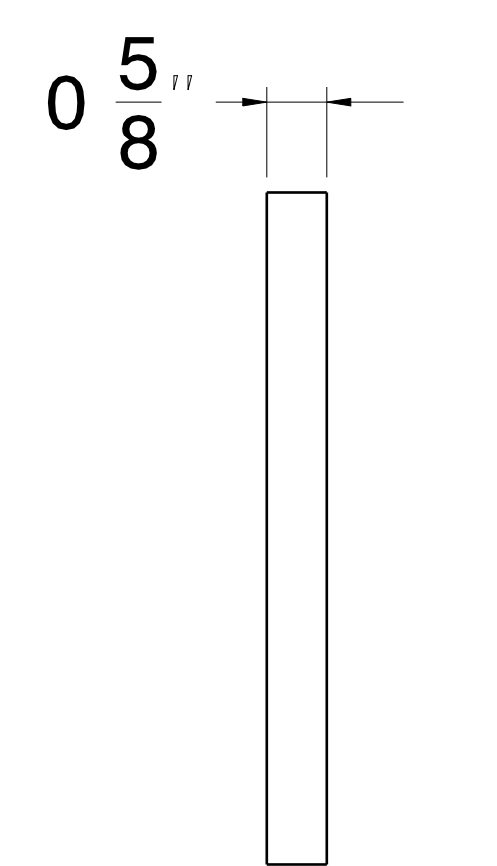
Bottom Front view
Scale: 1:2



Bottom Right view
Scale: 1:2



Side Front view
Scale: 1:2



Side Right view
Scale: 1:2

Species	Diameter of Entry Hole (in)	Entrance Above Floor (in)	Height above Ground (ft)
Bluebird	1.5	6	4-7
Chickadee	1.125	6-8	6-10
Common Flicker	2.250	14-16	6-20
Hairy Woodpecker	1.5	9-12	12-20
Downy Woodpecker	1.25	6-8	6-20
Red-bellied Woodpecker	2	9-12	12-20
American Kestrel	3	9-12	10-30
Screech-Owl	3	9-12	10-30
Bewick's Wren	1-1.25	1-6	6-10
House Wren	1	1-6	6-10
Purple Martin	2	1	6-20
Tree Swallow	1.5	1-5	6-15
Violet-green Swallow	1.5	1-5	6-15
Tufted Titmouse	1.25	6-8	6-10
Wood Duck	4	18-20	12-40 or 2-5 over water

Chart Courtesy of Larry Last 20AUG2020

MATERIAL LIST			
Component Description	Number Req'd	Size	Material
Front	1	12" x 5-1/2" x 5/8"	Cedar
Roof	2	6-1/8" x 6" x 5/8"	Cedar
Back	1	7" x 4-1/4" x 5/8"	Cedar
Side	2	7" x 3-3/4" x 5/8"	Cedar
Bottom	1	4-1/4" x 3-1/8" x 5/8"	Cedar
French Cleat (Back)	1	3-1/2" x 4-1/8" x 5/8"	Cedar
Support	1	12" x 3" x 5/8"	Cedar

This drawing is our property. It can't be reproduced or communicated without our written agreement.

D R McCAGG DRAWINGS

DRAWING TITLE				
CAROL'S BIRD HOUSE				
DRAWN BY	DATE	SIZE	DRAWING NUMBER	REV
D R McCagg	1AUG2021	D	Carols Bird House 7-26-21	X
CHECKED BY	DATE	SCALE	WEIGHT (kg)	SHEET
XXX	XXX	1:2	22.40	1/1
DESIGNED BY	DATE			
D R McCagg	1AUG2021			