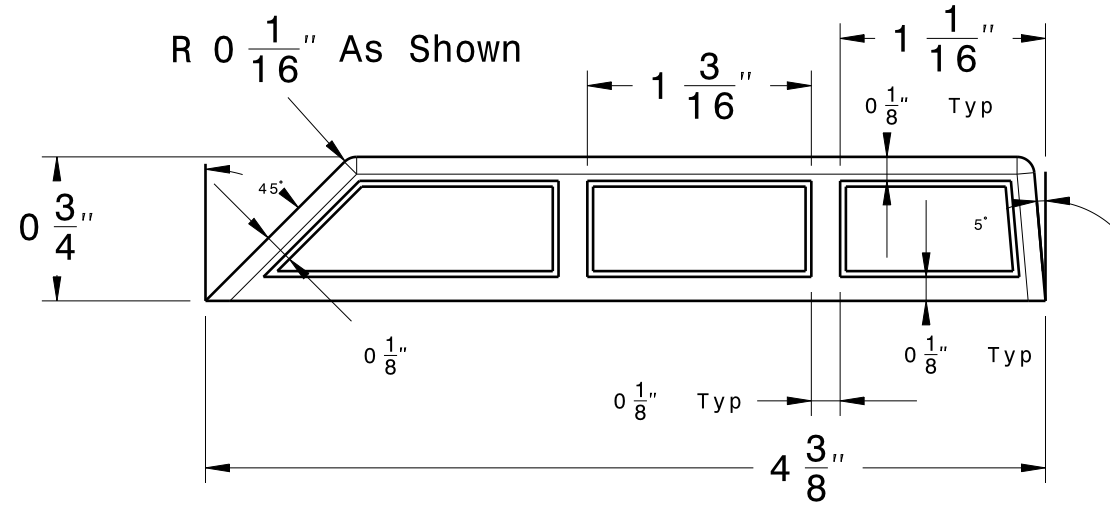
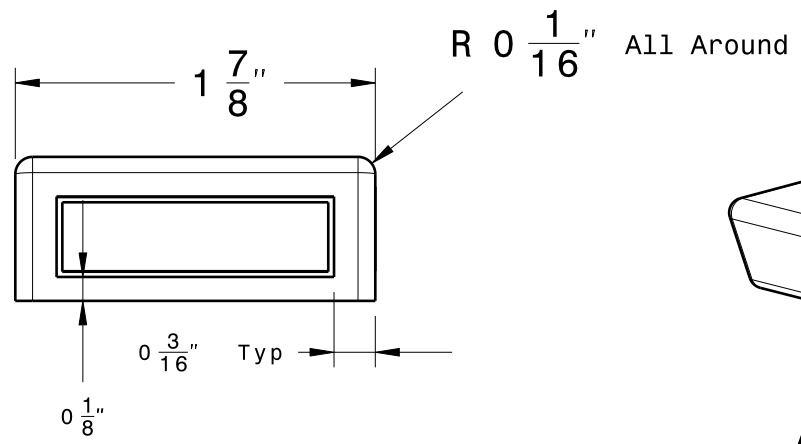


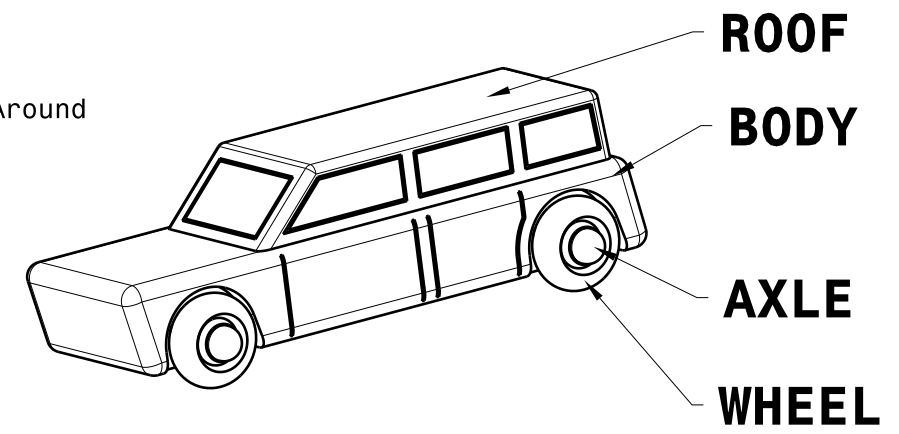
F E D C B A



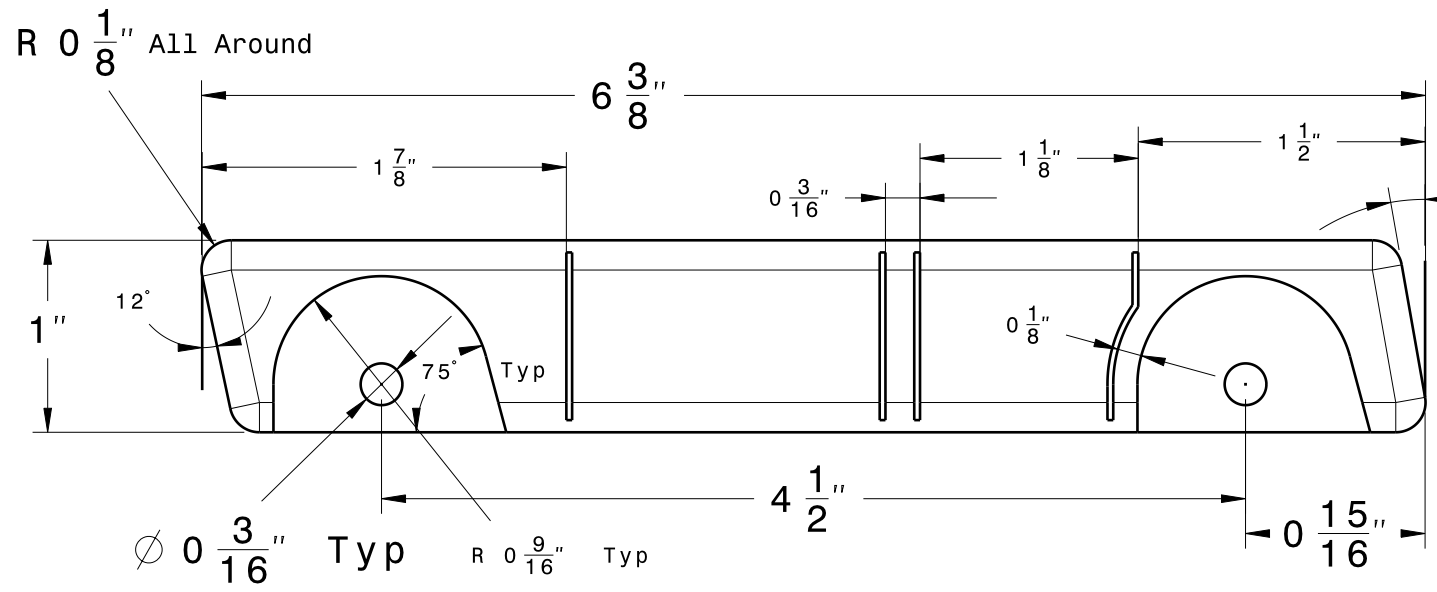
Roof Front view  
Scale: 1:1



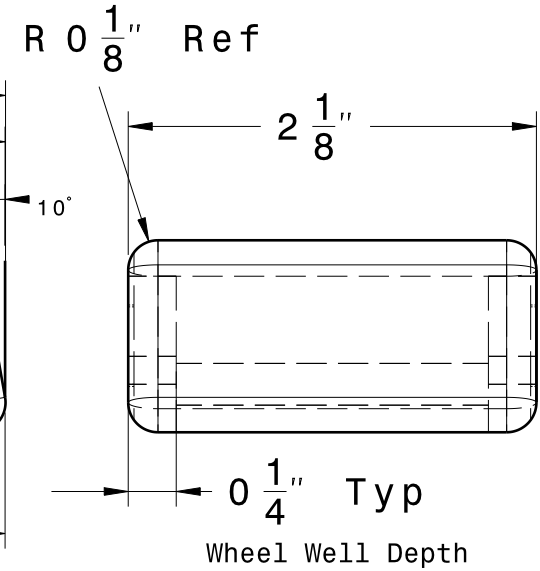
Roof Right view  
Scale: 1:1



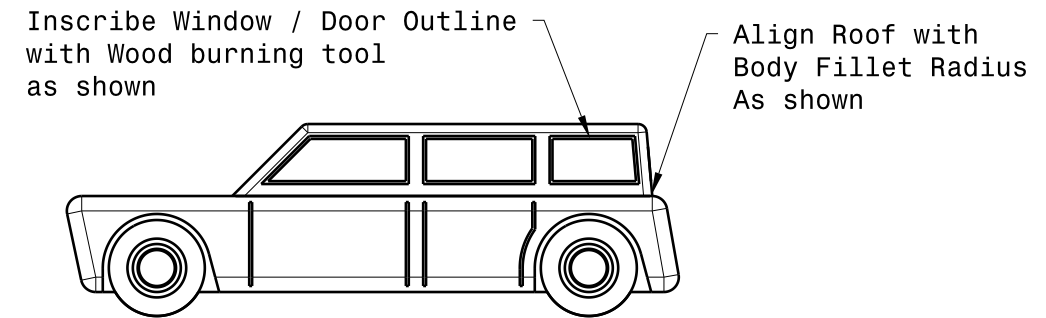
Assembly Isometric view  
Scale: 1:2



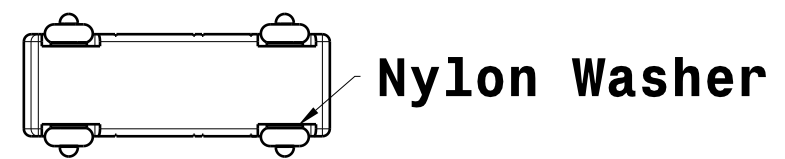
Body Front view  
Scale: 1:1



Body Right view  
Scale: 1:1



Assembly Front view  
Scale: 1:2



Assembly Bottom view  
Scale: 1:4

MATERIAL LIST			
Component Description	Number Req'd	Size	Material
Station Wagon Body	1	6-3/8" x 1" x 1-1/8"	Pine
Station Wagon Roof	1	4-3/8" X 3/4" X 1-7/8"	Pine
Axles	4	7/32" Dia. x 1" Long	Birch
Wheels	4	1" Dia.	Birch
Washer	4	7/32"	Nylon

This drawing is our property. It can't be reproduced or communicated without our written agreement.

DRAWN BY D R McCagg	DATE 5APR2021
CHECKED BY XXX	DATE XXX
DESIGNED BY D R McCagg	DATE 5APR2021

DAN HOLOWICKI DESIGN			
DRAWING TITLE Dan's Station Wagon			
SIZE B	DRAWING NUMBER Dans StationWagon 3-24-21	REV A	
SCALE 1:1	WEIGHT (kg) 2.43	SHEET 1/1	

0 3/8"

A