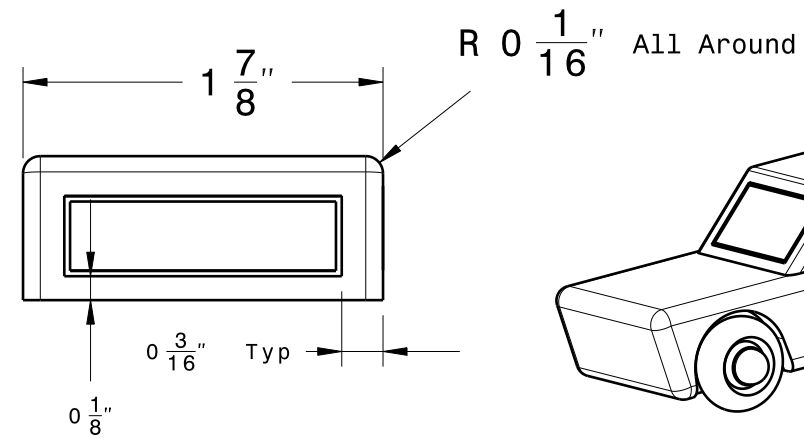
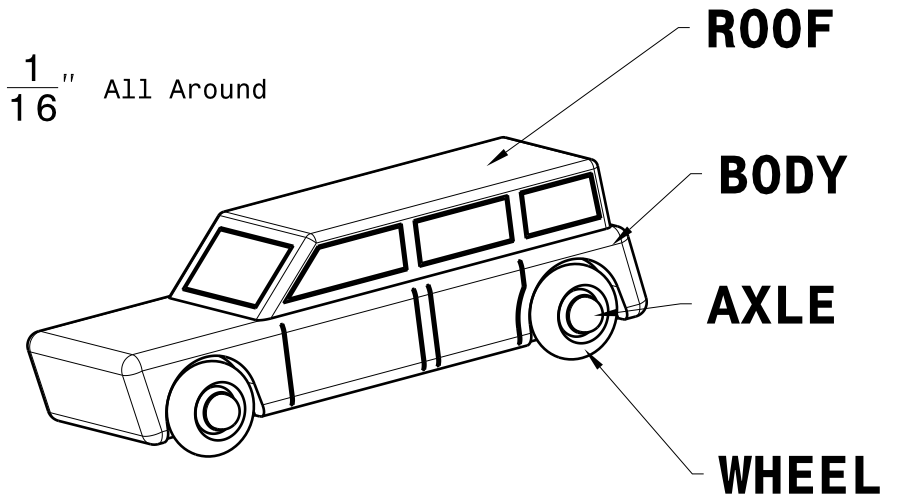


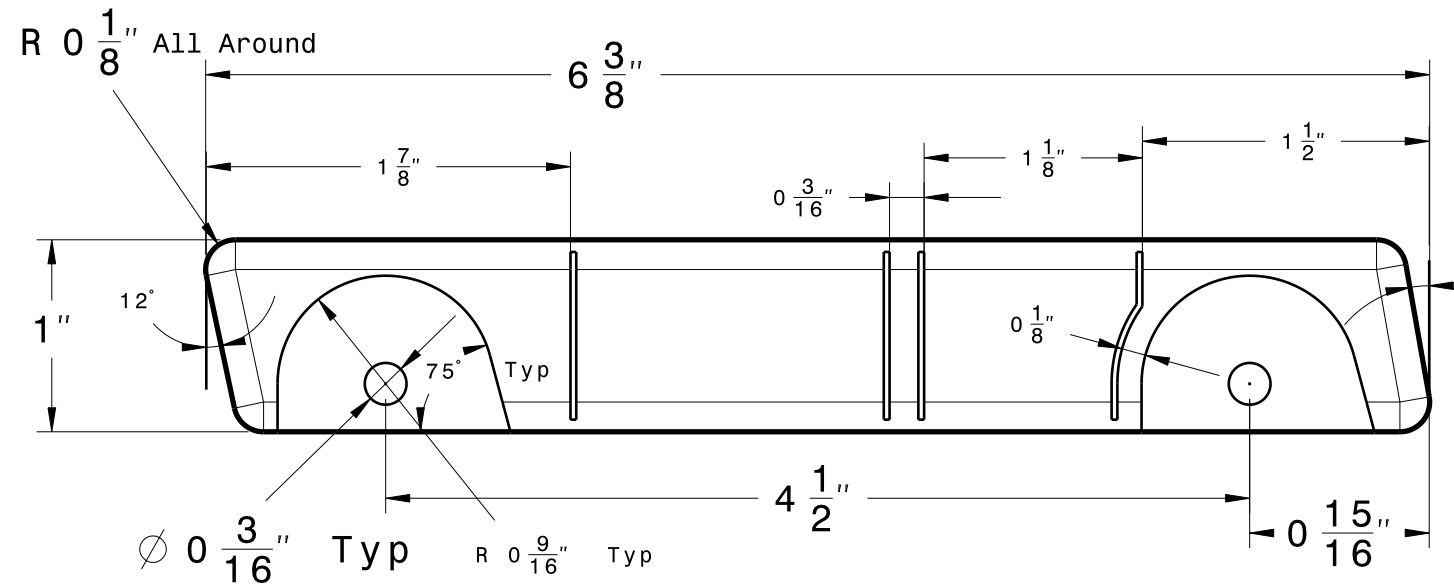
Roof Front view  
Scale: 1:1



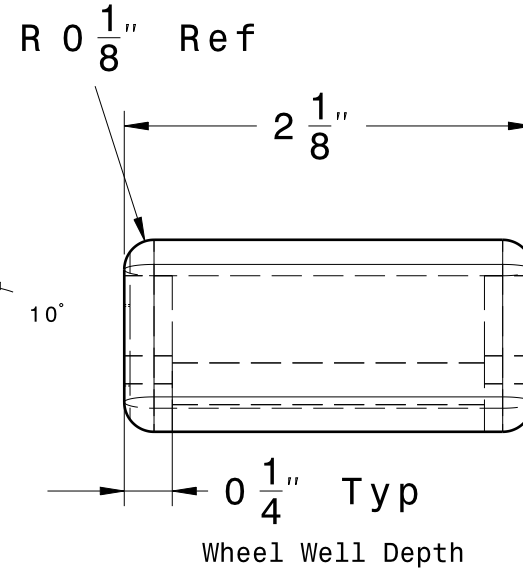
Roof Right view  
Scale: 1:1



Assembly Isometric view  
Scale: 1:2

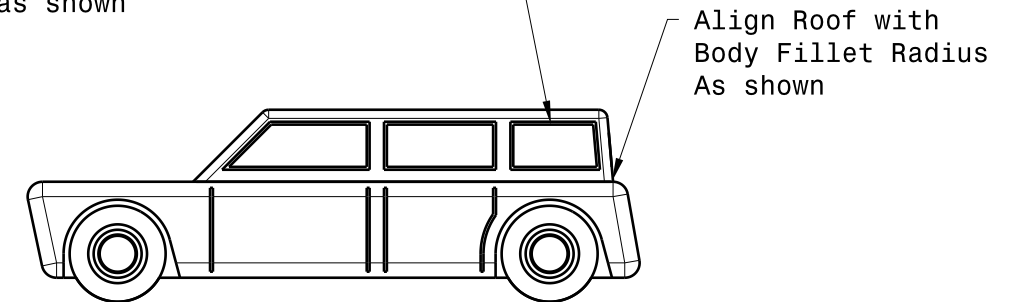


Body Front view  
Scale: 1:1



Body Right view  
Scale: 1:1

Inscribe Window / Door Outline  
with Wood burning tool  
as shown



Assembly Front view  
Scale: 1:2

MATERIAL LIST

Component Description	Number Req'd	Size	Material
Station Wagon Body	1	6-3/8" x 1" x 1-1/8"	Pine
Station Wagon Roof	1	4-3/8" X 3/4" X 1-7/8"	Pine
Axles	4	7/32" Dia. x 1" Long	Birch
Wheels	4	1" Dia.	Birch

This drawing is our property.  
It can't be reproduced  
or communicated without  
our written agreement.

DAN HOLOWICKI DESIGN

DRAWING TITLE

Dan's Station Wagon

DRAWN BY D R McCagg	DATE 5APR2021
CHECKED BY XXX	DATE XXX
DESIGNED BY D R McCagg	DATE 5APR2021

SIZE B	DRAWING NUMBER Dans StationWagon 3-24-21	REV Rel
SCALE 1:1	WEIGHT (kg) 2.43	SHEET 1/1

0 3/8"

A