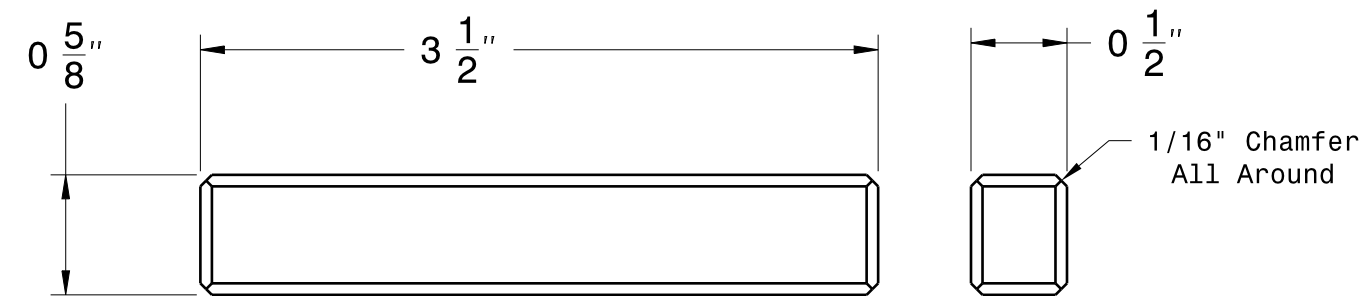
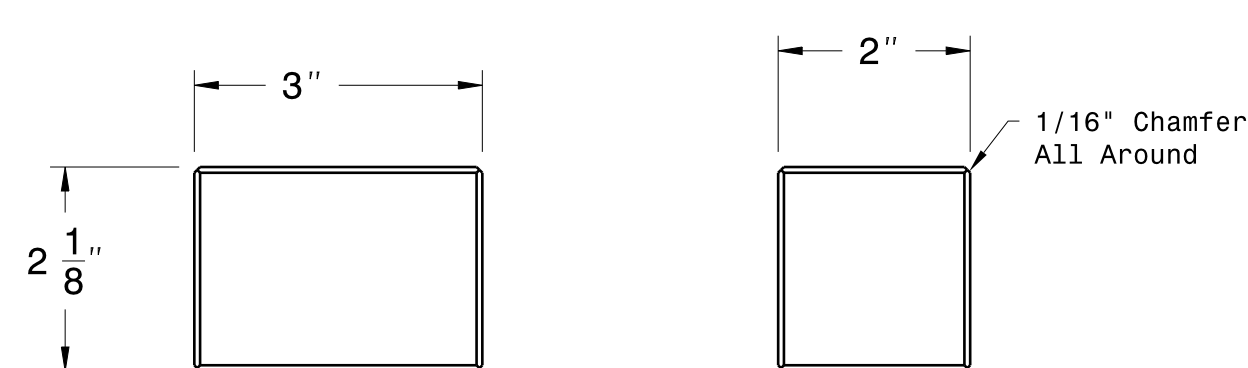


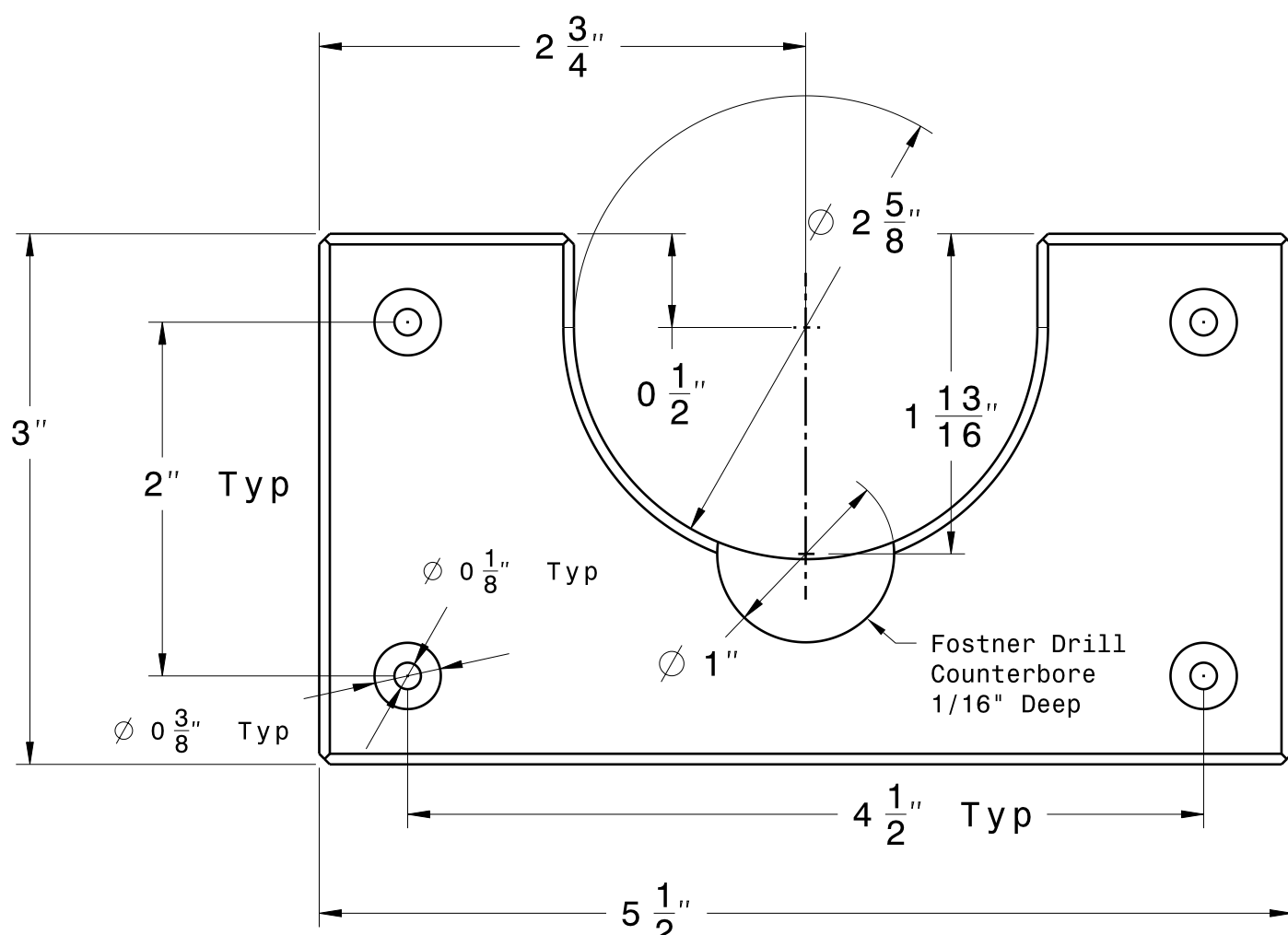
Base Front view Scale: 1:2  
Base Right view Scale: 1:2



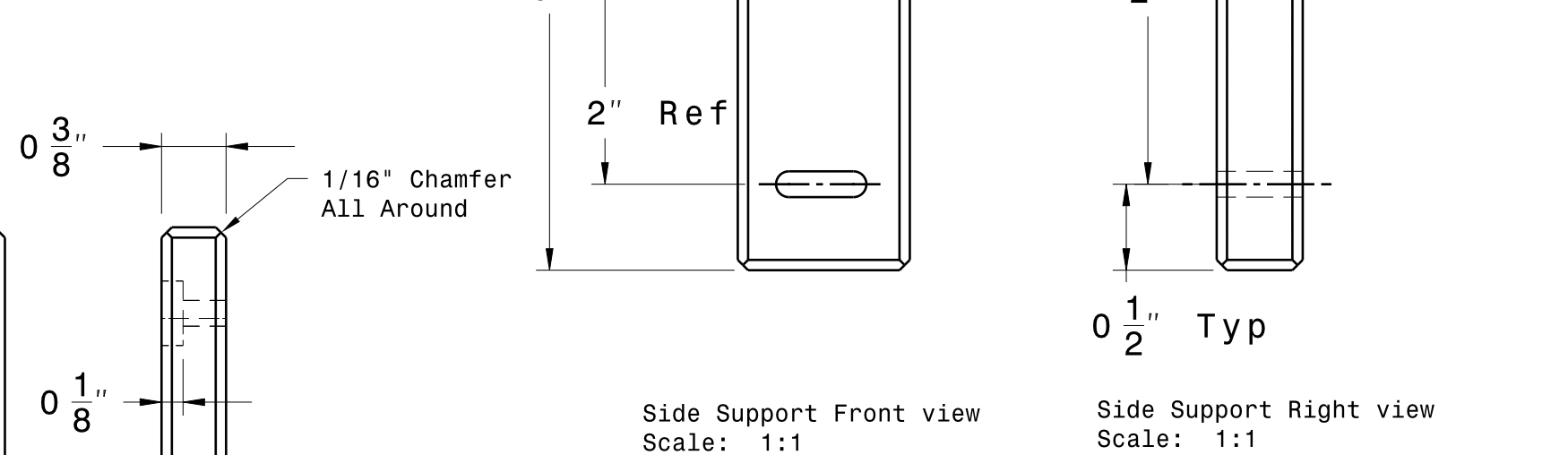
End Support Front view Scale: 1:1  
End Support Right view Scale: 1:1



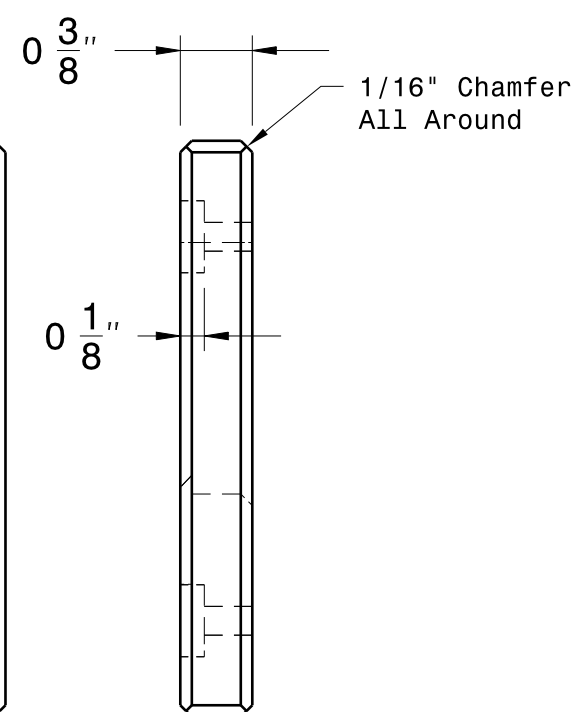
Toggle Clamp Block Front view Scale: 1:2  
Toggle Clamp Support Right view Scale: 1:2



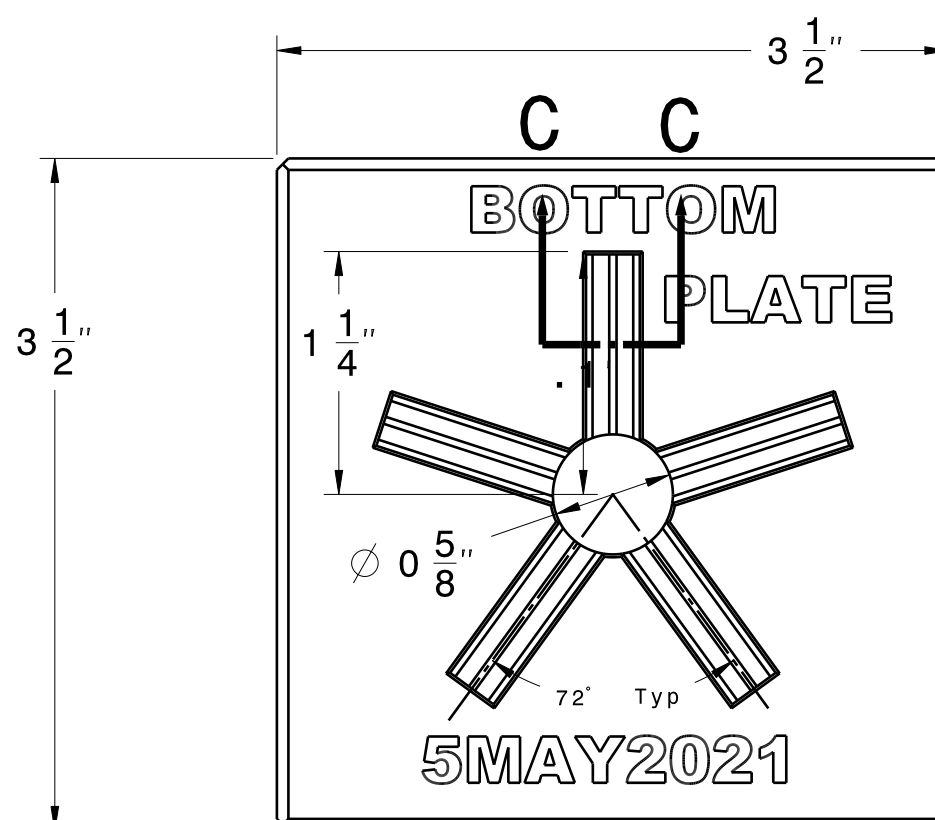
Machine Plate Front view Scale: 1:1  
Machine Plate Right view Scale: 1:1



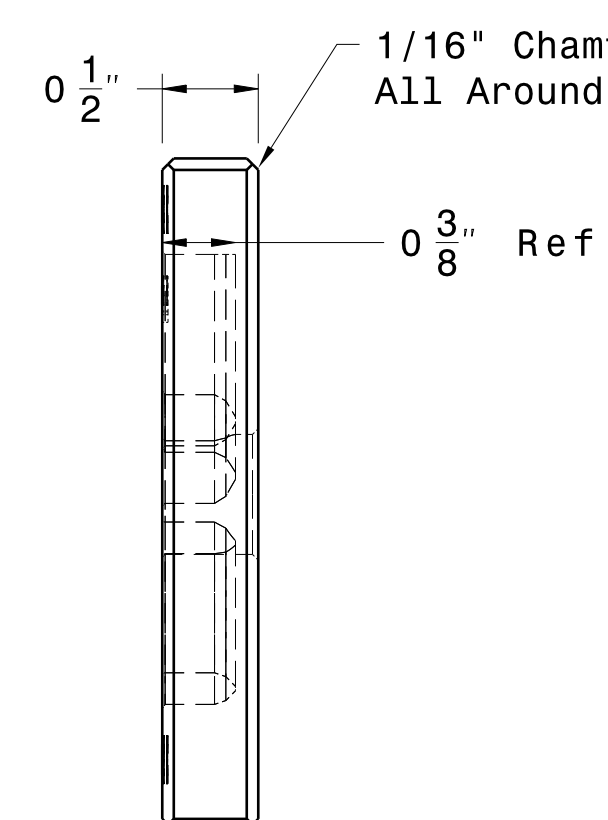
Side Support Front view Scale: 1:1  
Side Support Right view Scale: 1:1



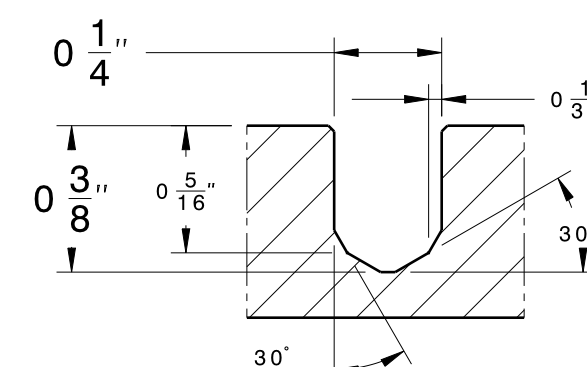
Machine Plate Right view Scale: 1:1



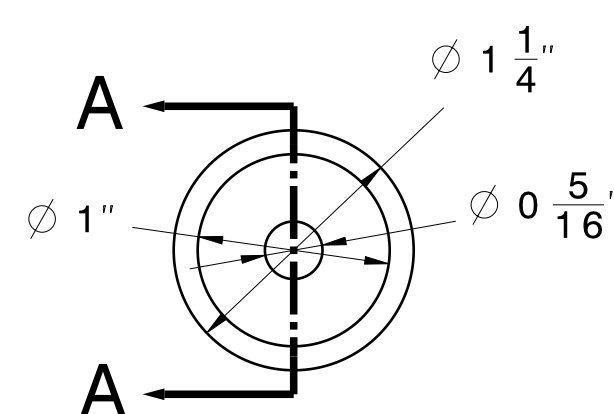
Bottom Plate Front view Scale: 1:1



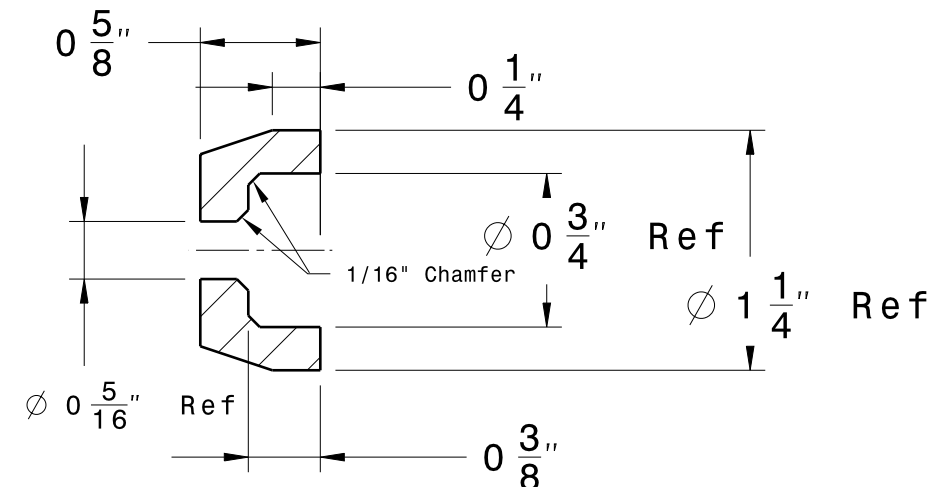
Bottom Plate Right view Scale: 1:1



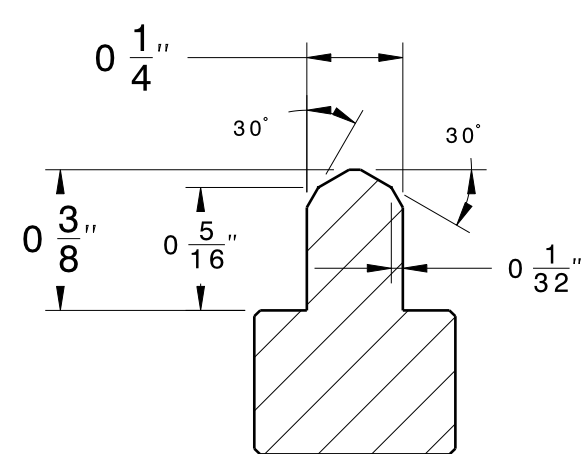
Bottom Plate Section cut C-C Scale: 2:1



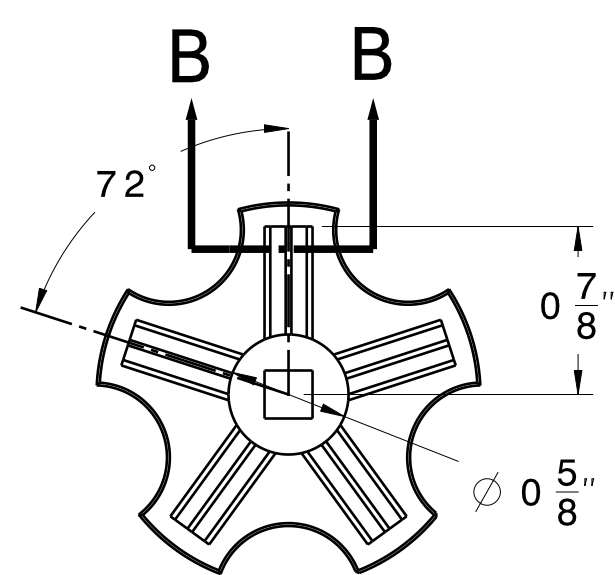
Hold Fast Front view Scale: 1:1



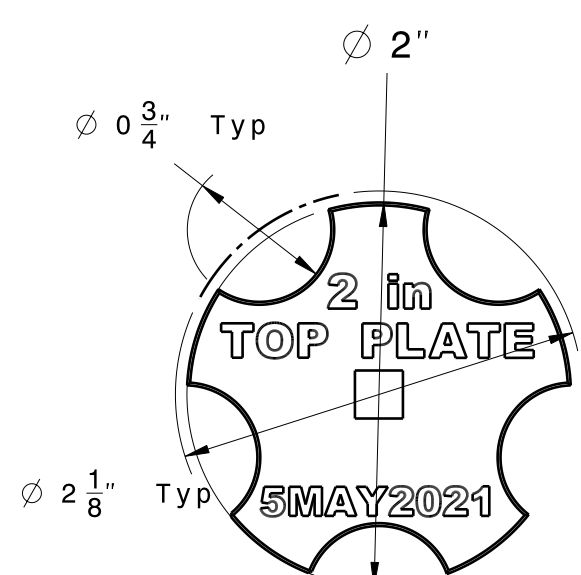
Hold Fast Section cut A-A Scale: 1:1



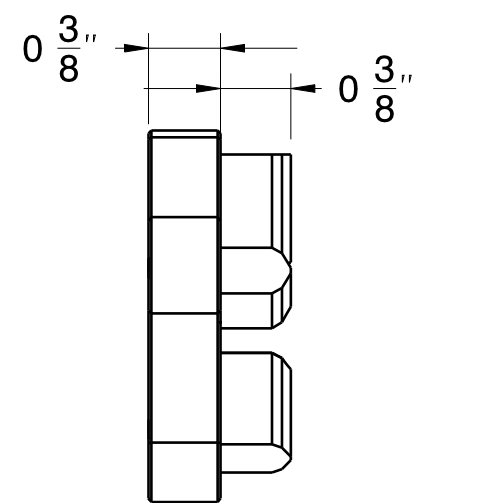
Section cut B-B Scale: 2:1



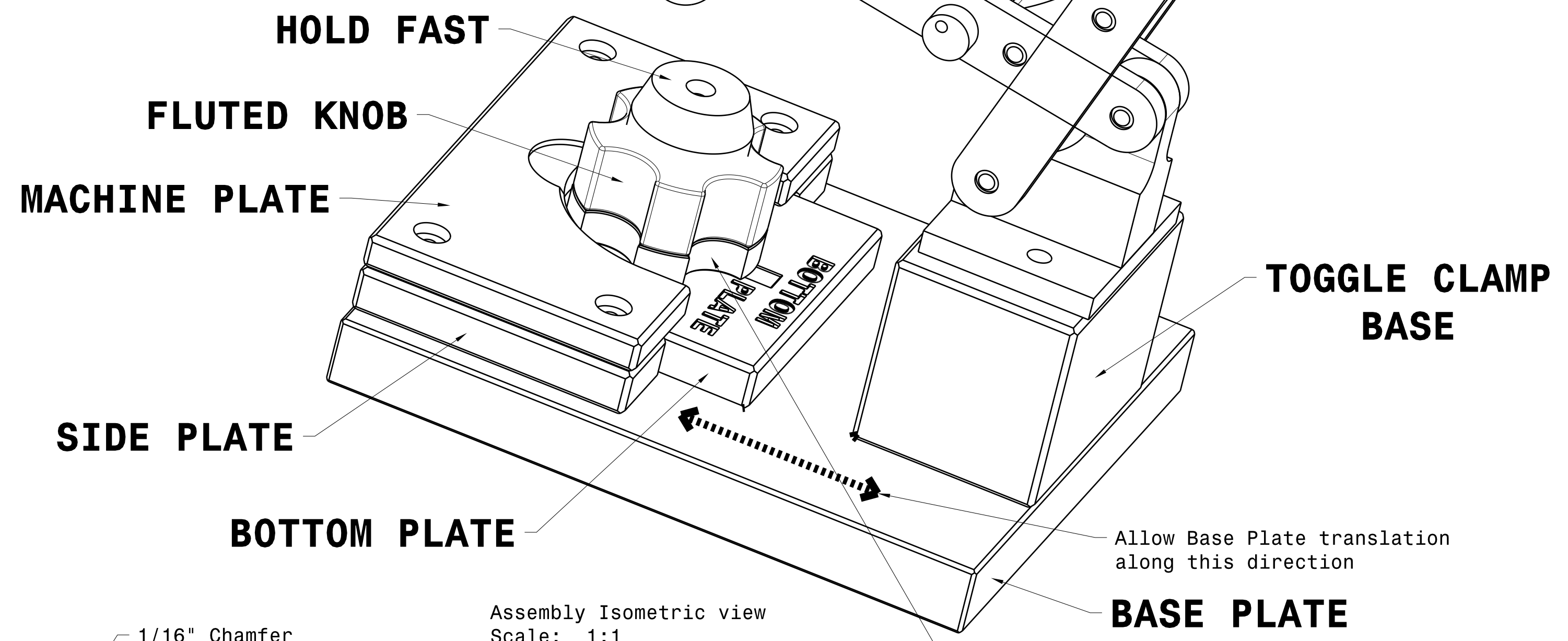
Top Plate Rear view Scale: 1:1



Top Plate Front view Scale: 1:1

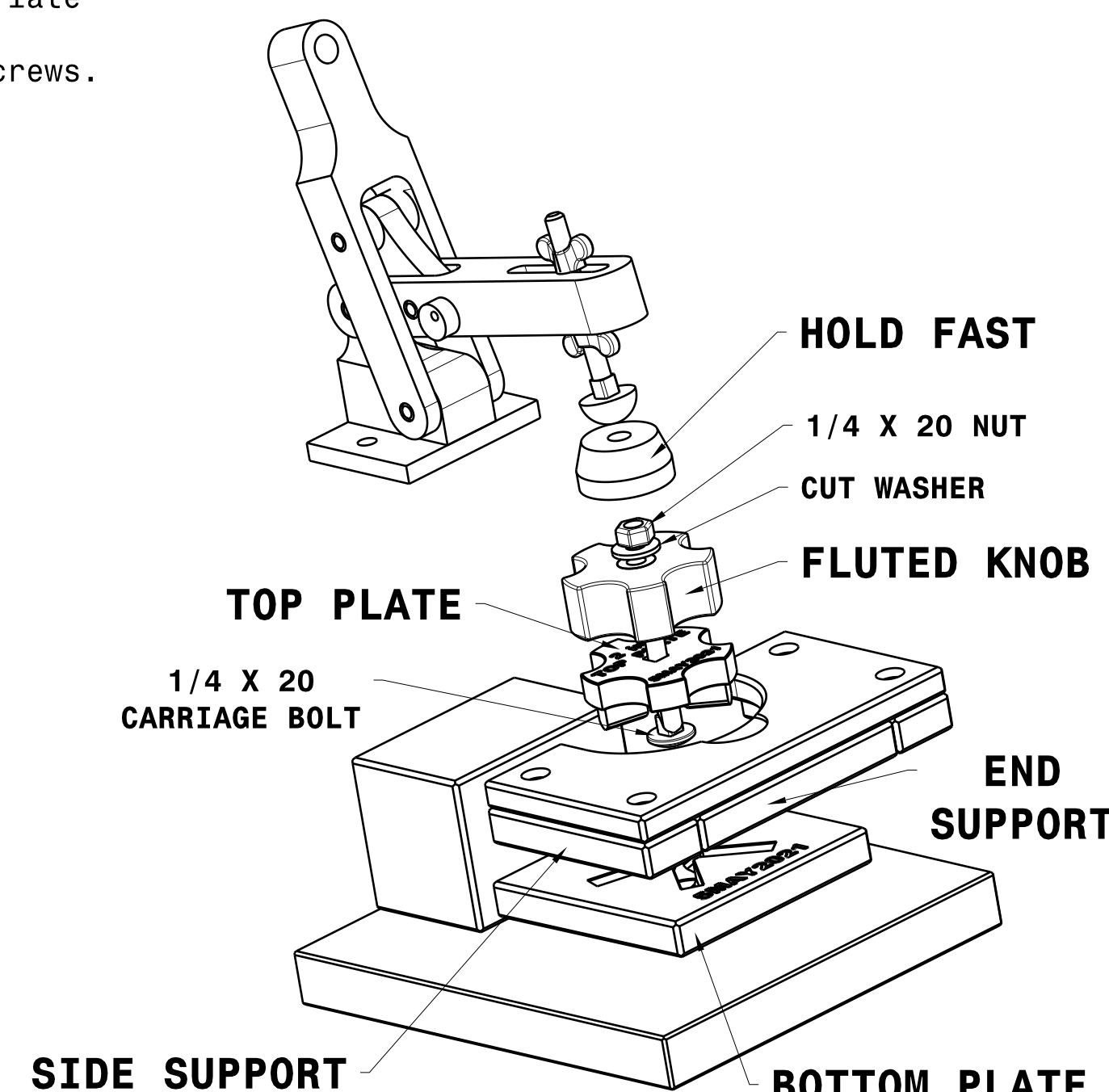


Top Plate Right view Scale: 1:1



Assembly Isometric view Scale: 1:1

Note: Adjust Fluted Knob OD by sliding Bottom Plate between Side Supports before locking down Machining Plate with appropriate pocket hole screws.



Assy Exploded Isometric view Scale: 1:2

MATERIAL LIST			
Component Description	Number Req'd	Size	Material
Base	1	7" x 6" x 3/4"	Birch Ply
End Support	1	5/8" x 3-1/2" x 1/2"	Birch Ply
Side Support	2	3" x 1" x 1/2"	Birch Ply
Machine Plate	1	5" x 3" x 3/8"	Birch Ply
Toggle Clamp Block	1	3" x 2-1/2" x 2" (Re-size as needed)	Pine
Toggle Clamp	1	4" Long - Purchased or Build your own	Steel or Wood
Bottom Plate	1	3-1/2" x 3-1/2" x 1/2"	PETG Plastic
Top Plate	1	2" Dia x 3/4"	PETG Plastic
Hold Fast	1	1-1/4" Dia x 5/8"	PETG Plastic
1/4" Lag Bolt	1	1/4" Dia. x 1-1/2" Long	CRS
1/4" Nut	1	1/4" X 20	CRS
1/4" Cut Washer	2	5/16"	CRS

This drawing is our property. It can't be reproduced or communicated without our written agreement.

D R McCagg Design

DRAWING TITLE				
Fluted Knob Machining Fixture				
DRAWN BY	DATE	SIZE	DRAWING NUMBER	REV
D R McCagg	5MAY2021	D	Daves_Fluted_Knob_Fixture_3-3-21	X
CHECKED BY	DATE	SCALE	WEIGHT (kg)	SHEET
XXX	XXX	1:1	9.00	1/1
DESIGNED BY	DATE			
D R McCagg	5MAY2021			