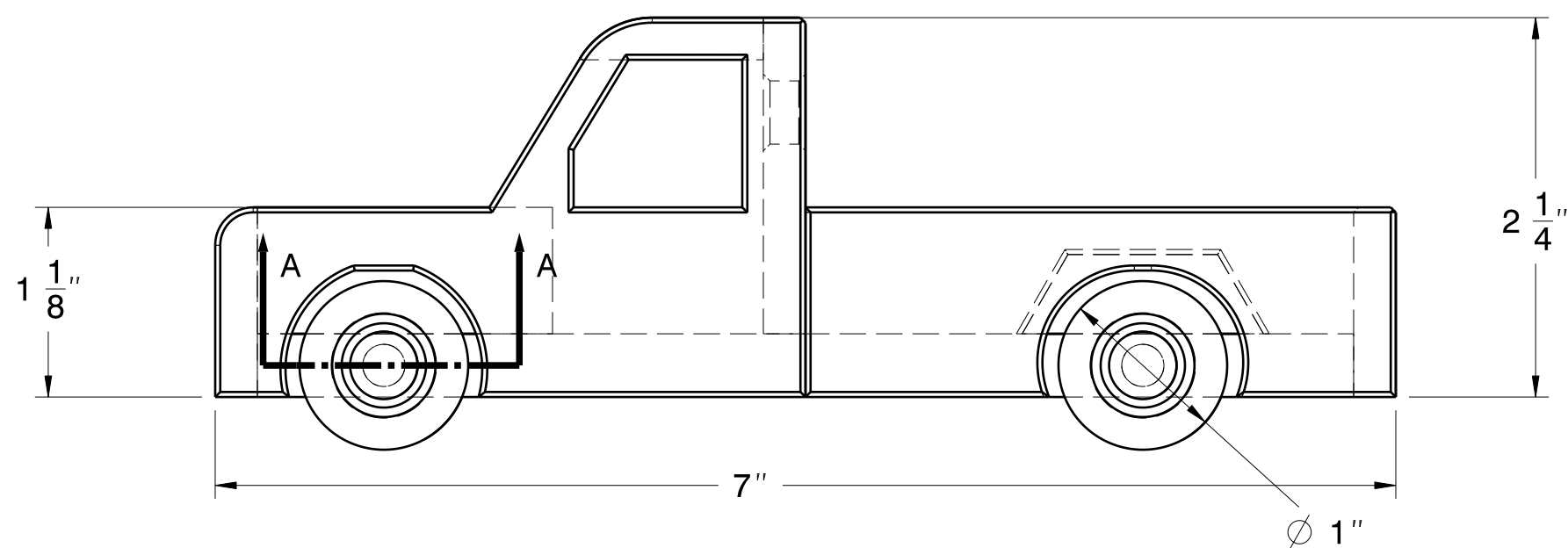
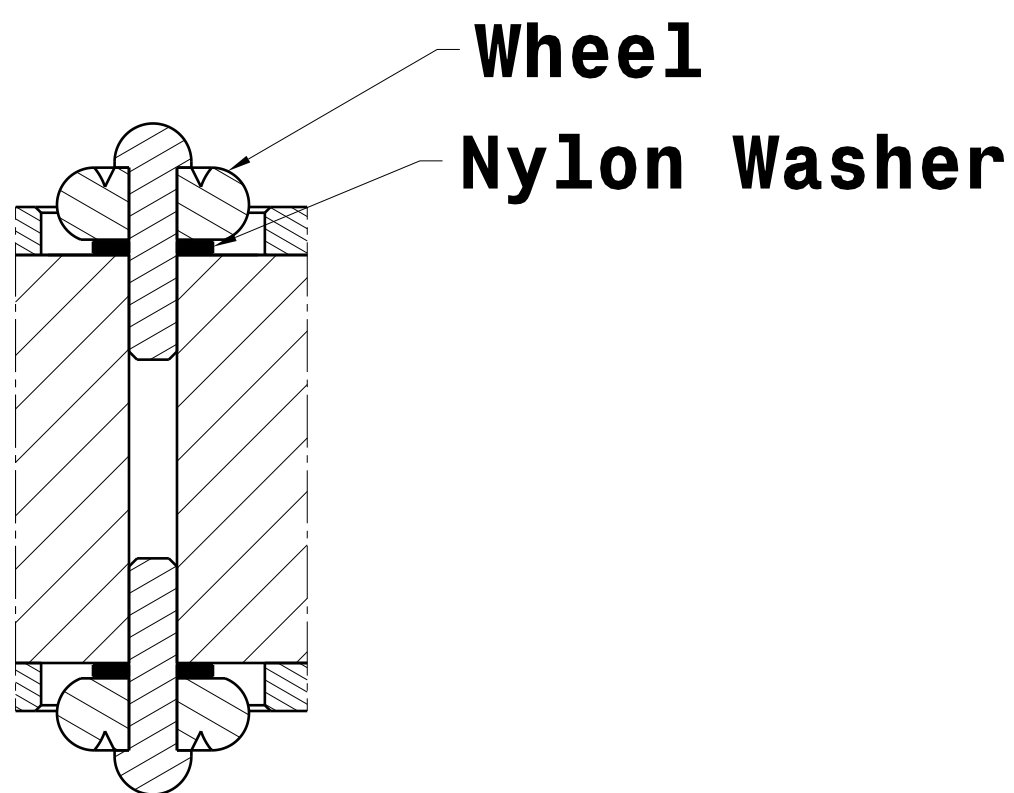


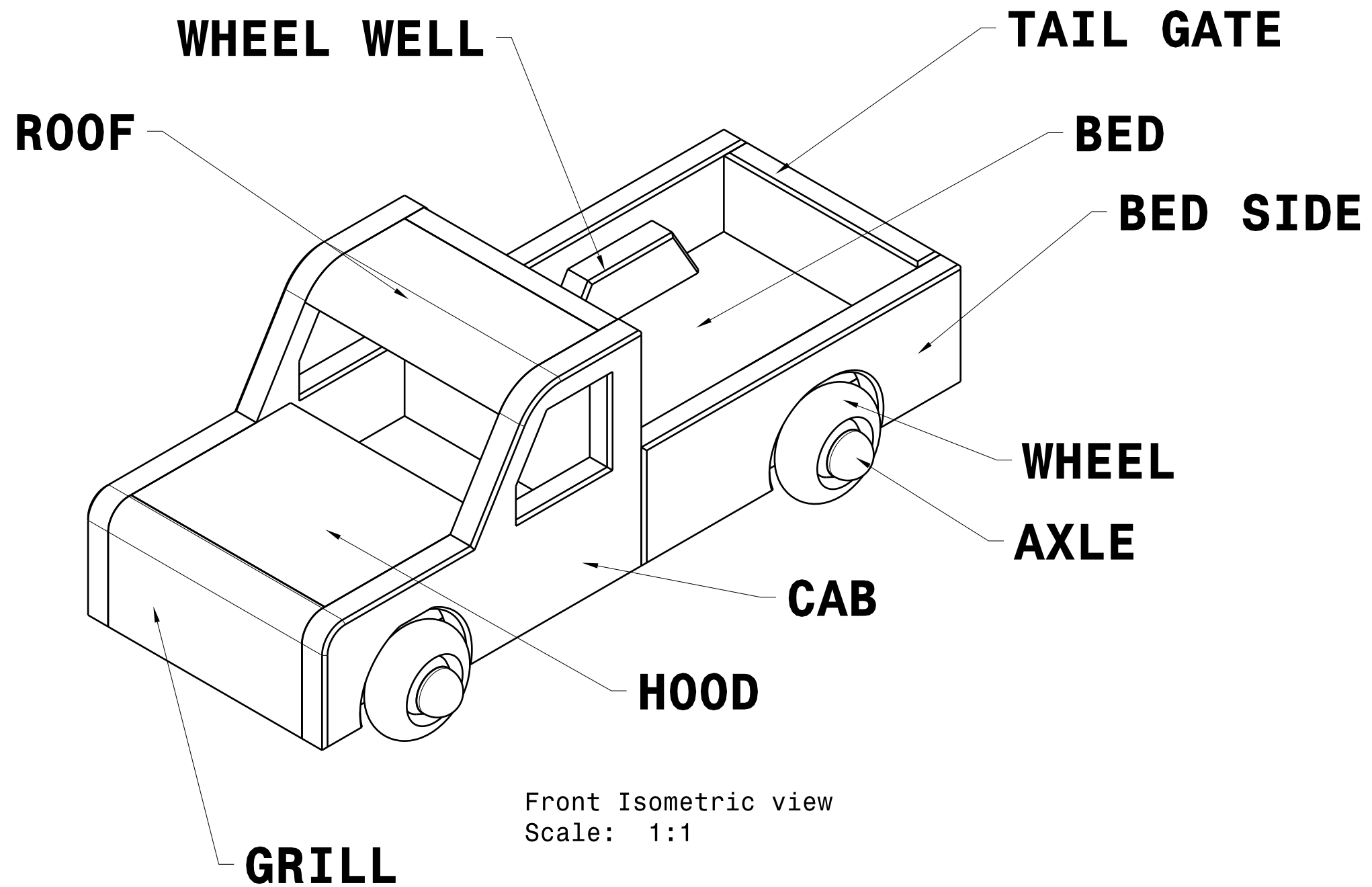
Top view  
Scale: 1:1



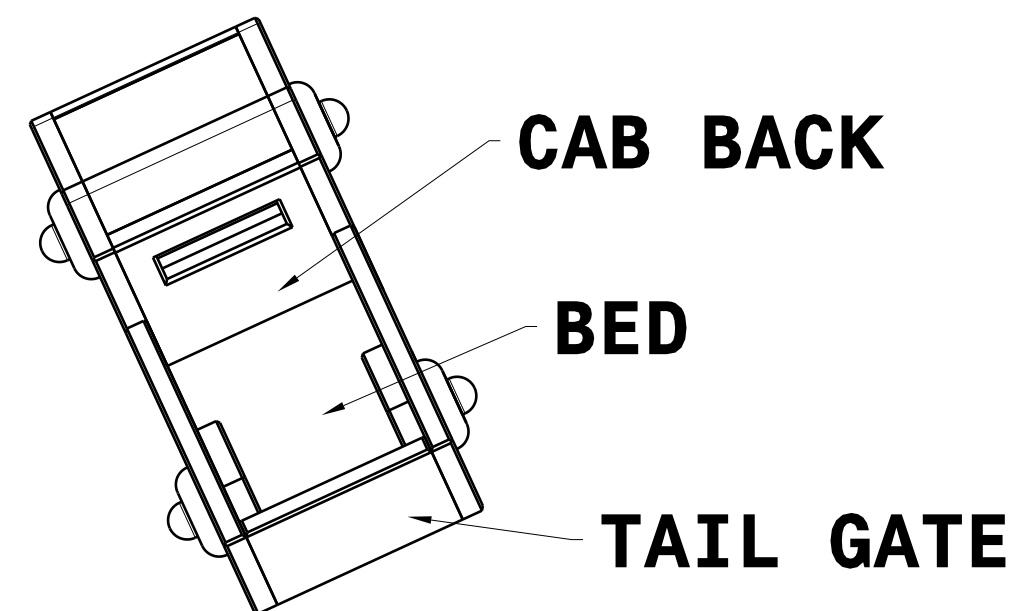
Front view  
Scale: 1:1



Section view A-A  
Scale: 1:1



Front Isometric view  
Scale: 1:1



Rear Isometric view  
Scale: 1:2

| MATERIAL LIST         |              |  |          |
|-----------------------|--------------|--|----------|
| Component Description | Number Req'd | Size                                   | Material |
| Bed                   | 1            | 6-1/2" x 2-1/8" x 3/8"                 | Pine     |
| Cab                   | 1            | 3-1/2" x 2-1/4" x 1/4"                 | Pine     |
| Bed Side              | 1            | 3-1/2" x 1-1/8" x 1/4"                 | Pine     |
| Cab Back              | 1            | 2-1/8" x 1-7/8" x 1/4"                 | Pine     |
| Tail Gate             | 1            | 2-1/8" x 1-1/8" x 1/4"                 | Pine     |
| Hood                  | 1            | 1-3/4" x 2-1/8" x 3/4"                 | Pine     |
| Grill                 | 1            | 2-1/8" x 1-1/8" x 1/4"                 | Pine     |
| Roof                  | 1            | 2-1/8" x 1-1/8" x 1/4"                 | Pine     |
| Wheels                | 4            | 1" Dia.<br>Woodworks, Ltd. TW1000      | Pine     |
| Axles                 | 4            | 1/4" x 1-1/4"<br>Woodworks, Ltd AP1005 | Pine     |
| Wheel Well            | 2            | 1-1/2" x 1/2" x 1/4"                   | Pine     |
| Washer                | 4            | 1/4"                                   | Nylon    |

This drawing is our property. It can't be reproduced or communicated without our written agreement.

D R McCagg Design

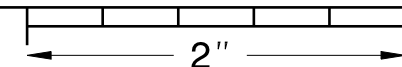
DRAWING TITLE

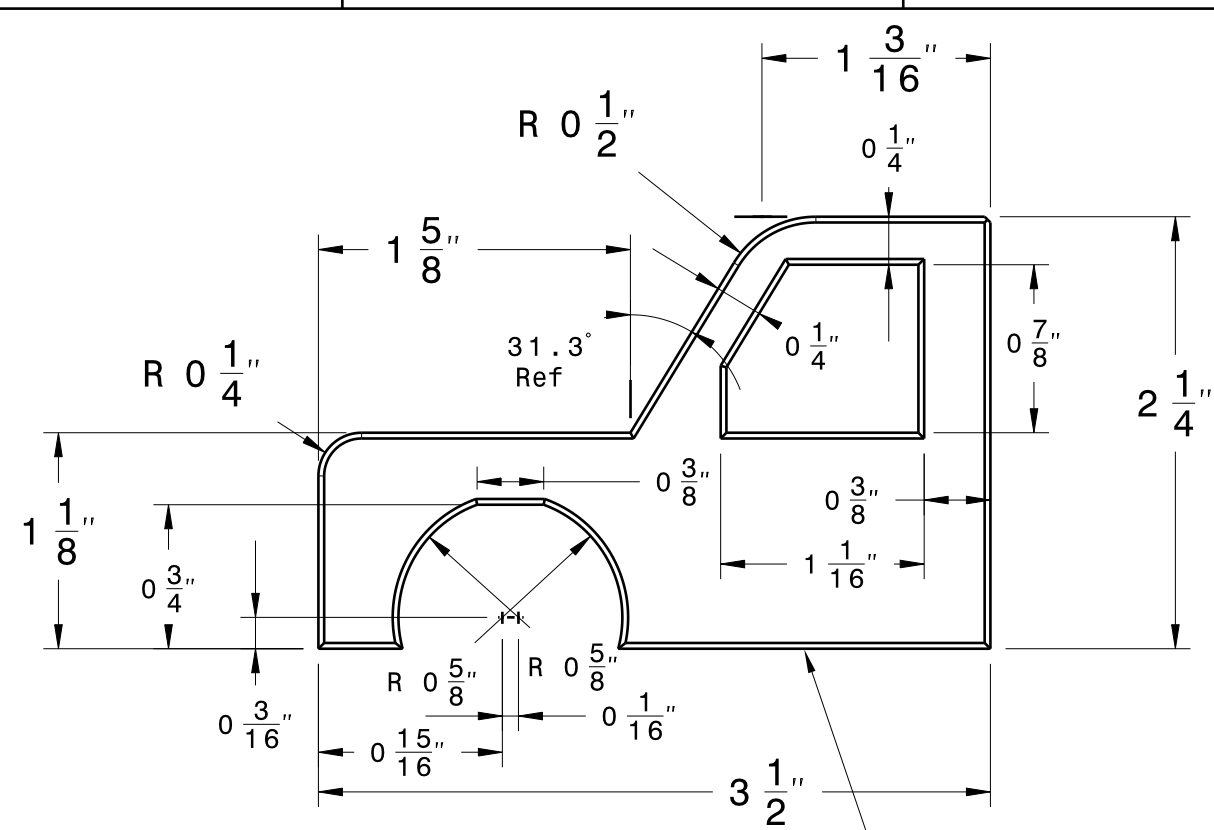
F-150 Pickup

DRAWN BY  
D R McCagg  
CHECKED BY  
XXX  
DESIGNED BY  
D R McCagg

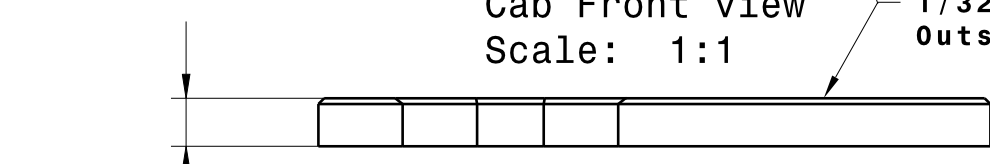
DATE  
26MAR2022  
DATE  
XXX  
DATE  
26MAR2022

|           |                                       |           |
|-----------|---------------------------------------|-----------|
| SIZE<br>C | DRAWING NUMBER<br>F-150 Truck 3-24-22 | REV<br>A  |
| SCALE 1:1 | WEIGHT(kg) 1.63                       | SHEET 1/3 |

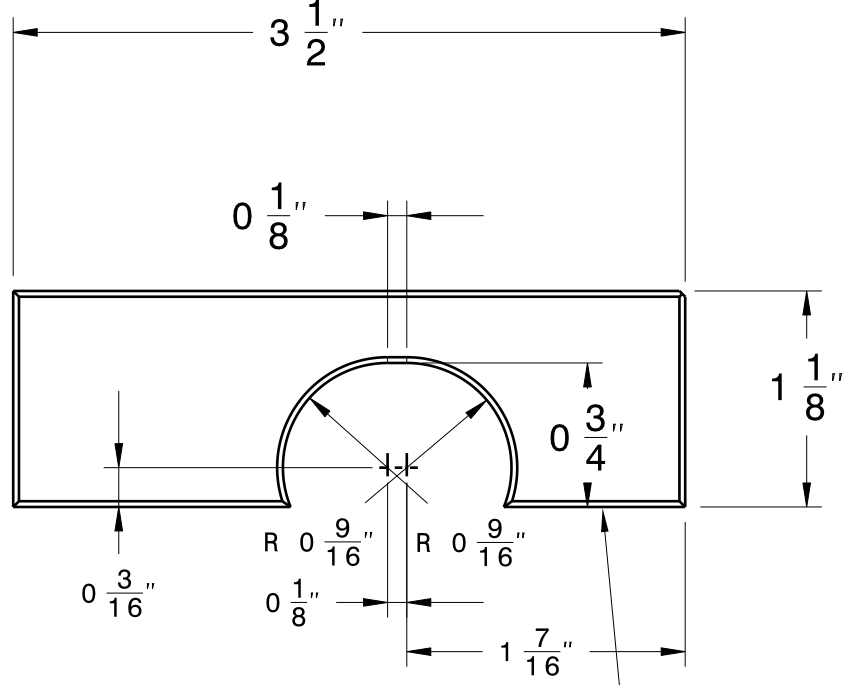




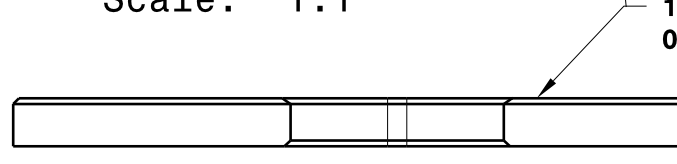
Cab Front view  
Scale: 1:1



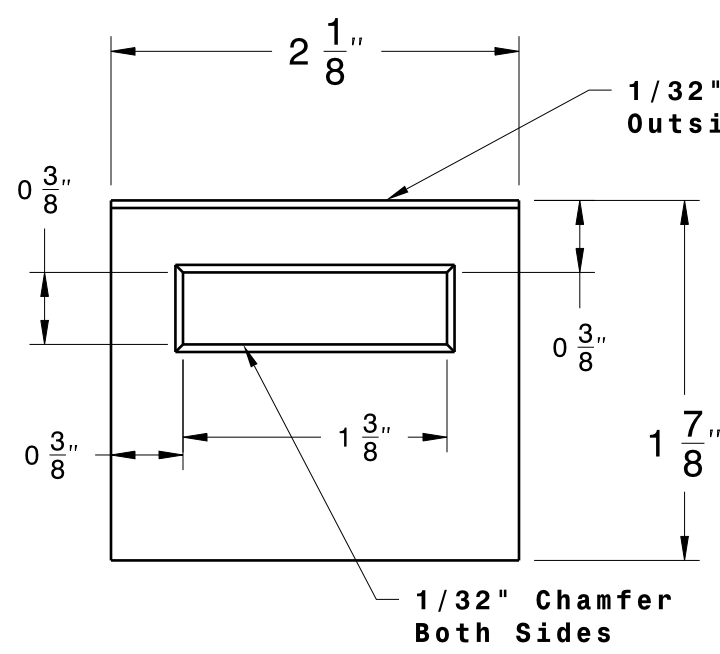
Cab Front Bottom view  
Scale: 1:1



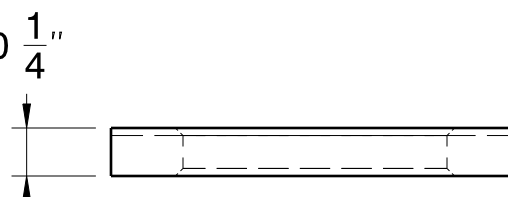
Bed Side Front view  
Scale: 1:1



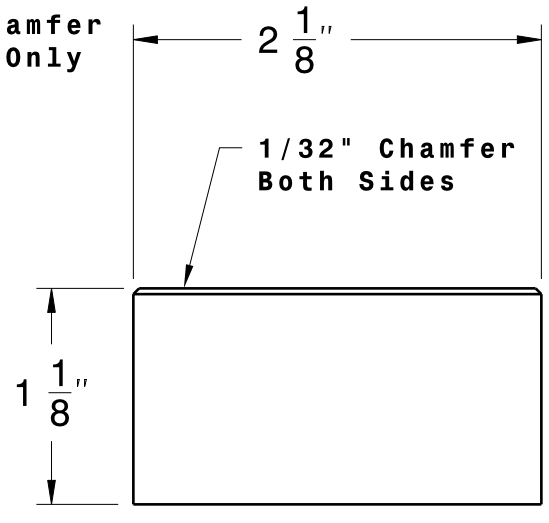
Bed Side Bottom view  
Scale: 1:1



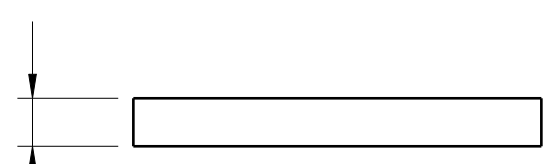
Cab Back Front view  
Scale: 1:1



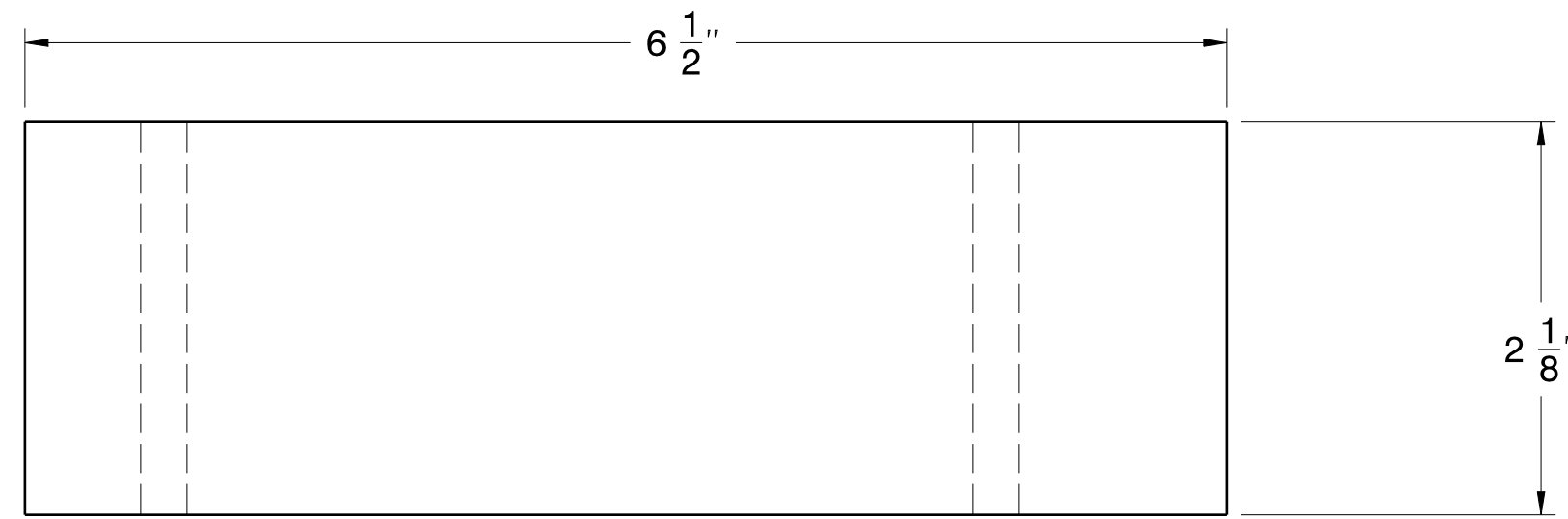
Cab Back Bottom view  
Scale: 1:1



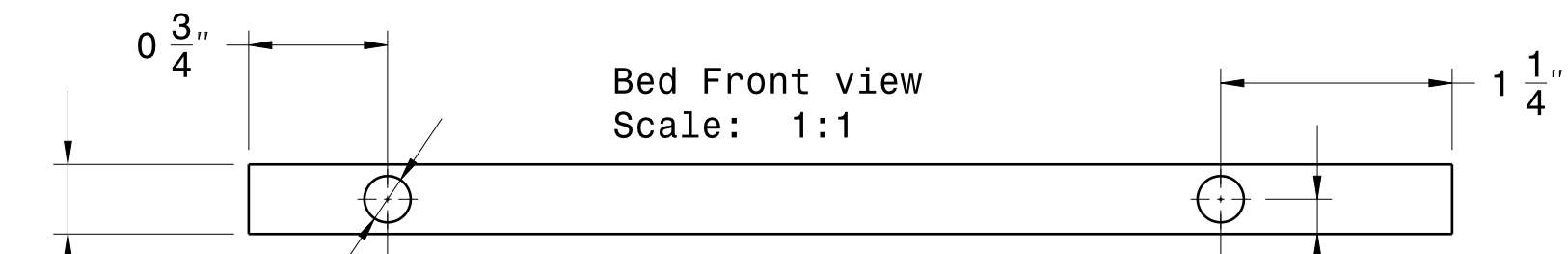
Tail Gate Front view  
Scale: 1:1



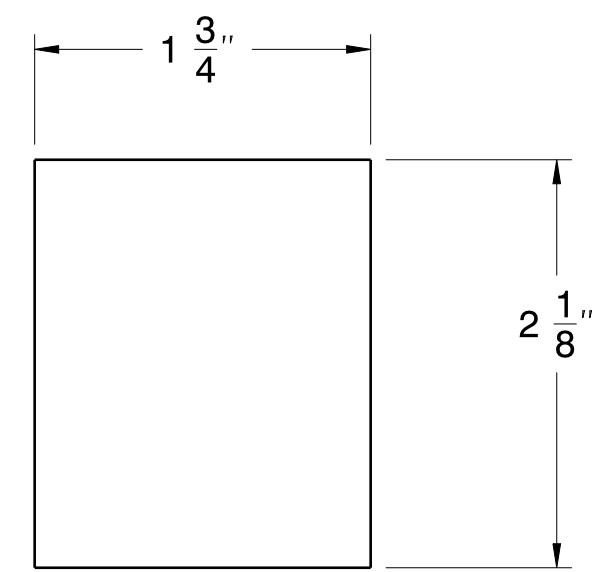
Tail Gate Bottom view  
Scale: 1:1



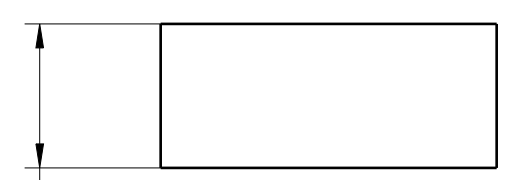
Bed Front view  
Scale: 1:1



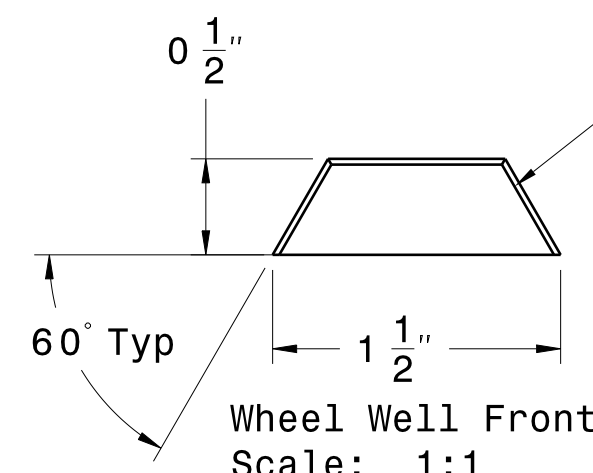
Bed Bottom view  
Scale: 1:1



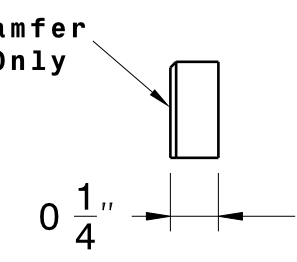
Hood Front view  
Scale: 1:1



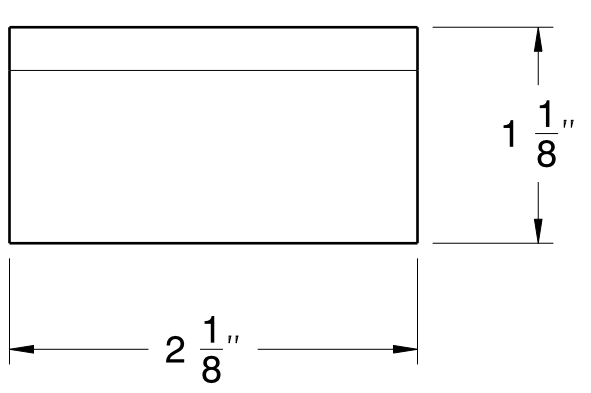
Hood Bottom view  
Scale: 1:1



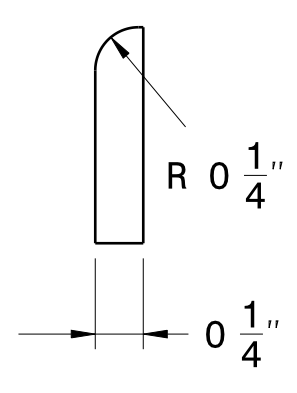
Wheel Well Front view  
Scale: 1:1



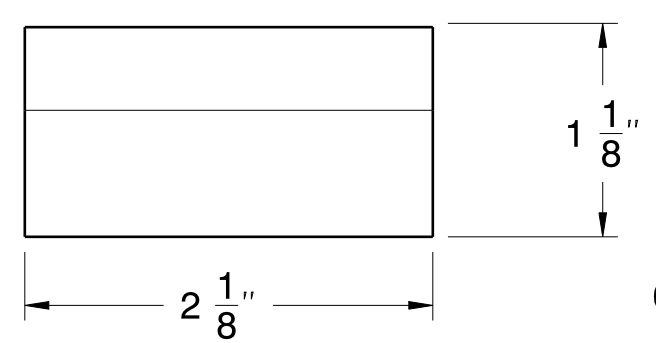
Wheel Well Right view  
Scale: 1:1



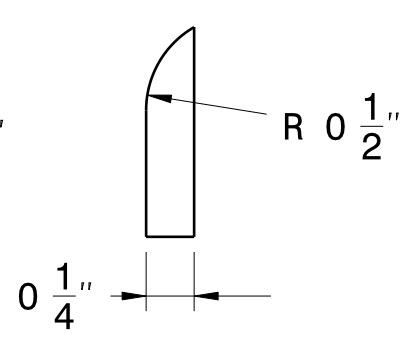
Grill Front view  
Scale: 1:1



Grill Right view  
Scale: 1:1



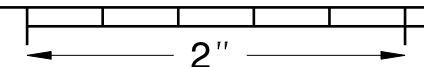
Roof Front view  
Scale: 1:1

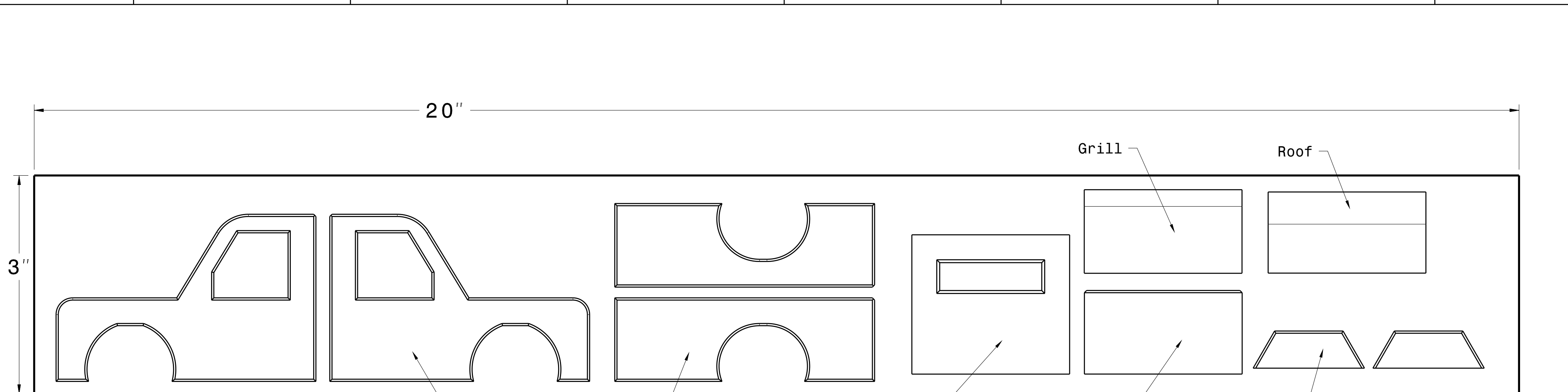


Roof Right view  
Scale: 1:1

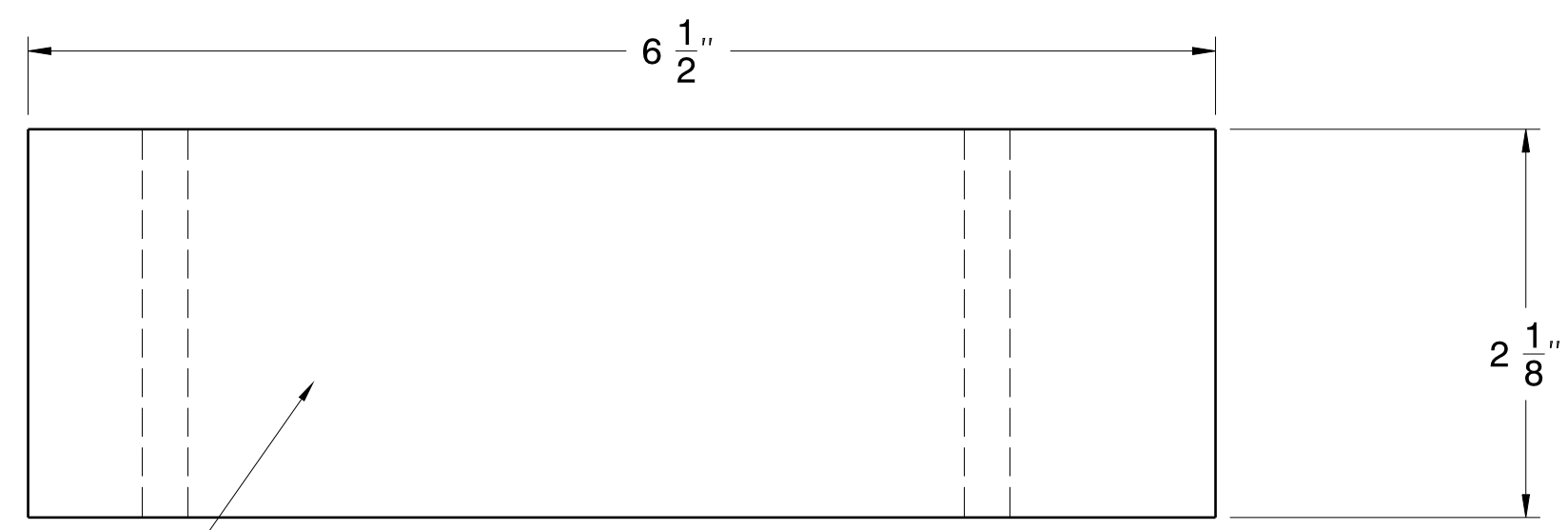
This drawing is our property. It can't be reproduced or communicated without our written agreement.

|                                  |                   |                    |  |
|----------------------------------|-------------------|--------------------|--|
| <b>D R McCagg Design</b>         |                   |                    |  |
| DRAWING TITLE                    |                   |                    |  |
| <b>F-150 Pickup</b>              |                   |                    |  |
| DRAWN BY<br><b>D R McCagg</b>    | DATE<br>26MAR2022 | SIZE<br><b>C</b>   | DRAWING NUMBER<br><b>F-150_Truck_3-24-22</b> |
| CHECKED BY<br><b>XXX</b>         | DATE<br>XXX       | SCALE<br>1:1       | REV<br><b>A</b>                              |
| DESIGNED BY<br><b>D R McCagg</b> | DATE<br>26MAR2022 | WEIGHT(kg)<br>1.63 | SHEET<br>2/3                                 |

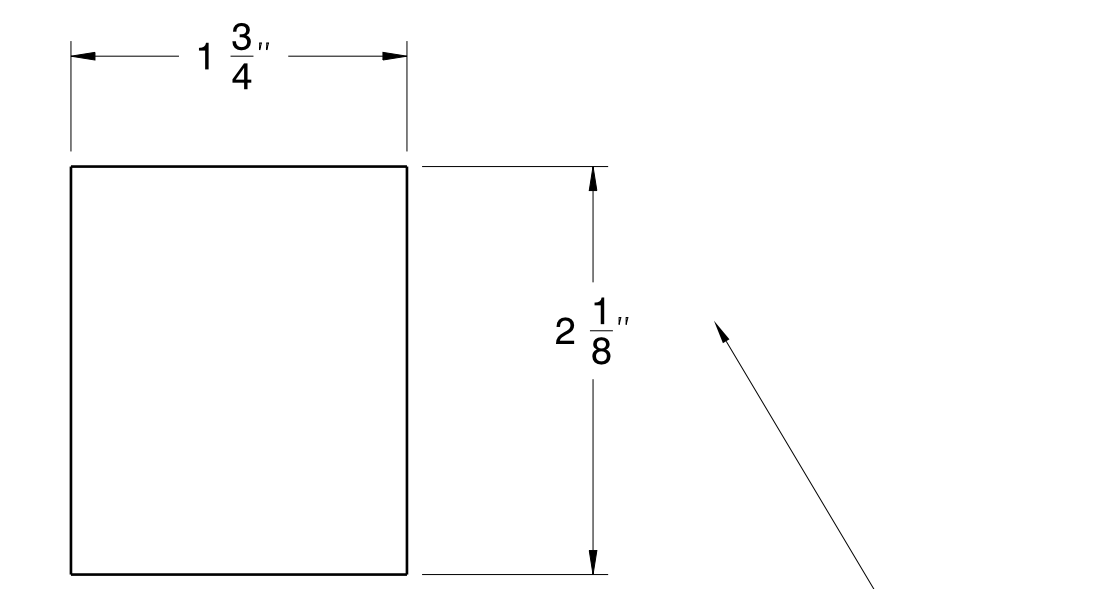




Cut Diagram - 1/4" thick stock  
20" x 3" x 1/4"



Cut Diagram - 3/8" thick stock  
6-1/2" x 2-1/8" x 3/8"



Cut Diagram - 3/4" thick stock  
1-3/4" x 2-1/8" x 3/4"

**Assembly Instructions**

1. Cut out all parts
2. Glue one each of the following parts to bed
  - a. Cab
  - b. Bed side
  - c. Wheel well
3. Glue the following to interim assembly from step 2
  - a. Grill
  - b. Hood
  - c. Cab Back
  - d. Tailgate
4. To interim step 3 assembly glue remaining
  - a. Bed Side
  - b. Cab
  - c. Wheel Well
5. Glue wheels and axles to bed (four (4) places)
  - a. Place washer between wheel and bed
6. Apply child safe clear finish of your choice

| MATERIAL LIST |             |              |  |          |
|---------------|-------------|--------------|--|----------|
| Component     | Description | Number Req'd | Size                                   | Material |
| Bed           |             | 1            | 6-1/2" x 2-1/8" x 3/8"                 | Pine     |
| Cab           |             | 1            | 3-1/2" x 2-1/4" x 1/4"                 | Pine     |
| Bed Side      |             | 1            | 3-1/2" x 1-1/8" x 1/4"                 | Pine     |
| Cab Back      |             | 1            | 2-1/8" x 1-7/8" x 1/4"                 | Pine     |
| Tail Gate     |             | 1            | 2-1/8" x 1-1/8" x 1/4"                 | Pine     |
| Hood          |             | 1            | 1-3/4" x 2-1/8" x 3/4"                 | Pine     |
| Grill         |             | 1            | 2-1/8" x 1-1/8" x 1/4"                 | Pine     |
| Roof          |             | 1            | 2-1/8" x 1-1/8" x 1/4"                 | Pine     |
| Wheels        |             | 4            | 1" Dia.<br>Woodworks, Ltd. TW1000      | Pine     |
| Axles         |             | 4            | 1/4" x 1-1/4"<br>Woodworks, Ltd AP1005 | Pine     |
| Wheel Well    |             | 2            | 1-1/2" x 1/2" x 1/4"                   | Pine     |
| Washer        |             | 4            | 1/4"                                   | Nylon    |

|   |                   |                          |  |                     |
|---|-------------------|--------------------------|--|---------------------|
| This drawing is our property. It can't be reproduced or communicated without our written agreement. |                   | <b>D R McCagg Design</b> |  |                     |
|   |                   | <b>F-150 Pickup</b>      |  |                     |
| DRAWN BY<br><b>D R McCagg</b>   | DATE<br>26MAR2022 | SIZE<br><b>C</b>         | DRAWING NUMBER<br><b>F-150 Truck 3-24-22</b> | REV<br><b>A</b>     |
| CHECKED BY<br><b>XXX</b>  | DATE<br>XXX       | SCALE<br><b>1:1</b>      | WEIGHT(kg)<br><b>1.63</b>                    | SHEET<br><b>3/3</b> |
| DESIGNED BY<br><b>D R McCagg</b>  | DATE<br>26MAR2022 |                          |  |                     |

