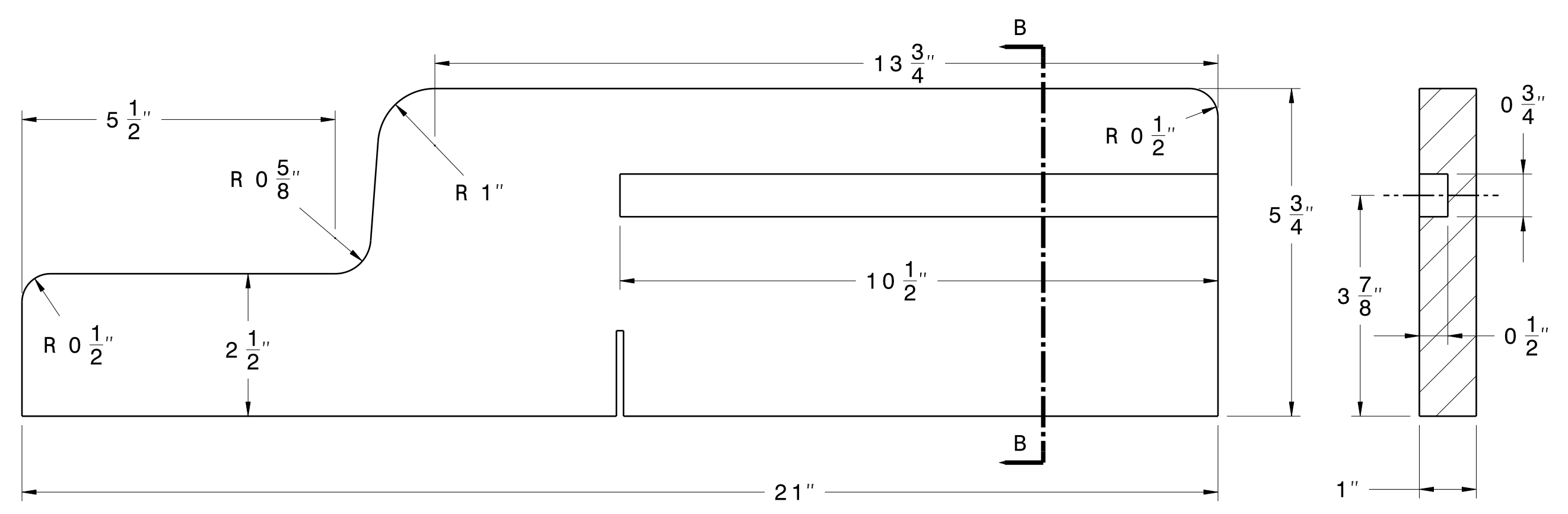


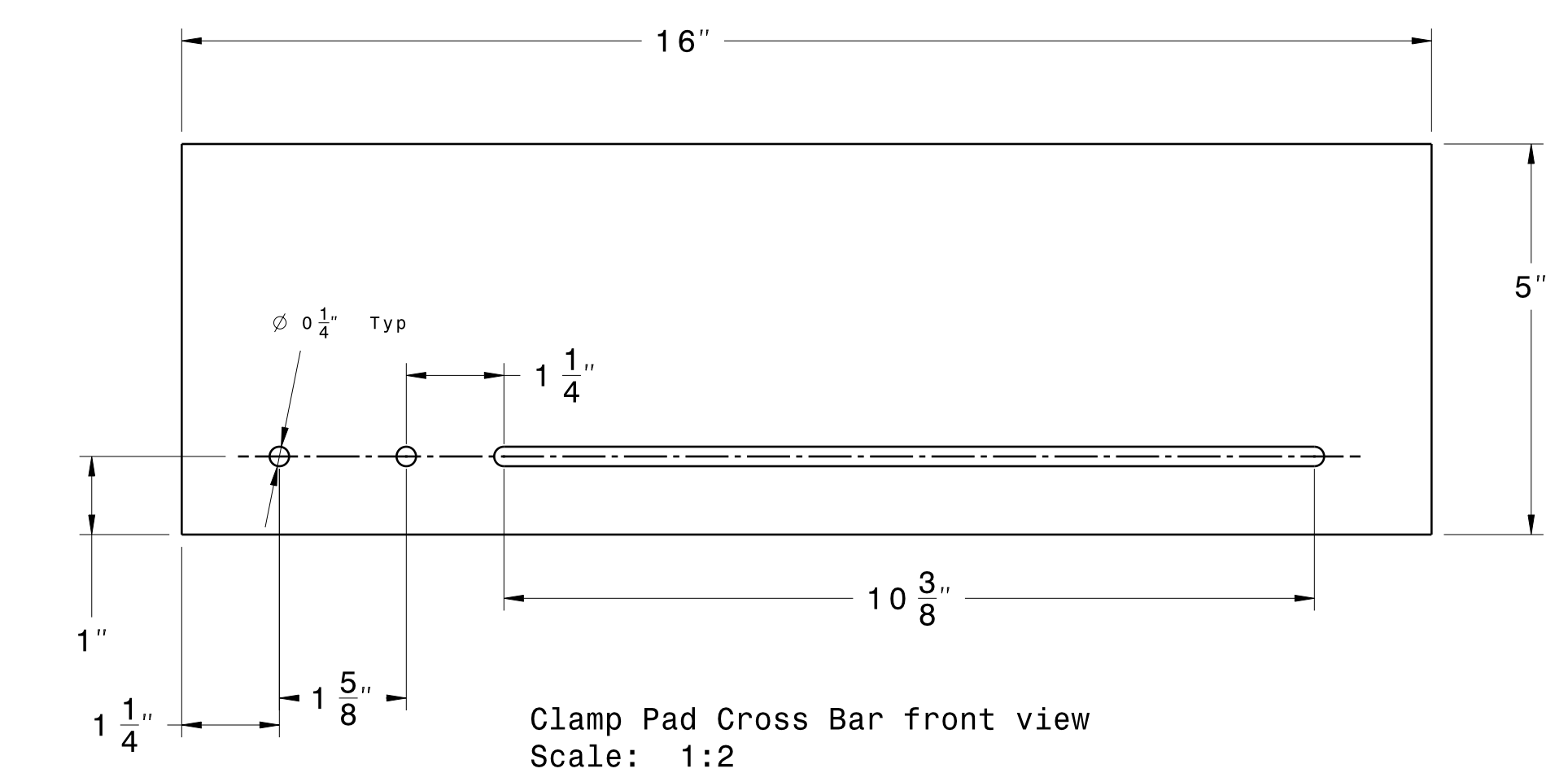
Front Fense section cut A-A
Scale: 1:2

Front Fense front view
Scale: 1:2

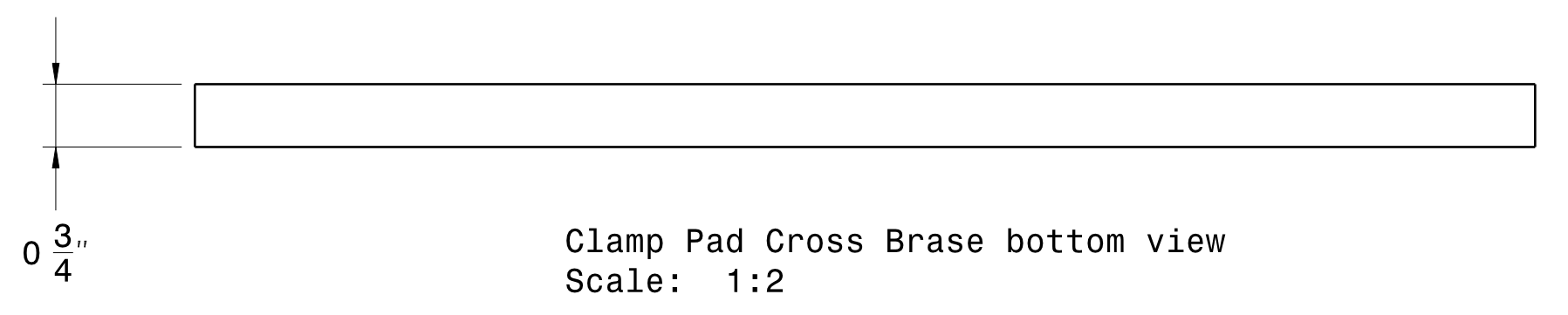


Rear Fense front view
Scale: 1:2

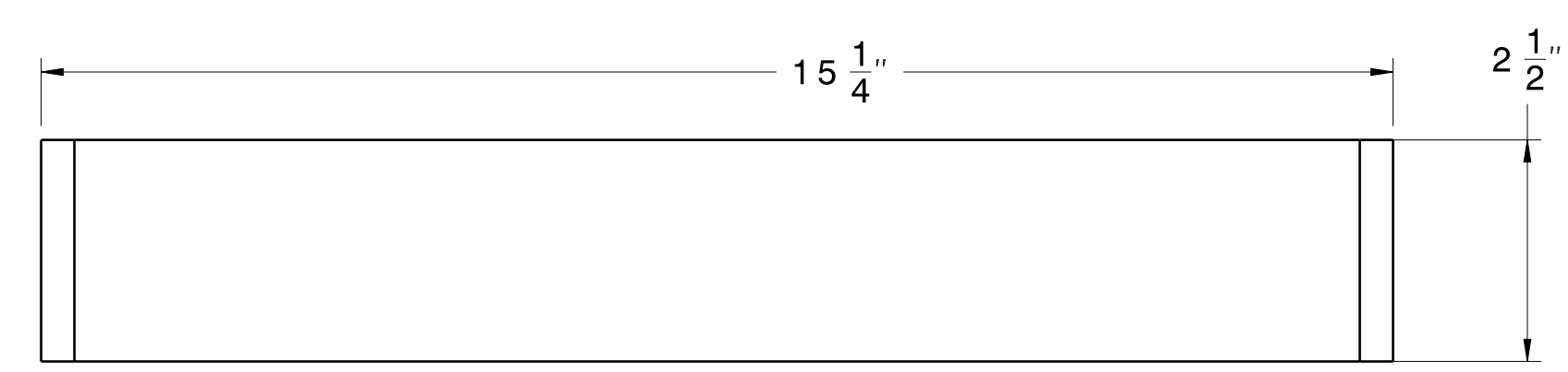
Rear Fense section view B-B
Scale: 1:2



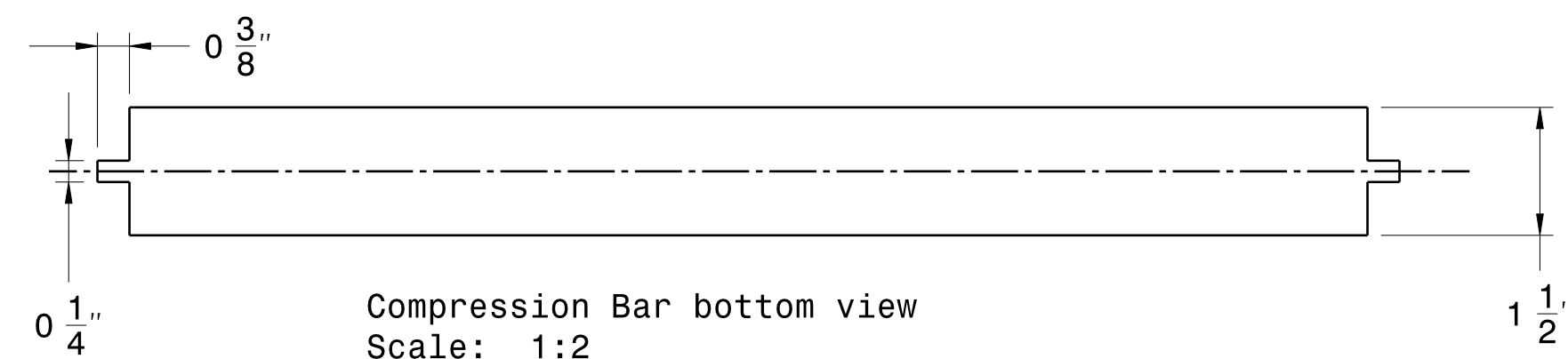
Clamp Pad Cross Bar front view
Scale: 1:2



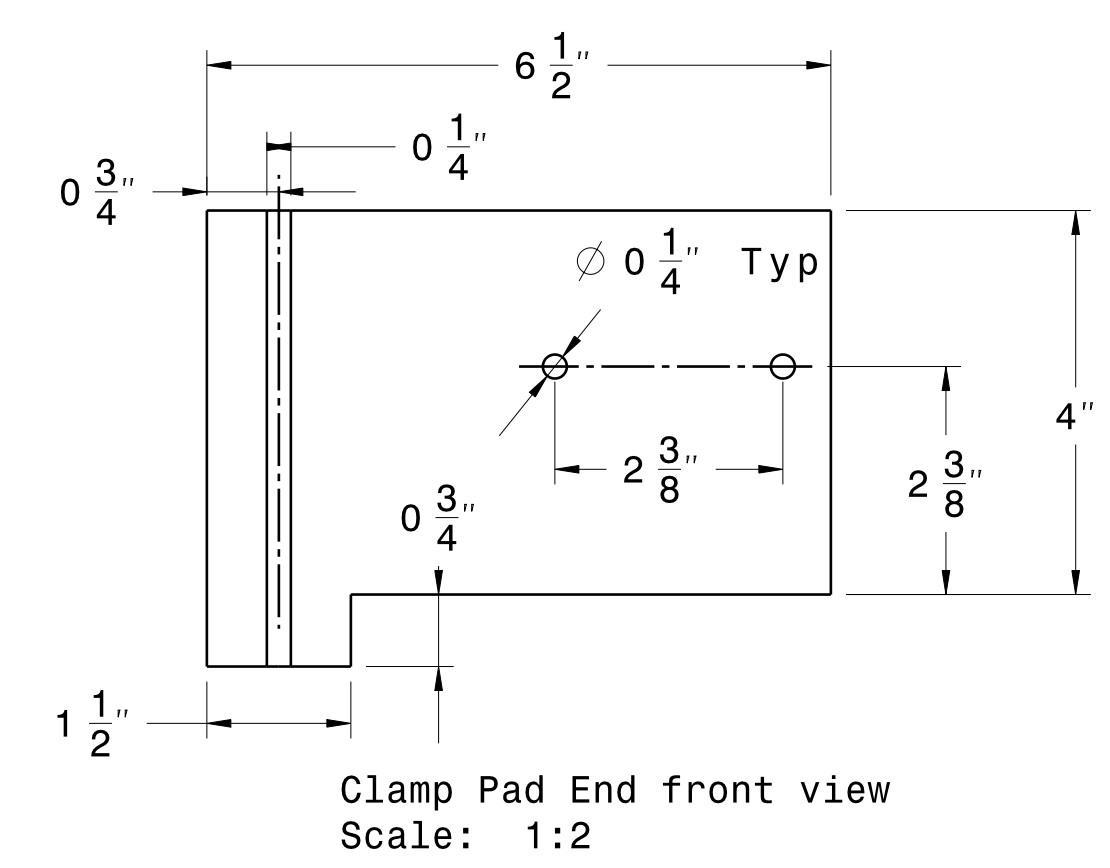
Clamp Pad Cross Bar bottom view
Scale: 1:2



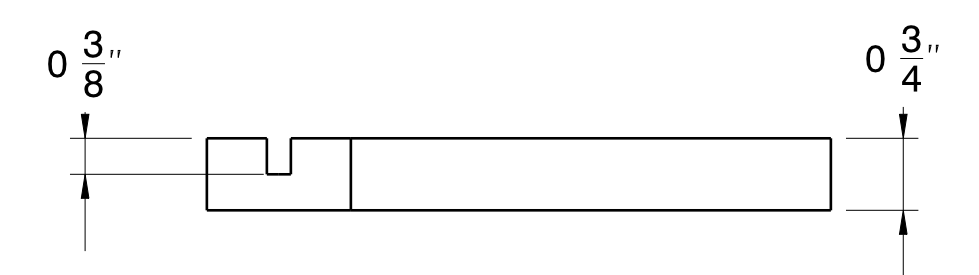
Compression Bar front view
Scale: 1:2



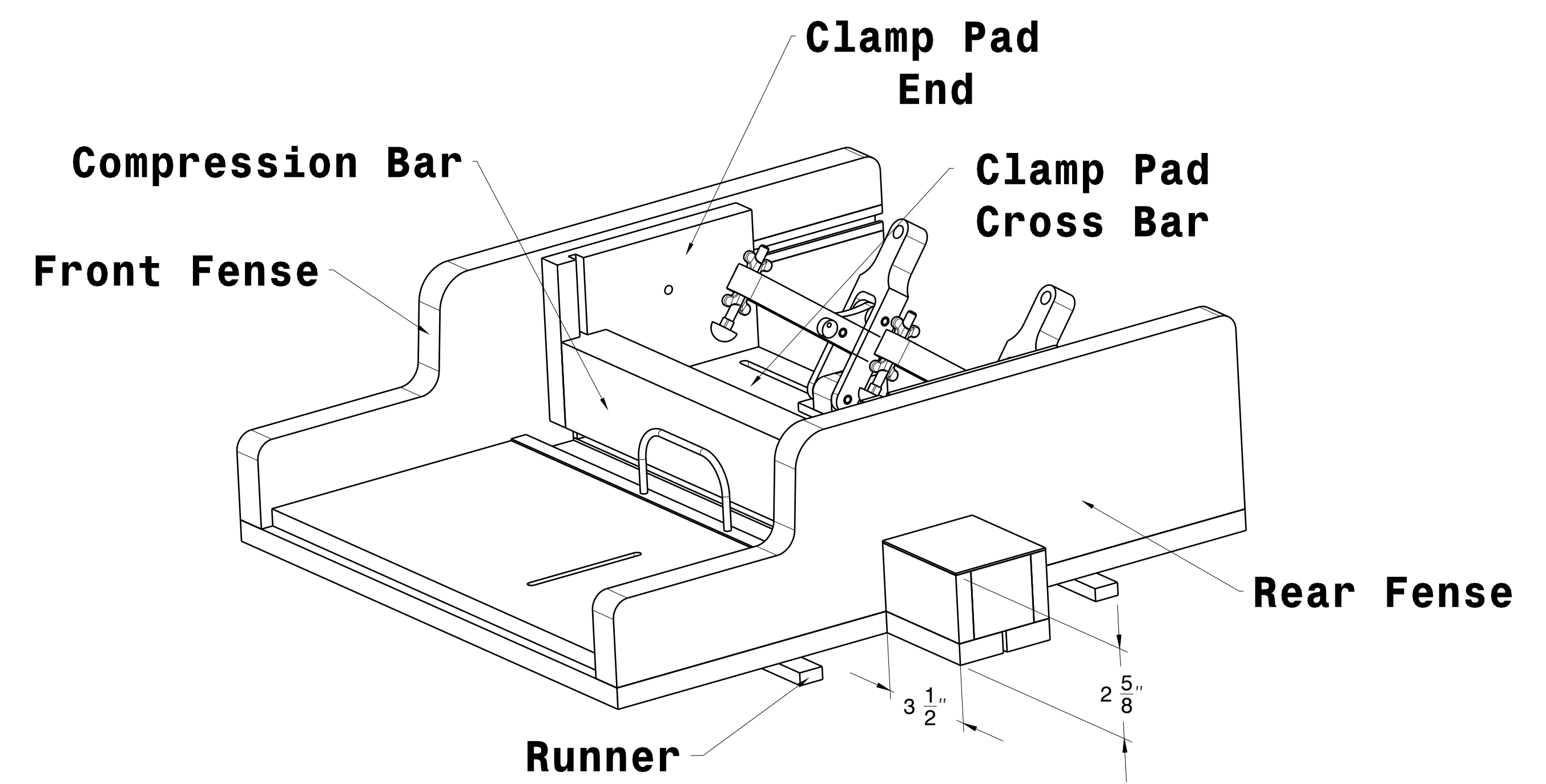
Compression Bar bottom view
Scale: 1:2



Clamp Pad End front view
Scale: 1:2



Clamp Pad End bottom view
Scale: 1:2



Ken Wolf Small Parts Sled isometric view
Scale: 1:3

MATERIAL LIST (Sh 1/2)			
Component Description	Number Req'd	Size	Material
Front Fense	1	21" x 5-3/4" x 1"	Ash
Rear Fense	1	21" x 5-3/4" x 1"	Ash
Clamp Pad Cross Bar	1	16" x 5" x 3/4"	Ash
Clamp Pad End	2	6-1/2" x 4-3/4" x 3/4"	Ash
Compression Bar	1	15-1/4" x 2-1/2" x 1-1/2"	CRS

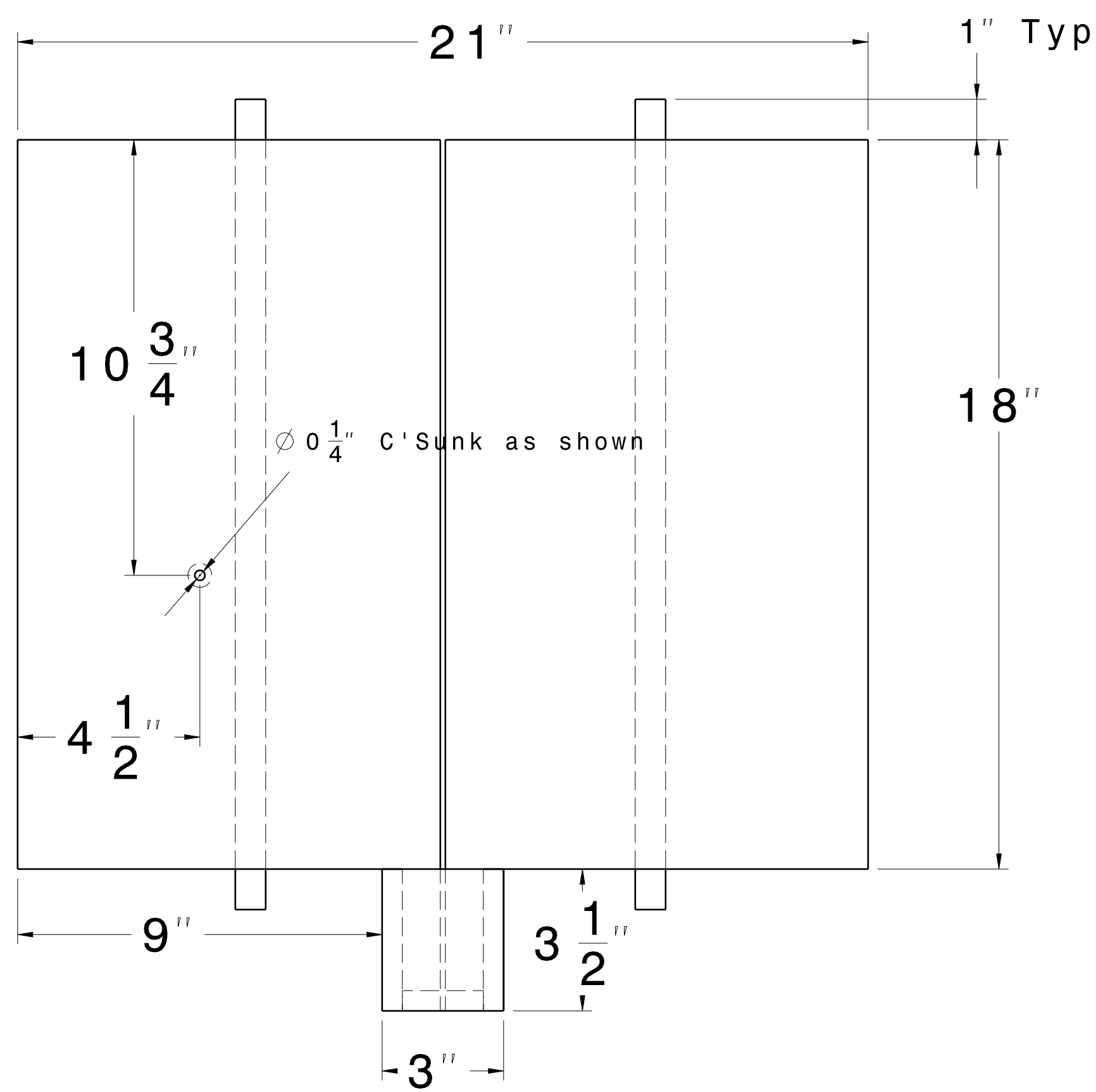
This drawing is our property. It can't be reproduced or communicated without our written agreement.

DRAWN BY
D R McCagg

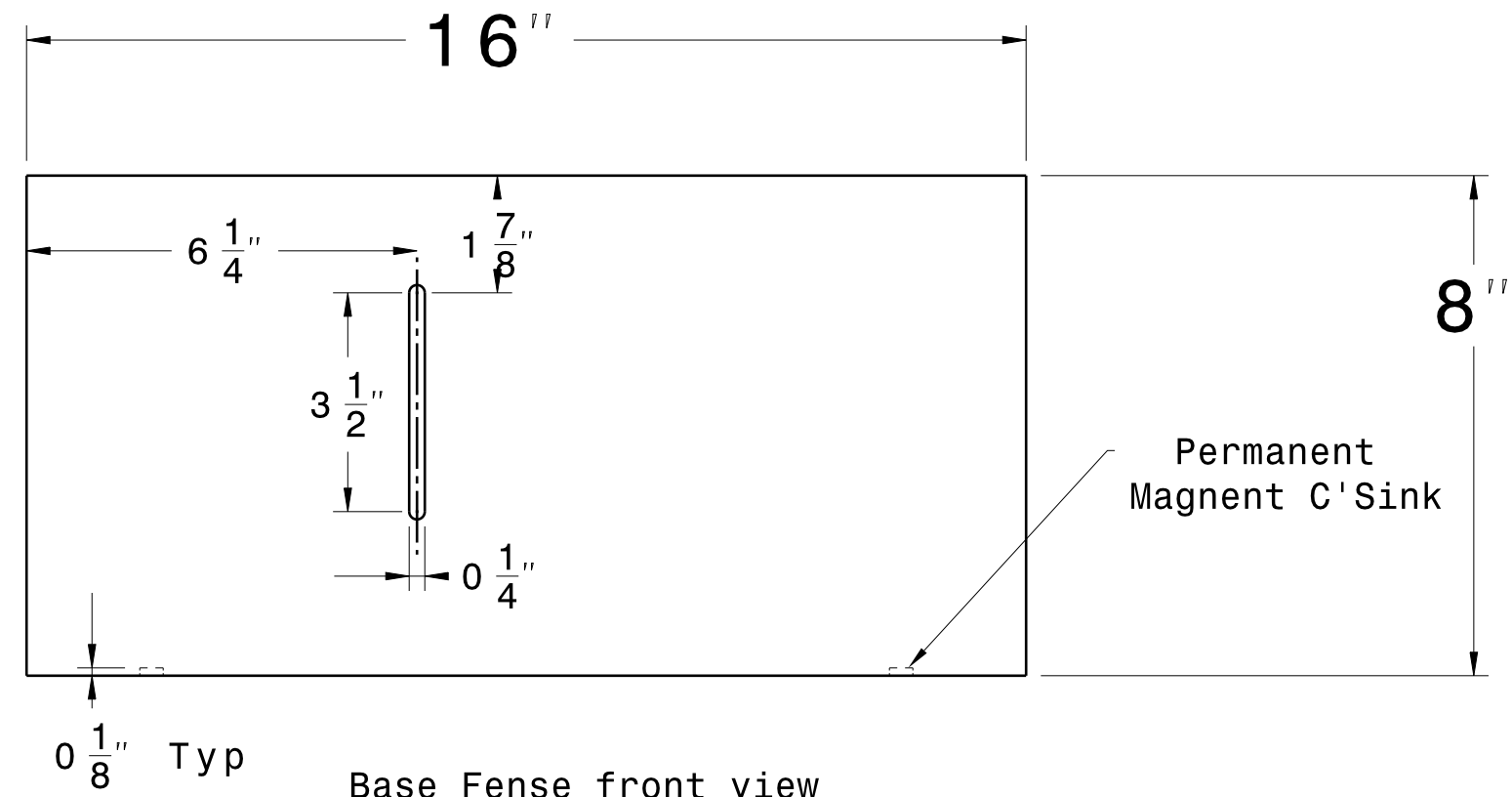
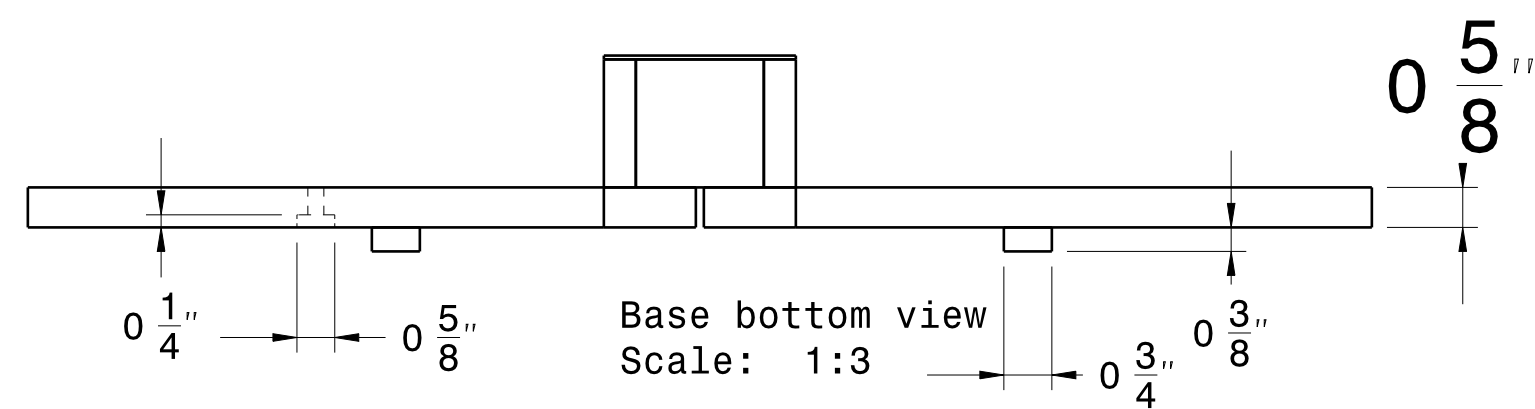
CHECKED BY
XXX

DESIGNED BY
D R McCagg

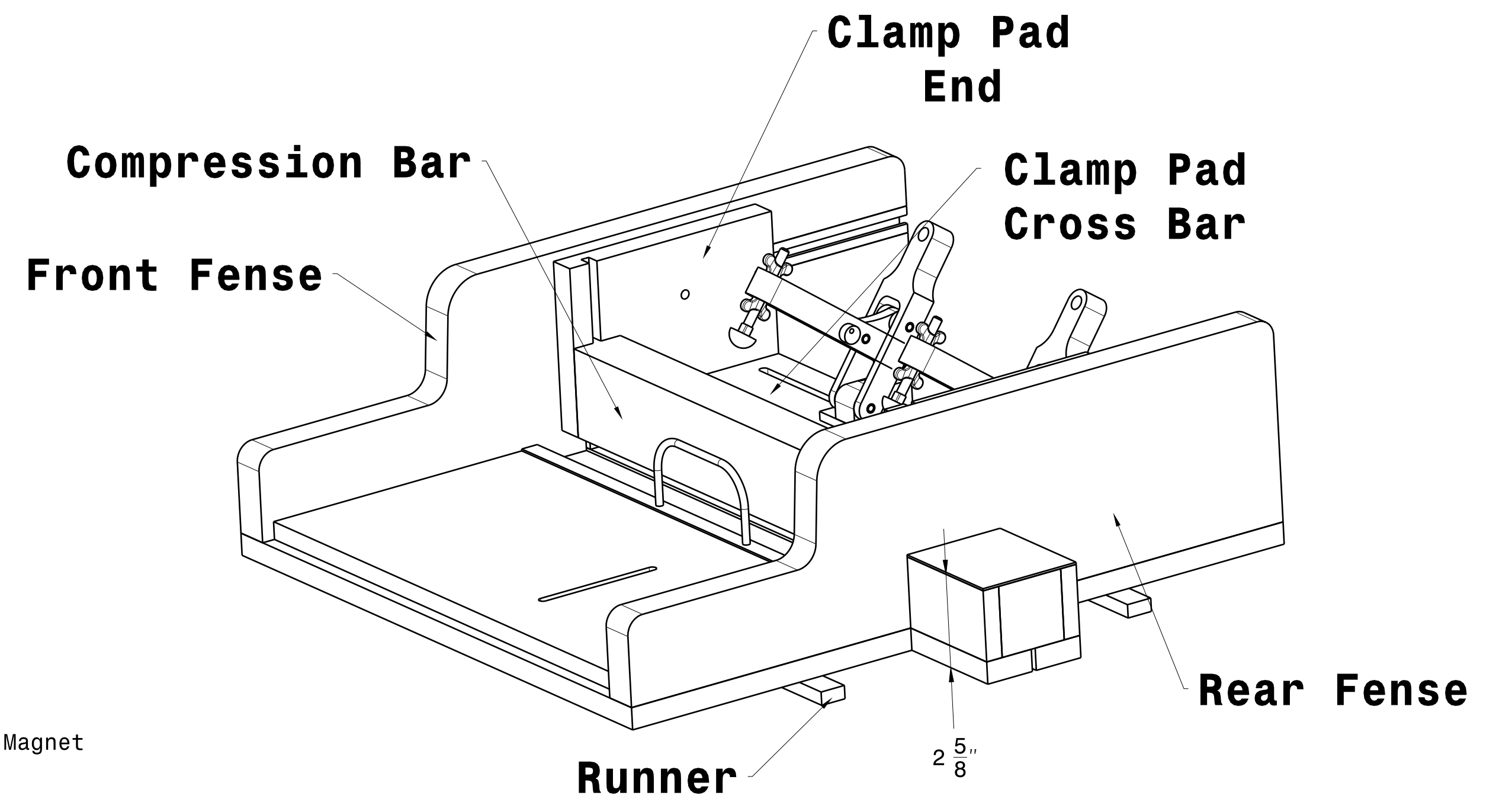
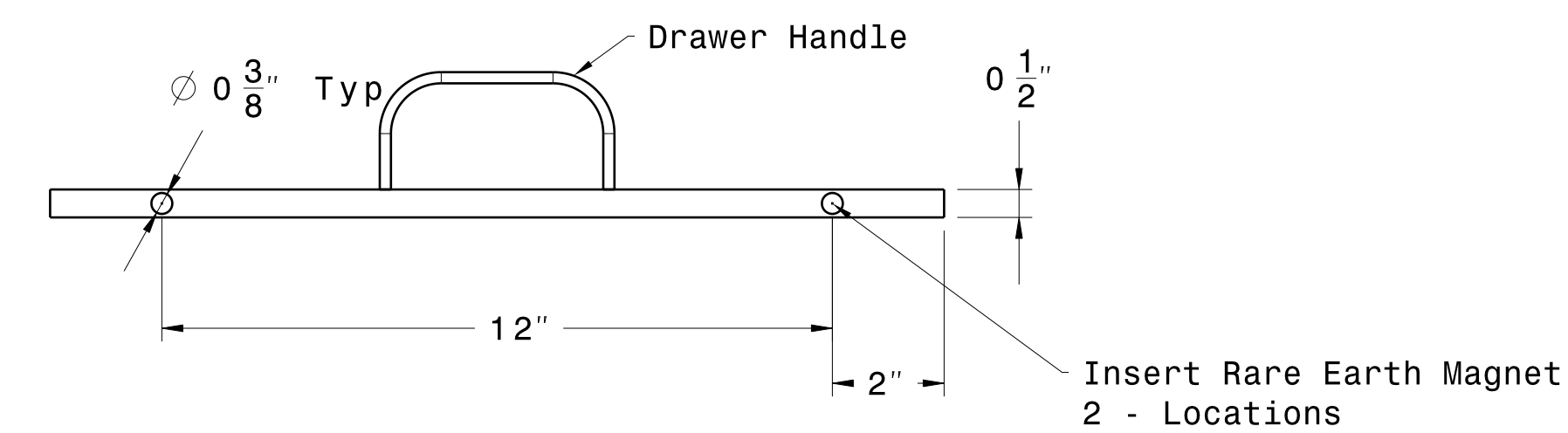
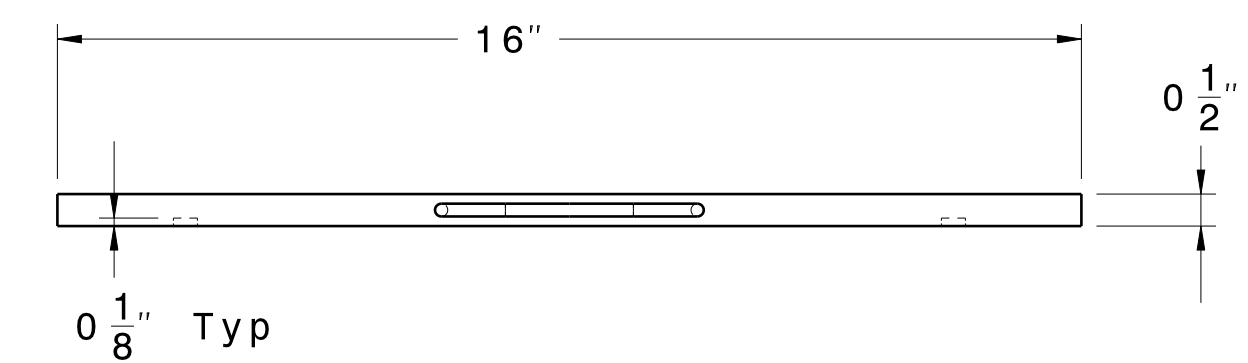
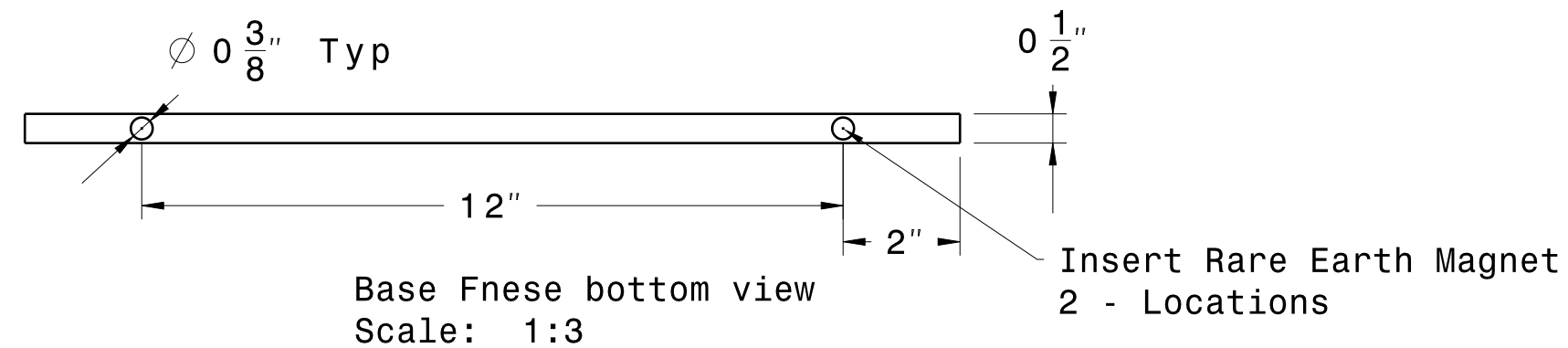
Ken Wolf Design			
DRAWING TITLE Ken's Small Parts Sled			
DRAWN BY D R McCagg	DATE 9JUL2023	SIZE D	DRAWING NUMBER Ken Wolf Small Parts Sled 7-9-23
CHECKED BY XXX	DATE XXX	SCALE 1:1	REV X
DESIGNED BY D R McCagg	DATE 9JUL2023	WEIGHT (kg) 7.31	SHEET 1/2



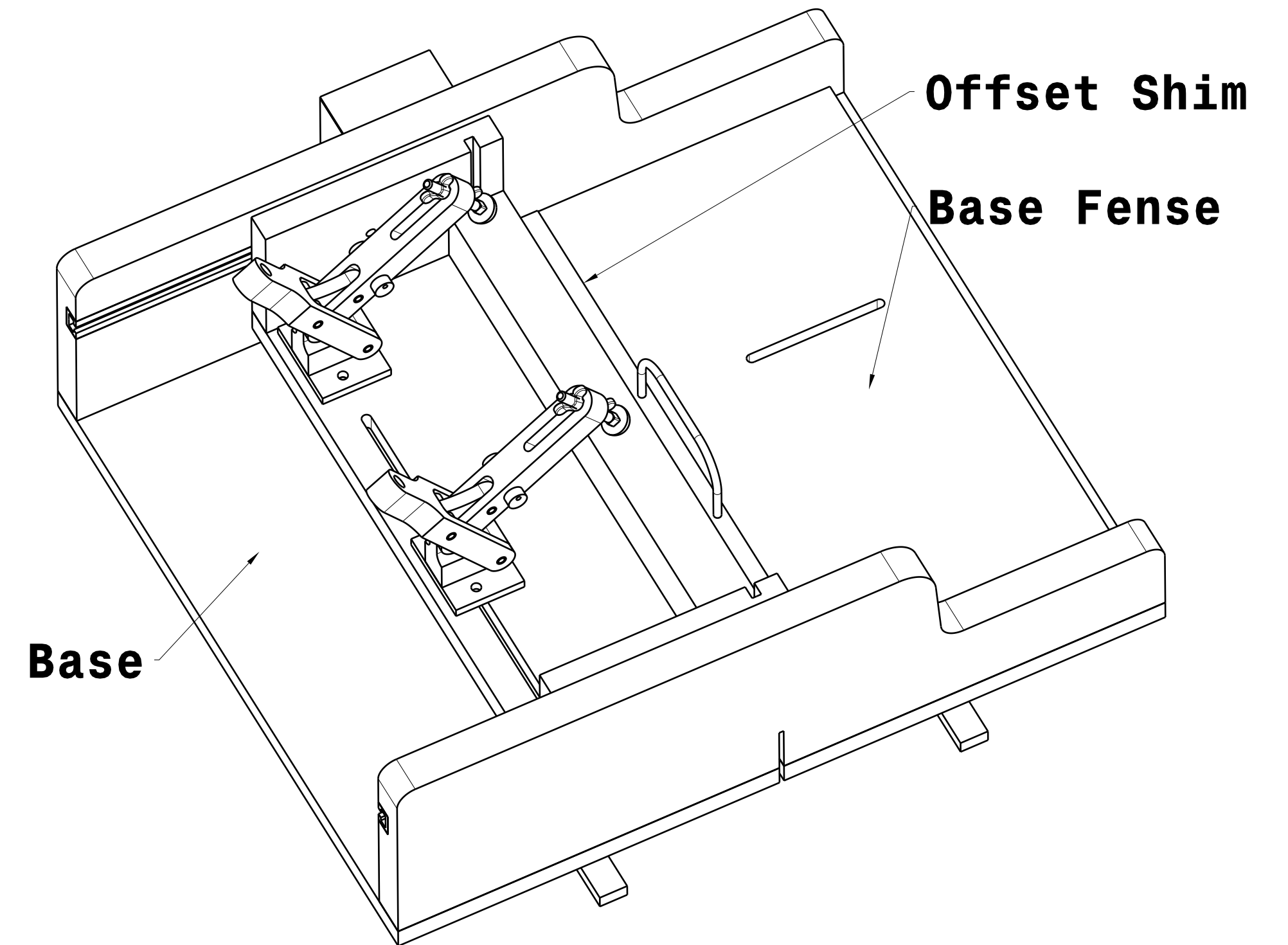
Base front view
 Scale: 1:3



Base Fense front view
 Scale: 1:3



Ken Wolf Small Parts Sled isometric view
 Scale: 1:3



Ken Wolf Small Parts Sled revrse isometric view
 Scale: 1:3

MATERIAL LIST (Sh 2/2)			
Component Description	Number Req'd	Size	Material
Base	1	21" x 21-1/2" x 5/8"	Ash
Base Fense	1	16" x 8" x 1/2"	Ash
Offset Shim	1	16" x 1/2" x 1/2"	Ash
Rare Earth Magnet	4	3/8" Dia x 1/8"	Magnet
Runner	2	20" x 3/4" x 3/8"	Ash

This drawing is our property.
 It can't be reproduced
 or communicated without
 our written agreement.

Ken Wolf Design

DRAWING TITLE				
DRAWN BY	DATE	Ken's Small Parts Sled		
D R McCagg	9JUL2023	SIZE	DRAWING NUMBER	REV
CHECKED BY	DATE	D	Ken Wolf Small Parts Sled 7-9-23	X
XXX	XXX	SCALE	1:1	WEIGHT(kg) 7.31
DESIGNED BY	DATE	SHEET		2/2
D R McCagg	9JUL2023			