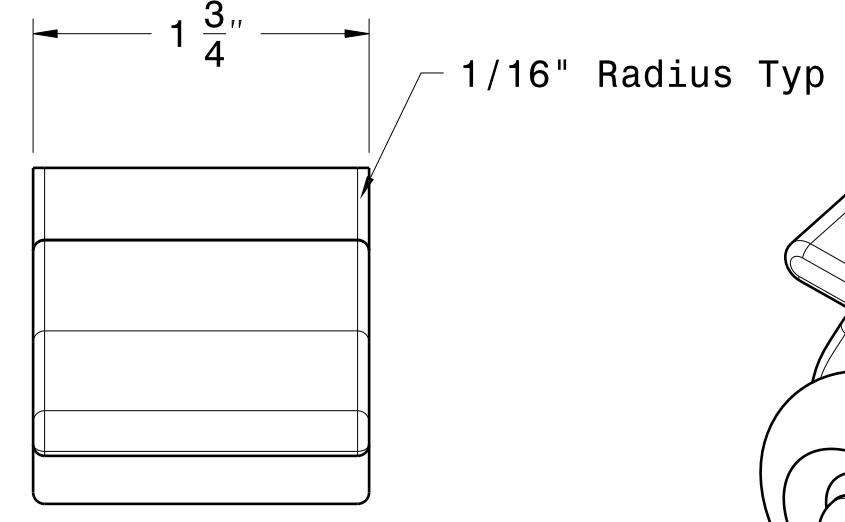
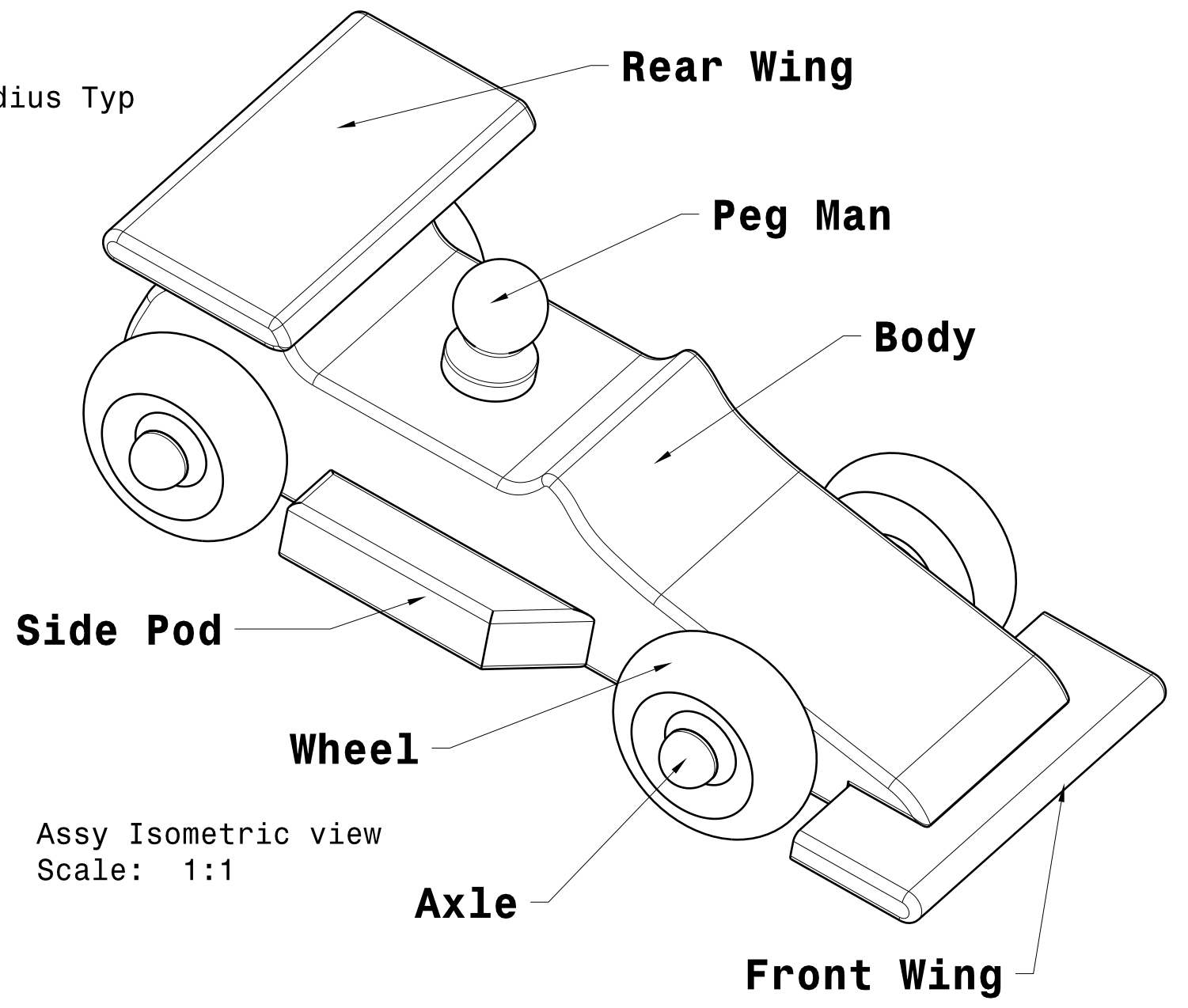


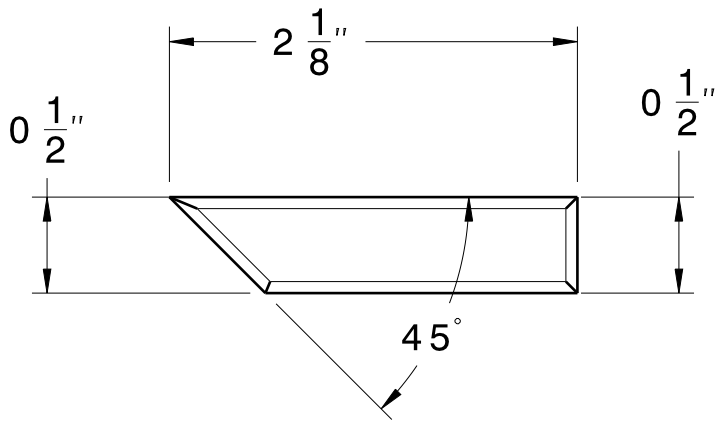
Body Front view
Scale: 1:1



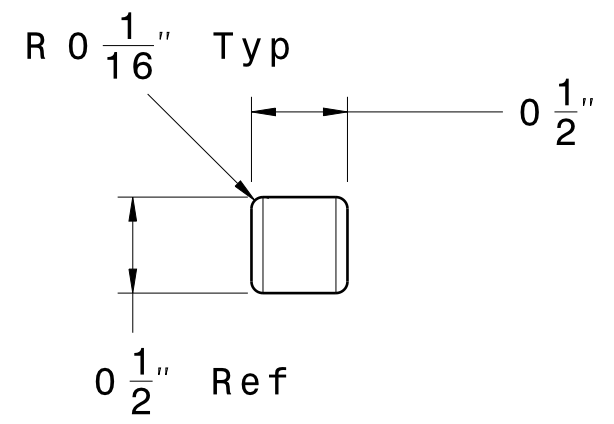
Body Right view
Scale: 1:1



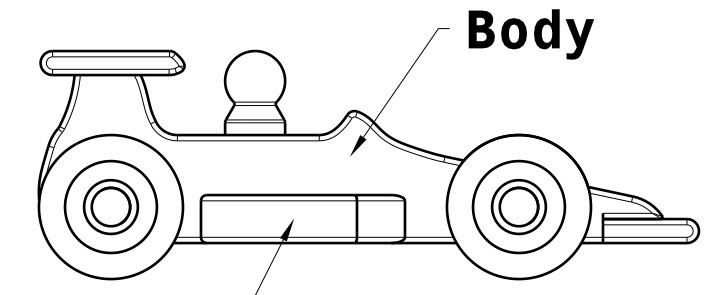
Assy Isometric view
Scale: 1:1



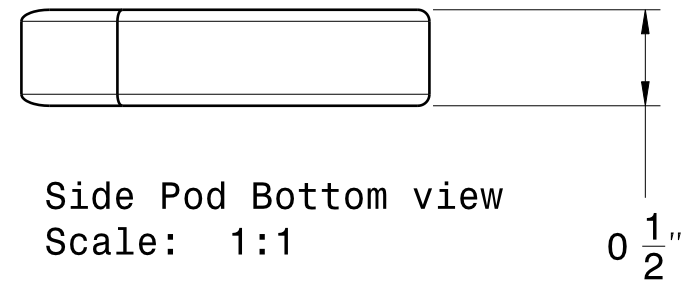
Side Pod Front view
Scale: 1:1



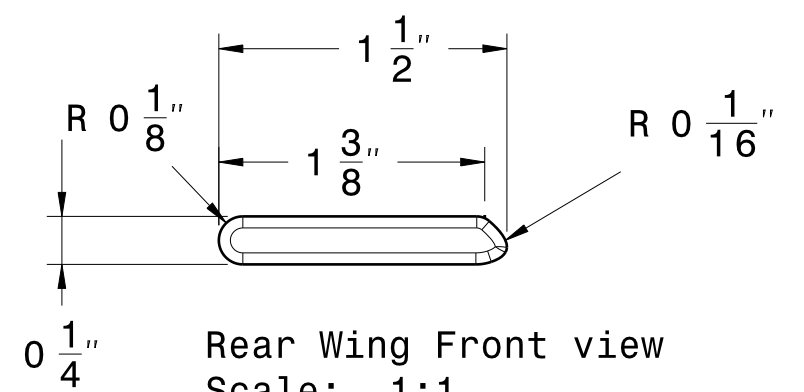
Side Pod Right view
Scale: 1:1



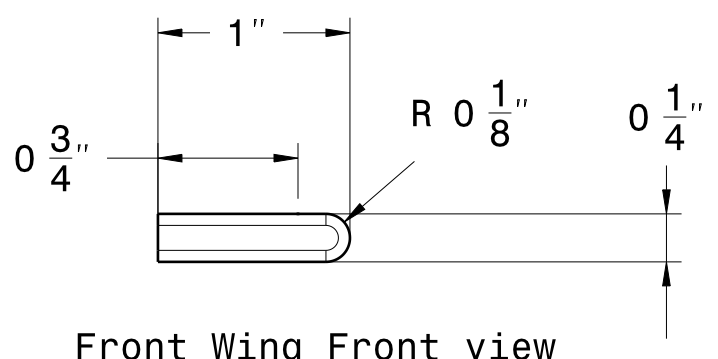
Assy Side view
Scale: 1:2



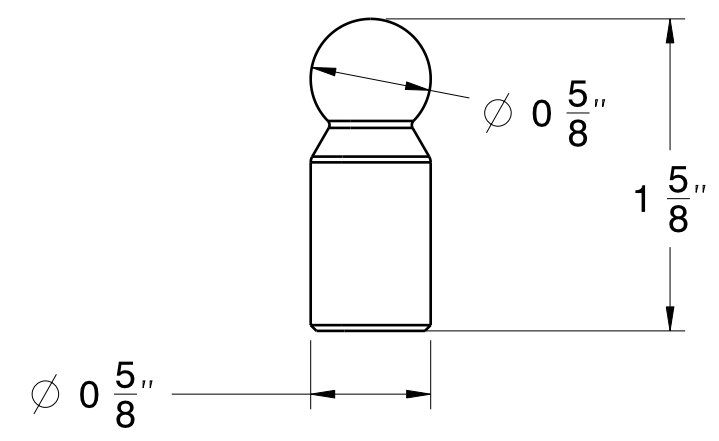
Side Pod Bottom view
Scale: 1:1



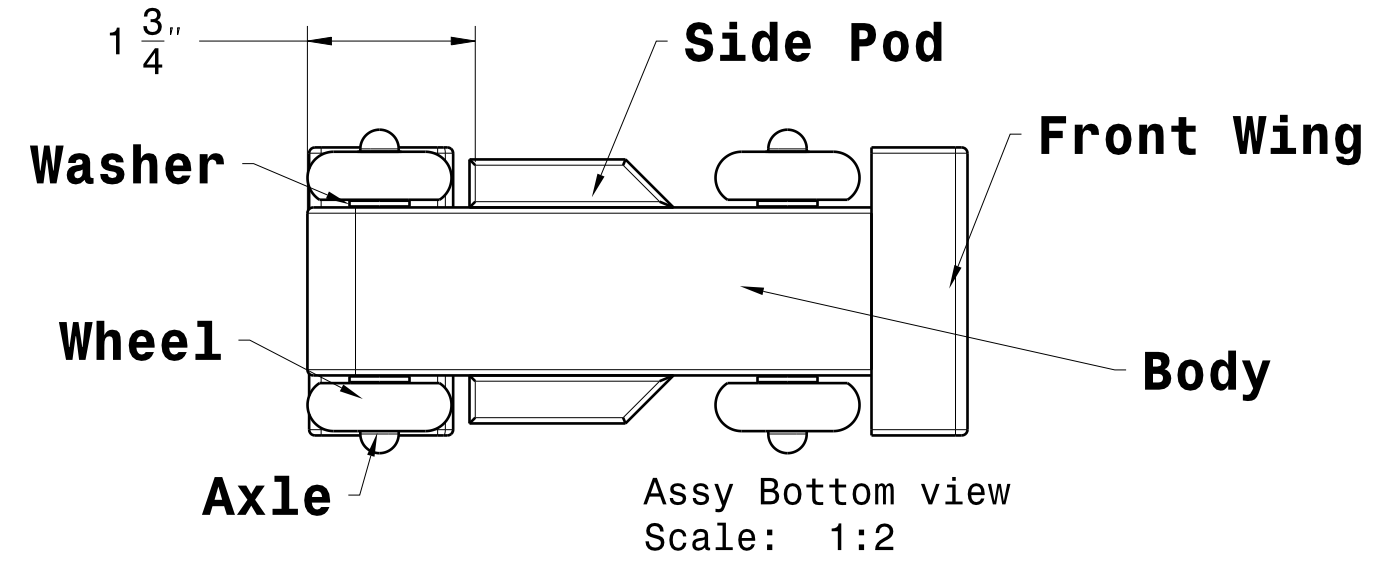
Rear Wing Front view
Scale: 1:1



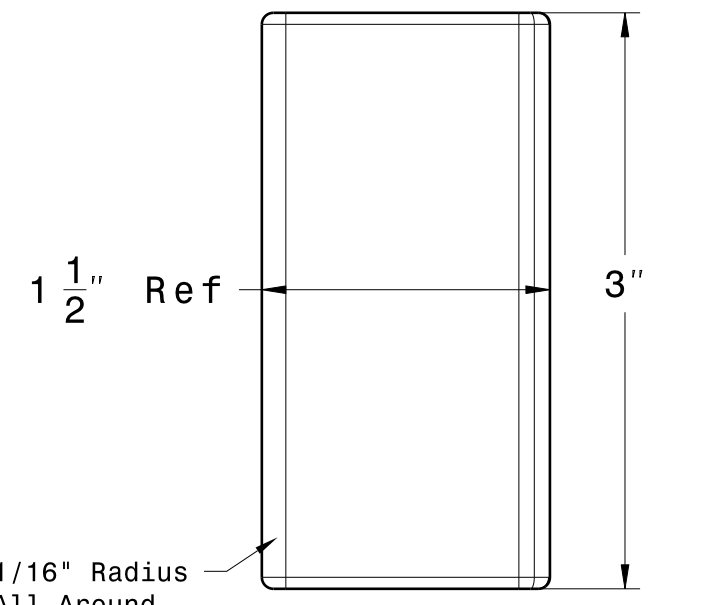
Front Wing Front view
Scale: 1:1



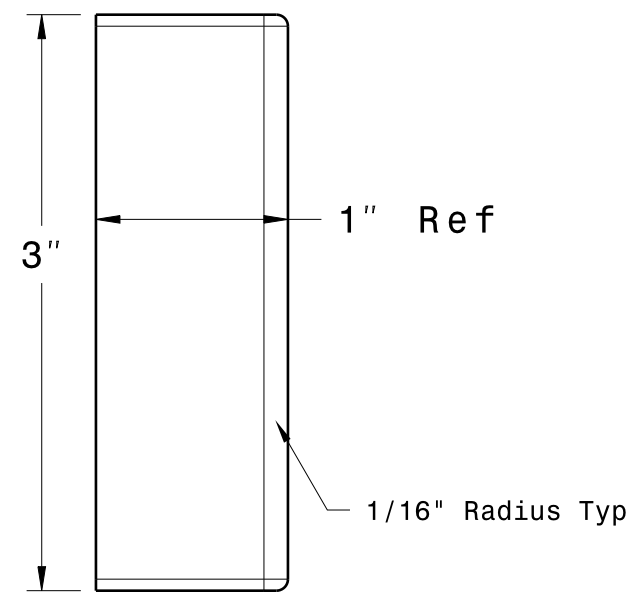
Peg Man Front view
Scale: 1:1



Assy Bottom view
Scale: 1:2

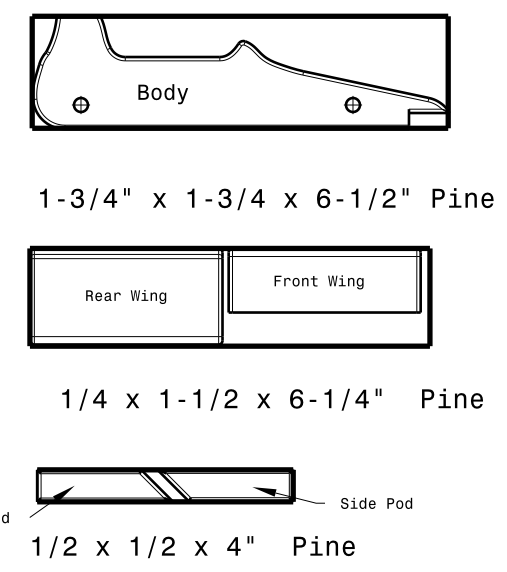


Rear Wing Bottom view
Scale: 1:1



Front Wing Bottom view
Scale: 1:1

Cut Diagram



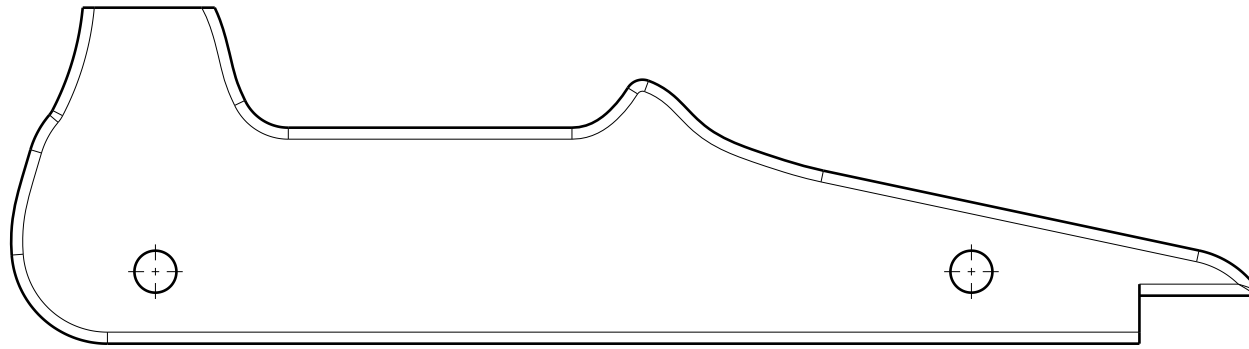
MATERIAL LIST			
Component Description	Number Req'd	Size	Material
Body	1	6-1/2" x 1-3/4" x 1-3/4"	Pine
Side Pod	2	2-1/8" x 1/2" x 1/2"	Pine
Front Wing	1	1" x 1/4" x 3"	Pine
Rear Wing	1	1-1/2" x 1/4" x 3"	Pine
Wheel	4	1-1/2" Dia.	Pine
1/2" Washer	4	1/4" x 1/2" Dia.	Nylon
Axles	4	7/32" x 1-1/4"	Pine
Peg Man	1	5/8" ϕ x 1-5/8"	Pine

This drawing is our property. It can't be reproduced or communicated without our written agreement.

Dave McCagg

DRAWING TITLE
Berg's Race Car

DRAWN BY D R McCagg	DATE 16DEC2022	SIZE C	DRAWING NUMBER Bergs_RaceCar_11-27-22	REV A
CHECKED BY XXX	DATE XXX	SCALE 1:1	WEIGHT(kg) 1.97	SHEET 1/2
DESIGNED BY D R McCagg	DATE 16DEC2022			



Body Side View
Scale: 1:1

This drawing is our property. It can't be reproduced or communicated without our written agreement.		Dave McCagg			
DRAWN BY D R McCagg		DATE 29DEC2022		DRAWING TITLE Berg's Race Car - Body side view	
CHECKED BY XXX		DATE XXX		SIZE A	DRAWING NUMBER Bergs_RaceCar_Drawing_12-16-22
DESIGNED BY D R McCagg		DATE 29DEC2022		SCALE 1:1	WEIGHT(kg) XXX
				SHEET	2/2

D

C

B

A

D

A

4

4

3

3

2

2

1

1

