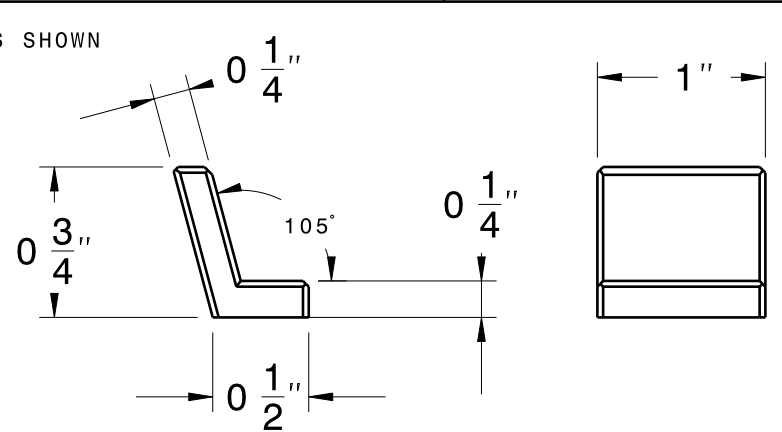
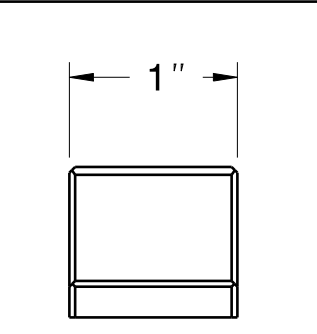


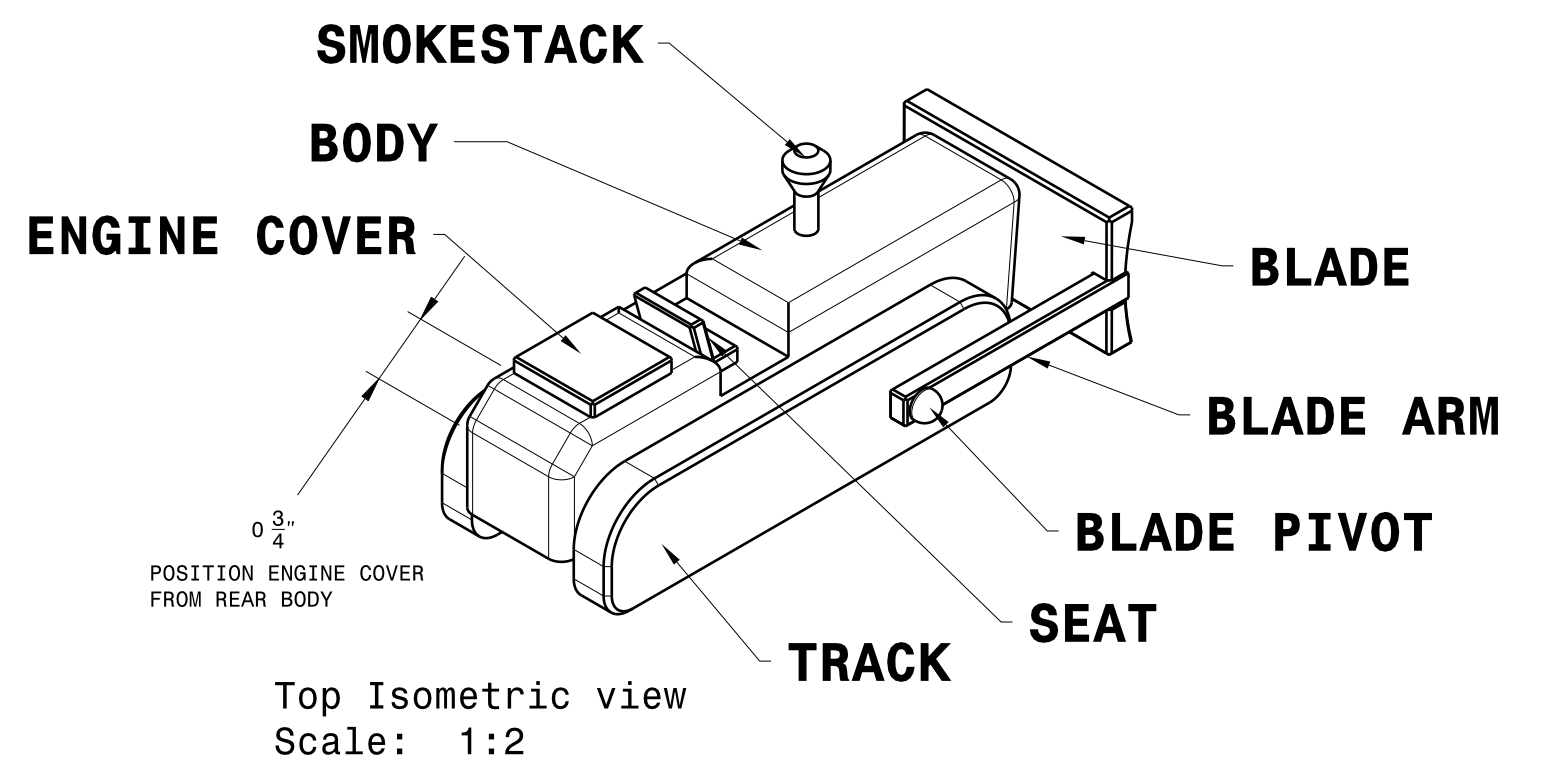
Body Top view  
Scale: 1:1



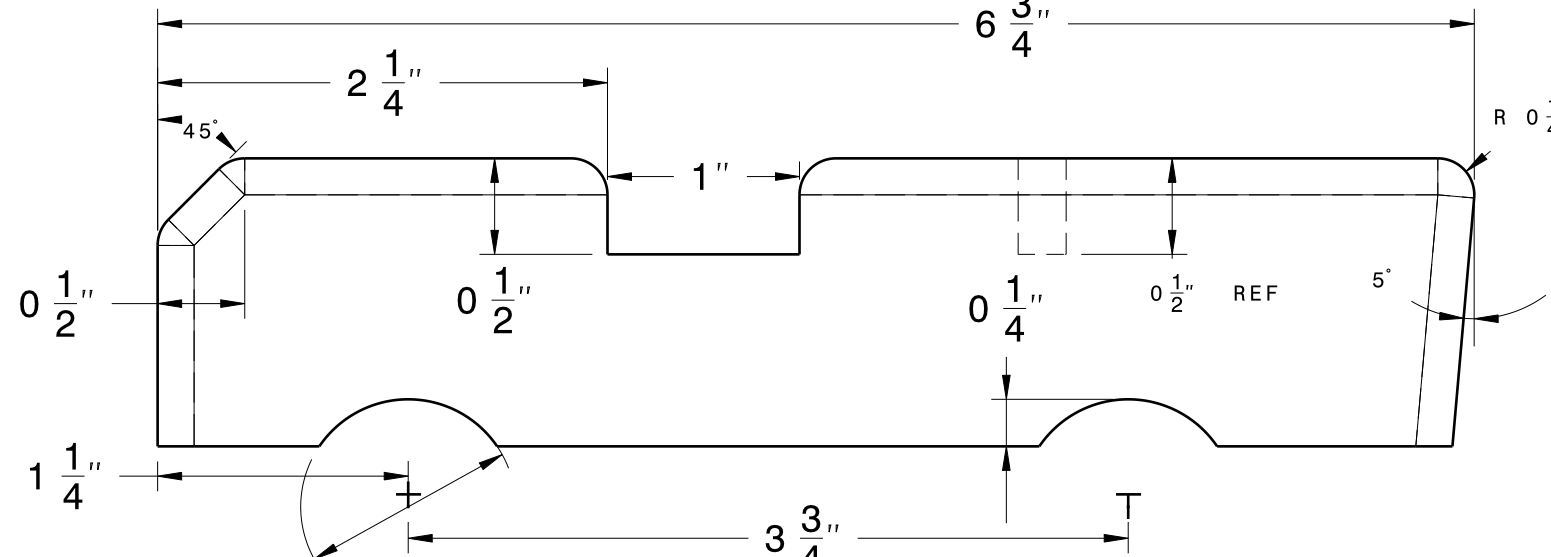
Seat Side view  
Scale: 1:1



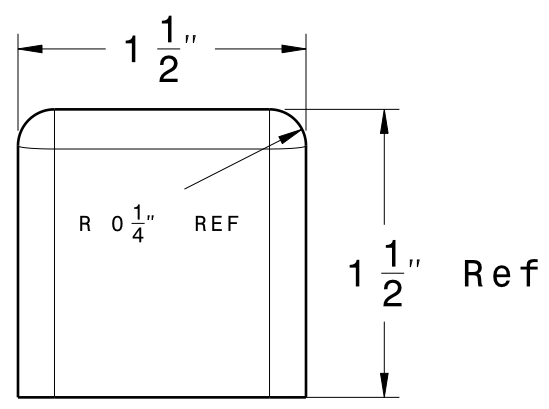
Seat Top view  
Scale: 1:1



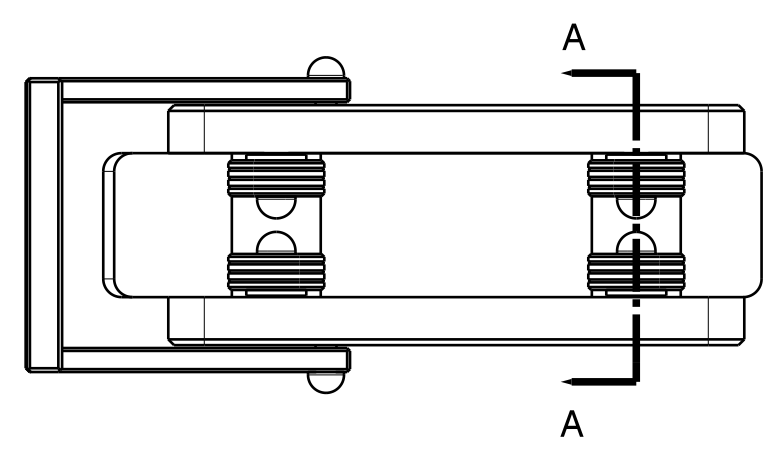
Top Isometric view  
Scale: 1:2



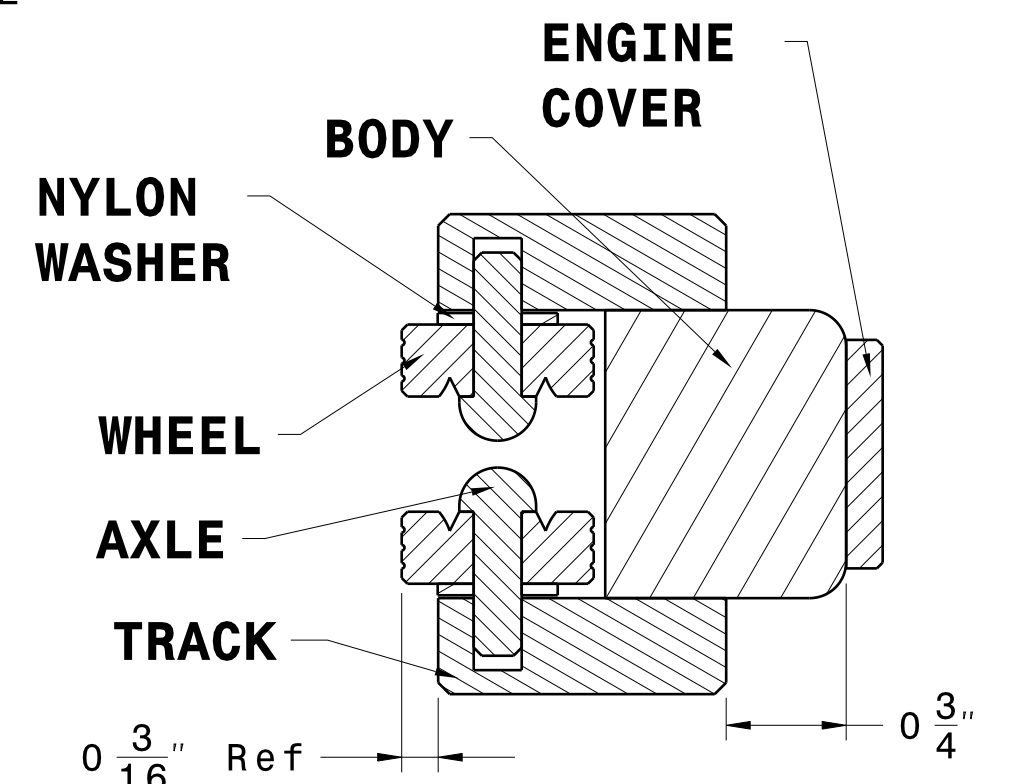
Body Side view  
Scale: 1:1



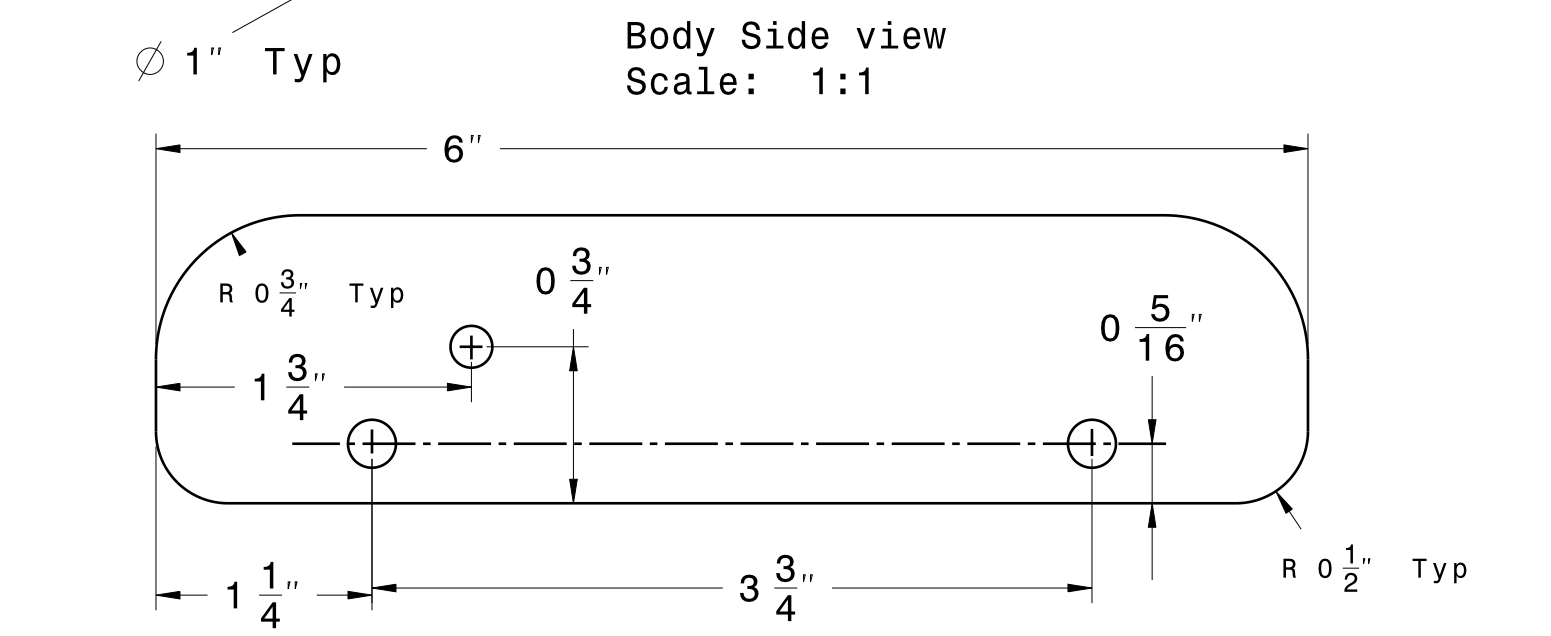
Body Right view  
Scale: 1:1



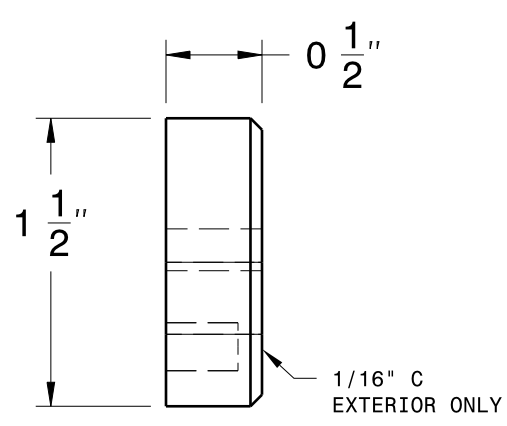
Bottom view  
Scale: 1:2



Section cut A-A  
Scale: 1:1

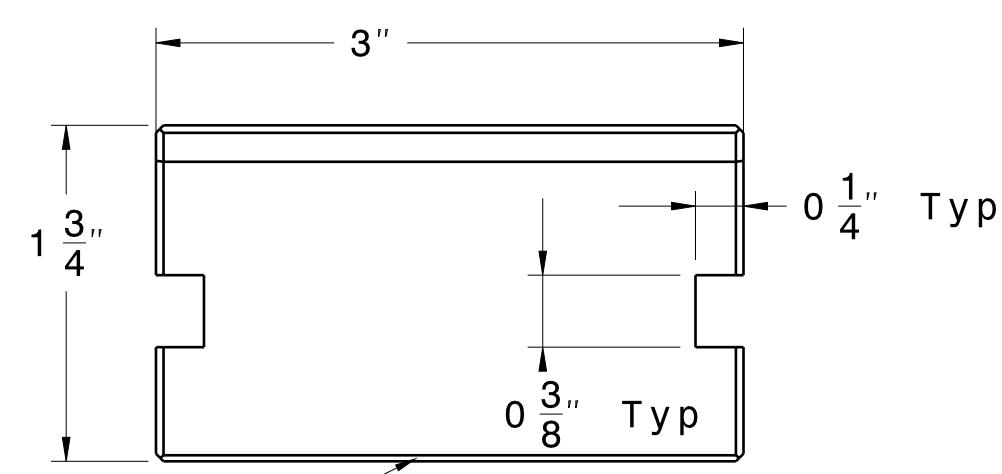


Track Side view  
Scale: 1:1

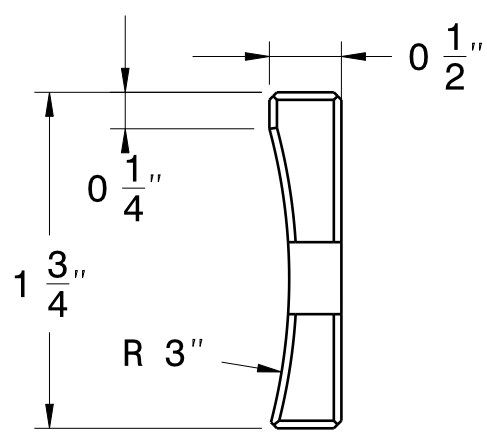


Track Right view  
Scale: 1:1

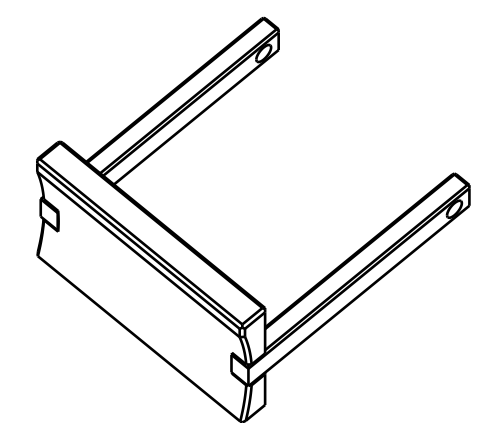
MATERIAL LIST			
Component Description	Number Req'd	Size	Material
Body	1	6-3/4" x 1-1/2" x 1-1/2"	MAPLE
TRACK - RIGHT HAND	1	6" X 1-1/2" X 1/2"	BLACK WALLNUT
TRACK - LEFT HAND	1	6" X 1-1/2" X 1/2"	BLACK WALLNUT
BLADE	1	3" X 1-3/4" X 1/2"	BLACK WALLNUT
BLADE ARM	2	3-3/4" X 3/8" X 1/4"	MAPLE
BLADE PIVOT	2	1/4" X 1" LONG Craftparts P/N: AP1003	BIRCH
ENGINE COVER	1	1-1/4" X 1-1/4" X 1/4"	BLACK WALLNUT
SEAT	1	1" X 3/4" X 1/2" (TWO PIECES)	BLACK WALLNUT
WHEEL	4	1" DIA. Craftparts P/N: TWT100	BIRCH
AXLE	4	1/4" X 1" LONG Craftparts P/N: AP1003	BIRCH
NYLON WASHER	4	1/4"	NYLON
SMOKE STACK	1	1-1/2" x 5/8" x 1/4" Craftparts P/N: SS1010	MAPLE



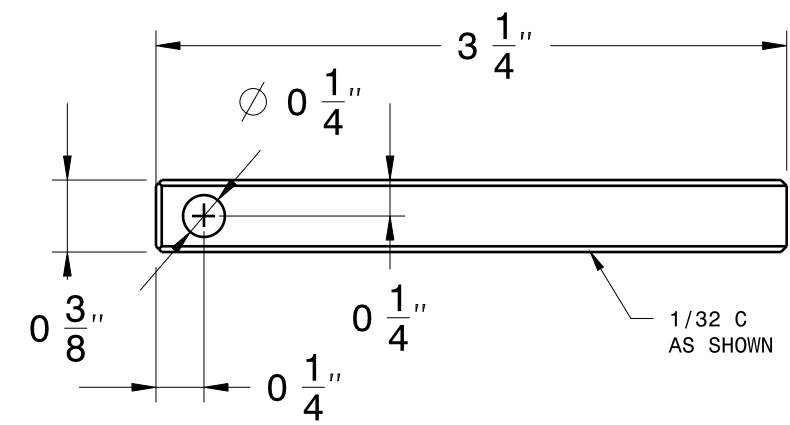
Blade Front view  
Scale: 1:1



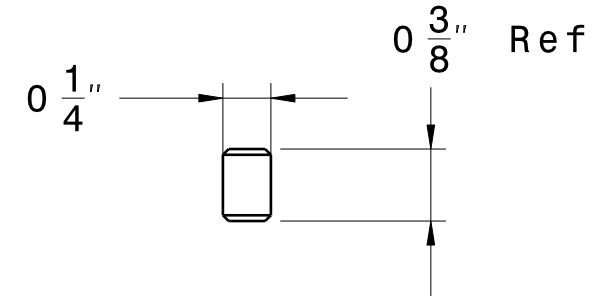
Blade Right view  
Scale: 1:1



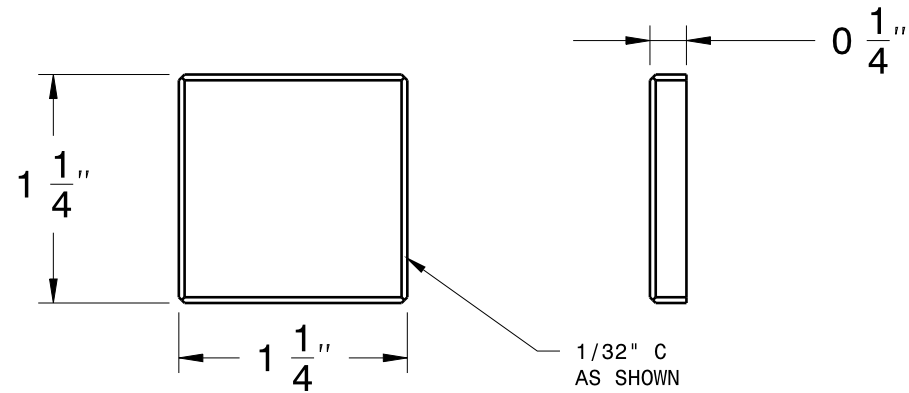
Blade Isometric view  
Scale: 1:2



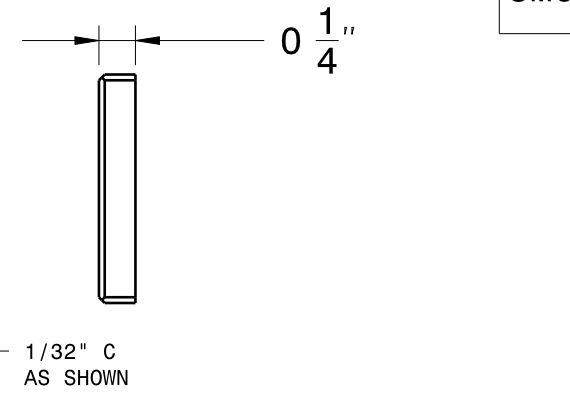
Blade Arm Front view  
Scale: 1:1



Blade Arm Right view  
Scale: 1:1



Engine Cover Top view  
Scale: 1:1



Engine Cover Right view  
Scale: 1:1

This drawing is our property. It can't be reproduced or communicated without our written agreement.

DAN HOLOWICKI DESIGN

DRAWING TITLE			
DAN'S BULLDOZER			
DRAWN BY DR McCAGG	DATE 21NOV2024	SIZE C	DRAWING NUMBER Dans Bulldozer 11-5-24
CHECKED BY XXX	DATE XXX	SCALE 1:1	REV REL
DESIGNED BY DR McCAGG	DATE 21NOV2024	WEIGHT(kg) 3.37	SHEET 1/1