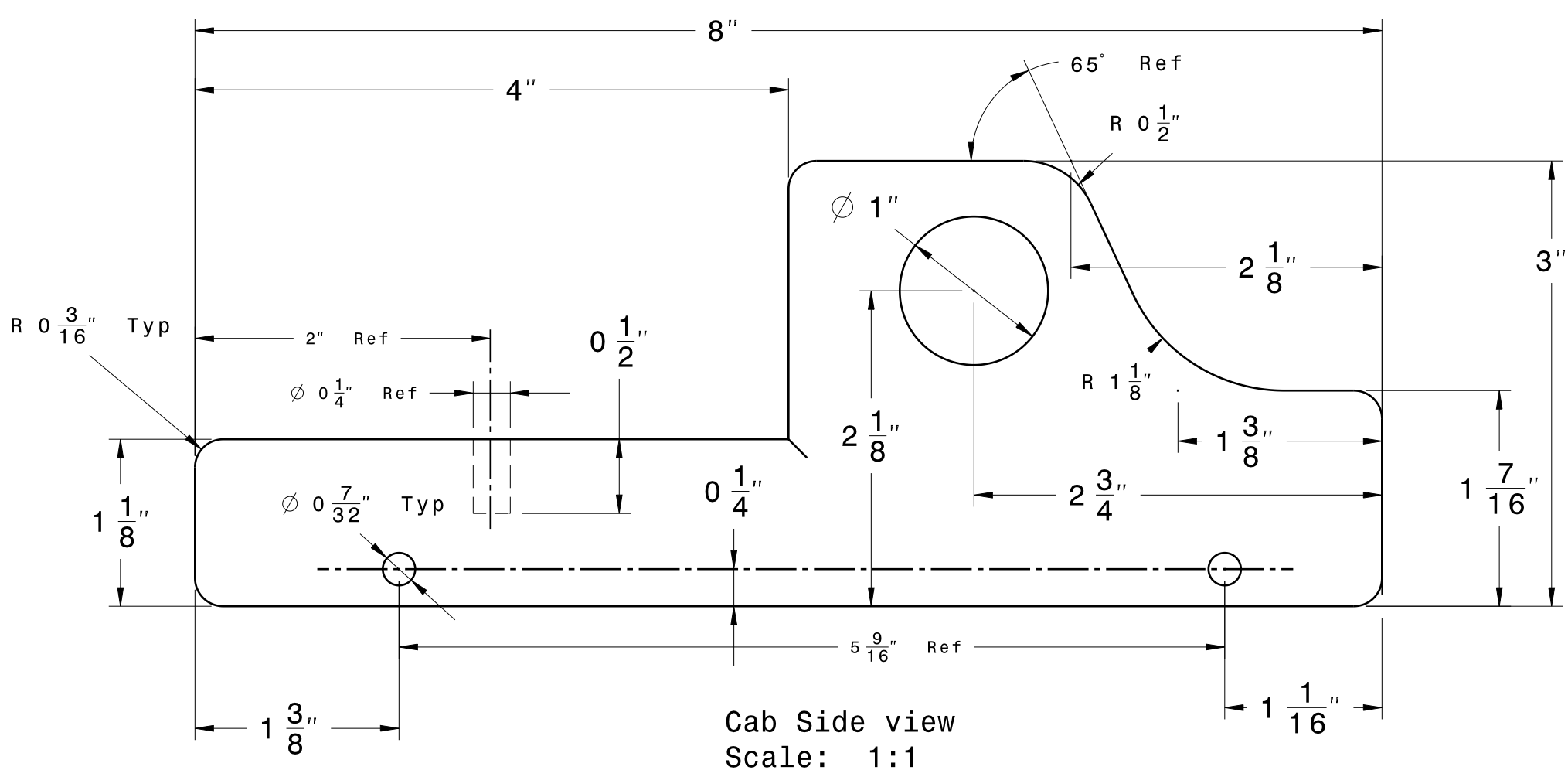
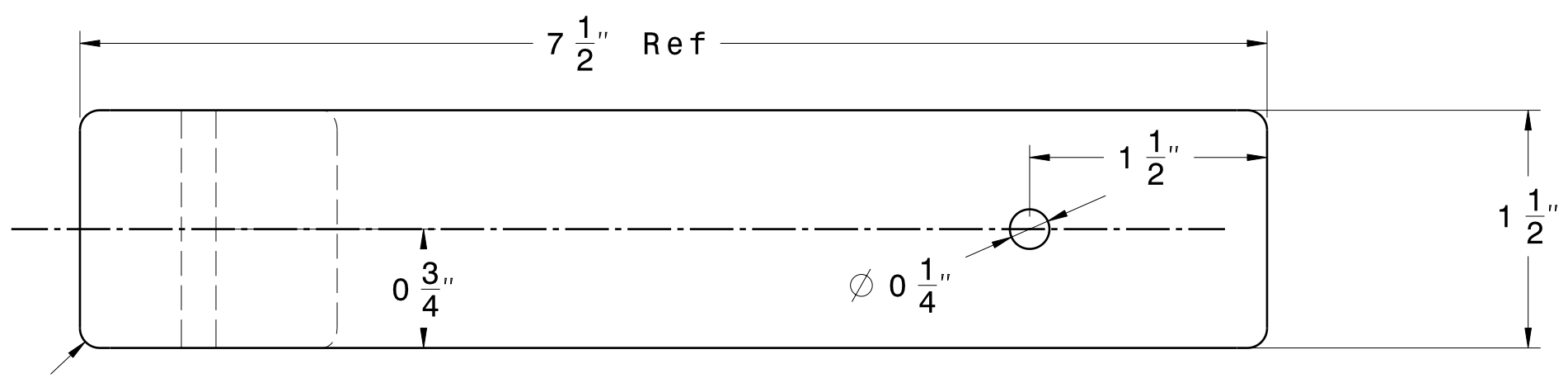


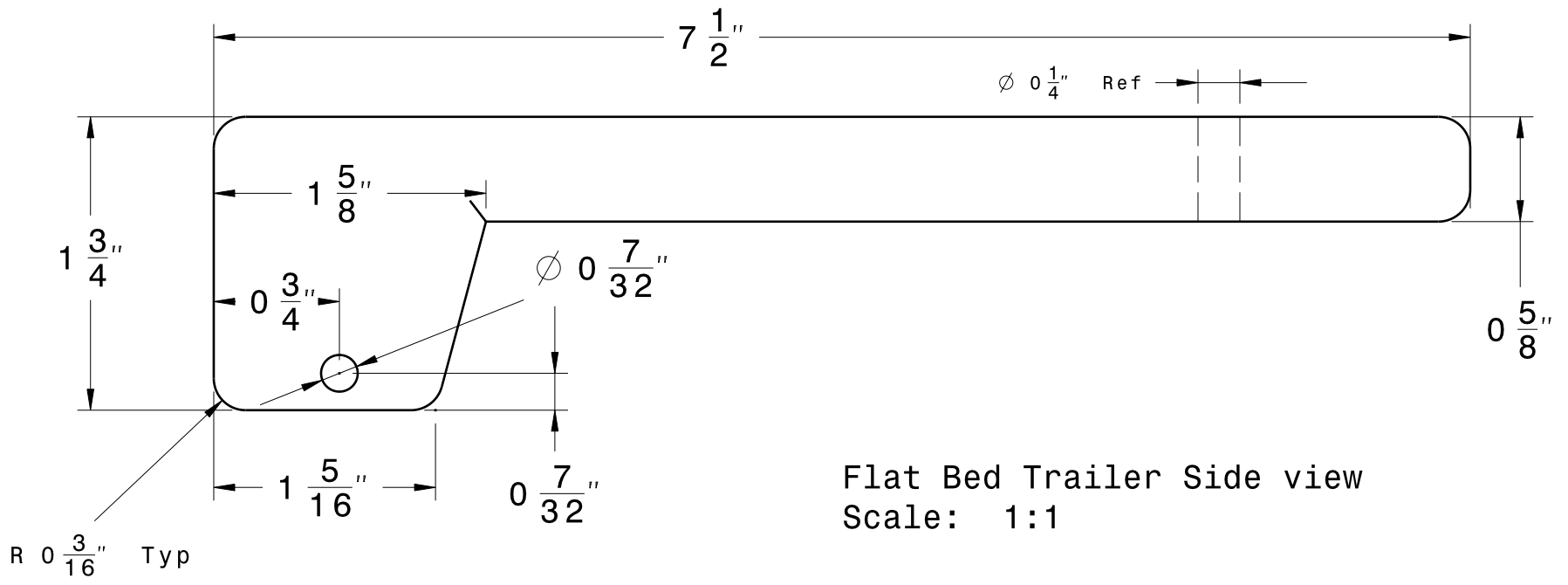
Cab Top view  
Scale: 1:1



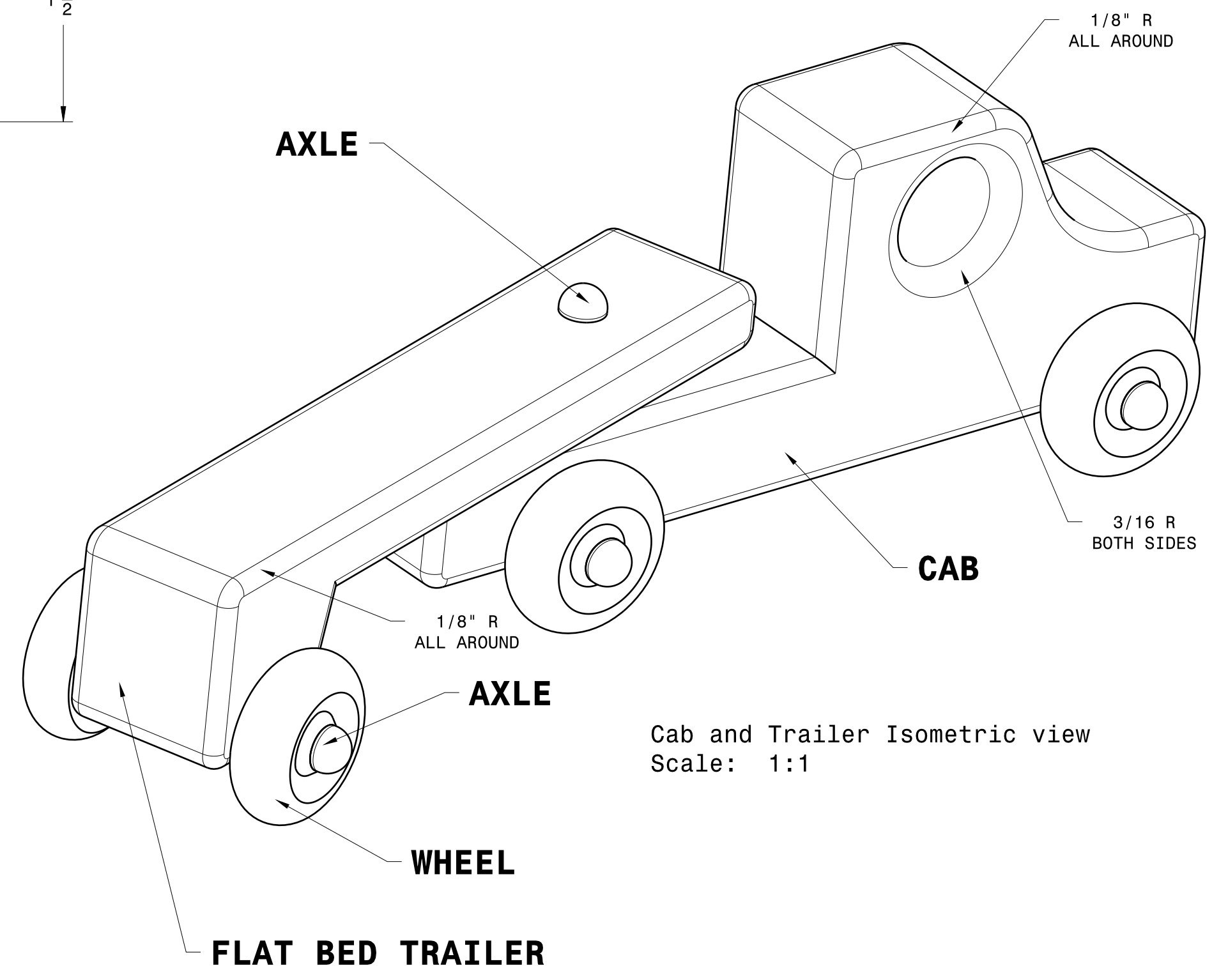
Cab Side view  
Scale: 1:1



Flat Bed Trailer Top view  
Scale: 1:1



Flat Bed Trailer Side view  
Scale: 1:1



Cab and Trailer Isometric view  
Scale: 1:1

MATERIAL LIST			
Component Description	Number Req'd	Size	Material
Cab	1	8" x 3" x 1-1/2"	Ash
Flat Bed Trailer	1	7-1/2" x 1-3/4" x 1-1/2"	Ash
Wheel	6	1-1/2" Dia.	Popular
Axle	7	7/32" Dia X 1-1/4"	Popular

This drawing is our property. It can't be reproduced or communicated without our written agreement.

DRAWN BY  
**D.R. McCagg**

CHECKED BY  
**XXX**

DESIGNED BY  
**D.R. McCagg**

<p><b>Dan Holowicki Design</b></p> <p>DRAWING TITLE <b>Dan's Flat Bed Truck / Trialer</b></p>			
DATE 10CT2023	DATE XXX	SIZE <b>C</b>	DRAWING NUMBER <b>Dans Flatbed Truck 9-29-23</b>
DATE 10CT2023	DATE XXX	SCALE 1:1	WEIGHT(kg) 4.02
SHEET 1/1		REV <b>A</b>	