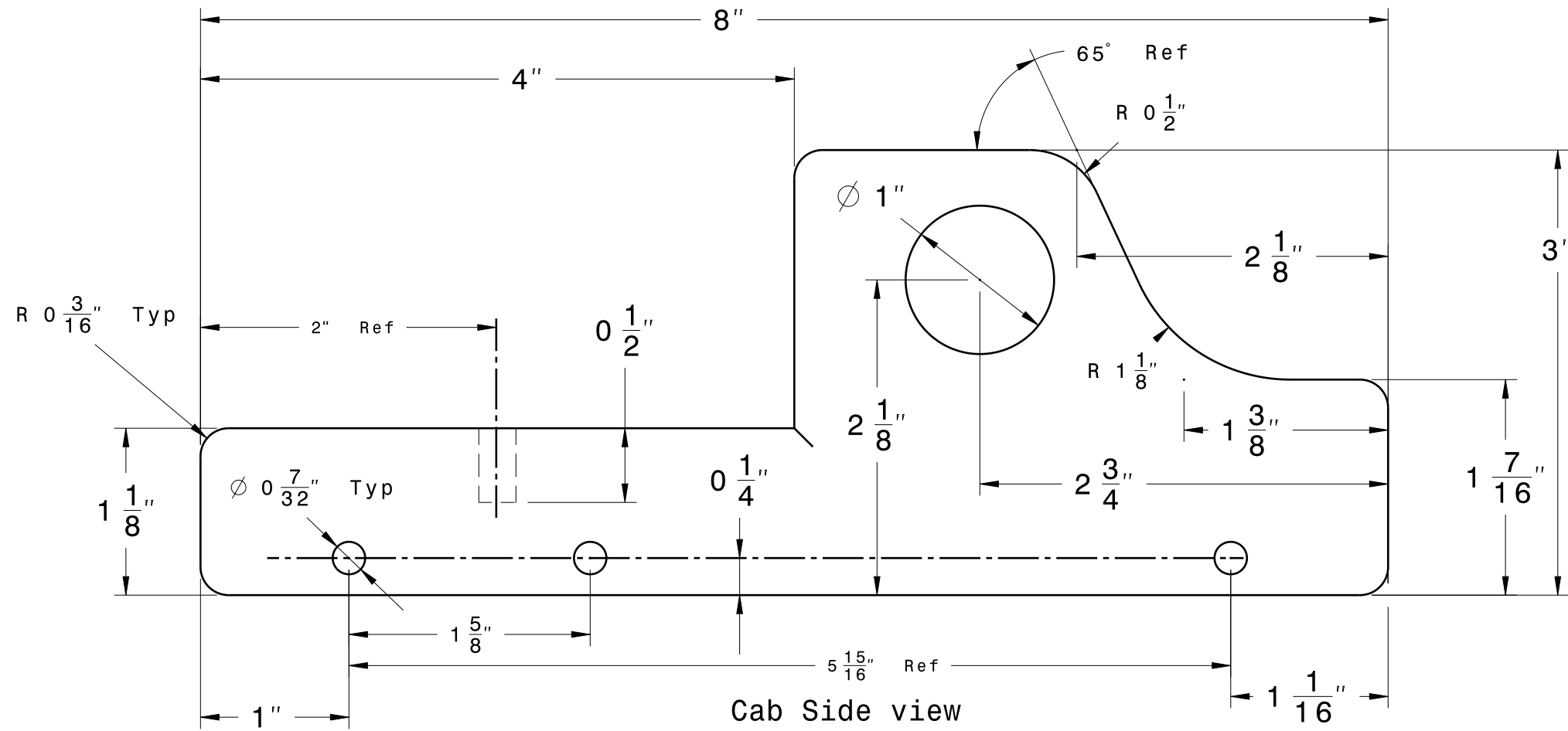
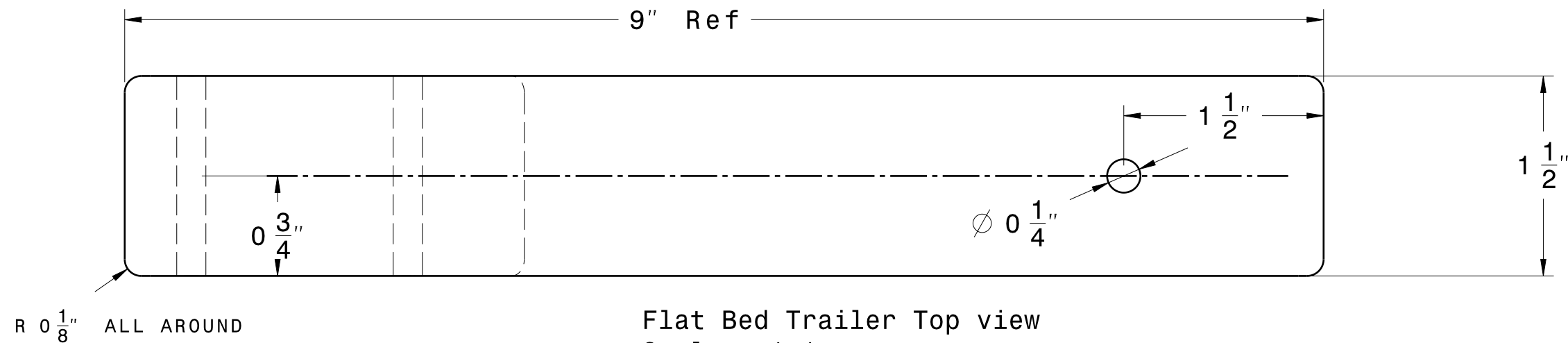


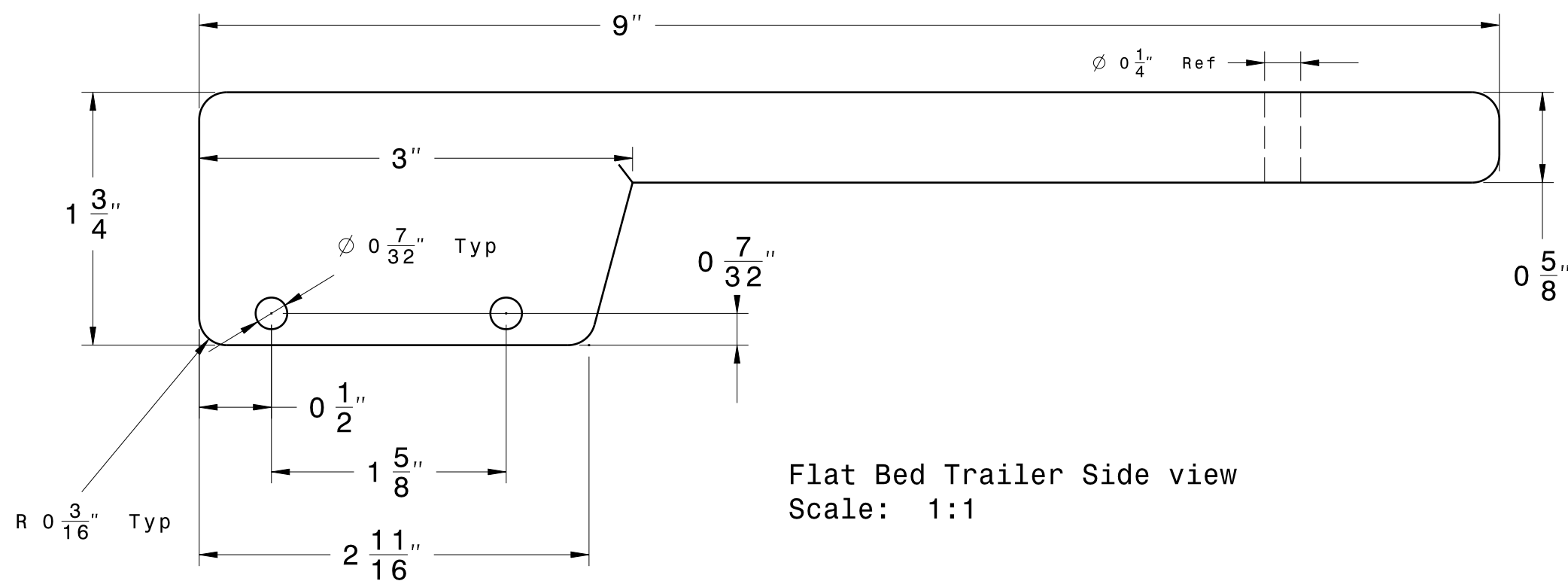
Cab Top view
Scale: 1:1



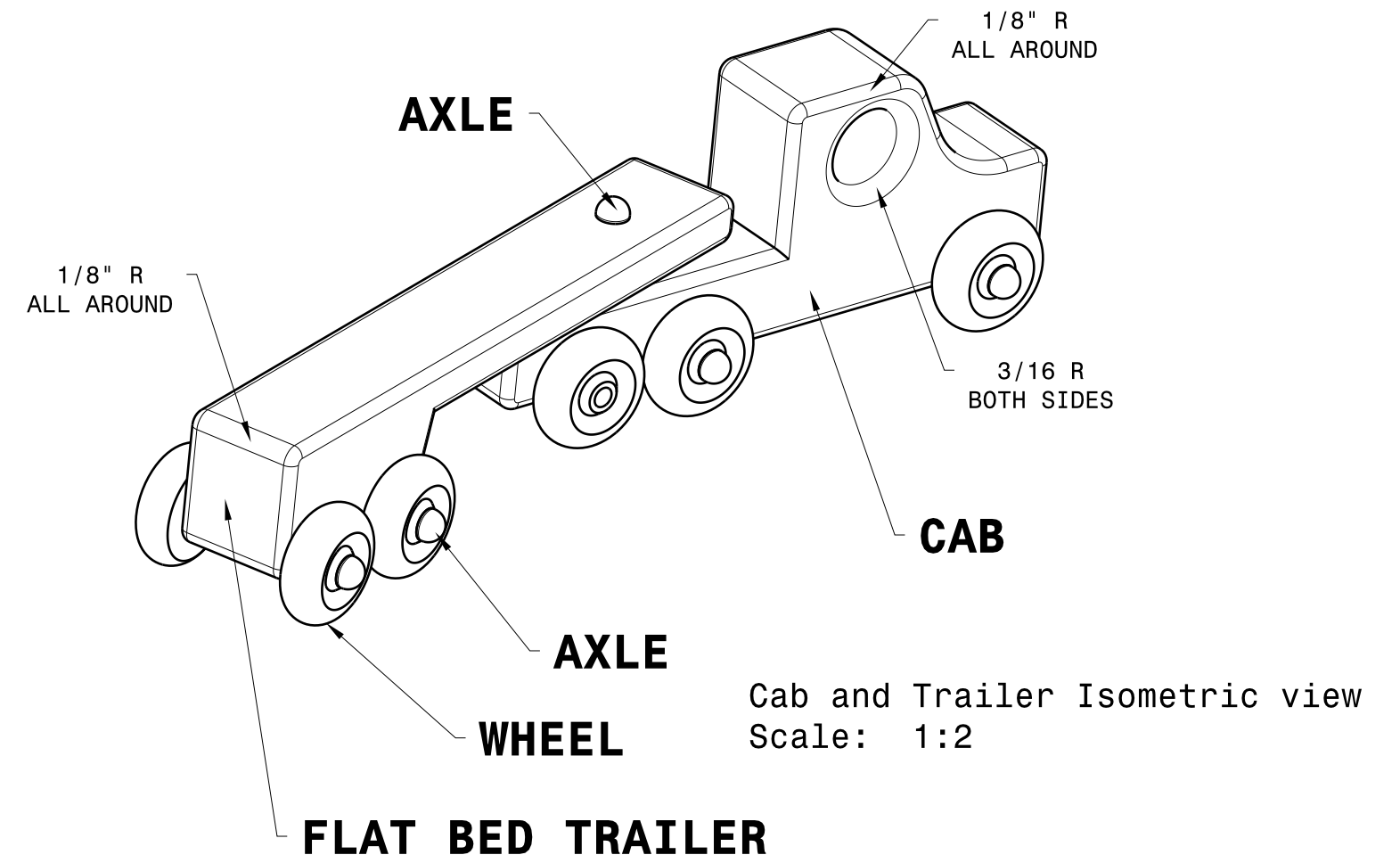
Cab Side view
Scale: 1:1



Flat Bed Trailer Top view
Scale: 1:1



Flat Bed Trailer Side view
Scale: 1:1



Cab and Trailer Isometric view
Scale: 1:2

MATERIAL LIST			
Component Description	Number Req'd	Size	Material
Cab	1	8" x 3" x 1-1/2"	Ash
Flat Bed Trailer	1	9" x 1-3/4" x 1-1/2"	Ash
Wheel	8	1-1/2" Dia.	Popular
Axle	9	7/32" Dia X 1-1/4"	Popular

This drawing is our property. It can't be reproduced or communicated without our written agreement.

Dan Holowicki Design

DRAWING TITLE

Dan's Dual Wheel Flat Bed Truck / Trialer

DRAWN BY

D.R. McCagg

DATE

20CT2023

CHECKED BY

XXX

DATE

XXX

DESIGNED BY

D.R. McCagg

DATE

20CT2023

SIZE

C

DRAWING NUMBER

Dans_Flatbed_Truck_Dual_Wheels_10-2-23

REV

A

SCALE

1:1

WEIGHT(kg)

4.02

SHEET

1/1