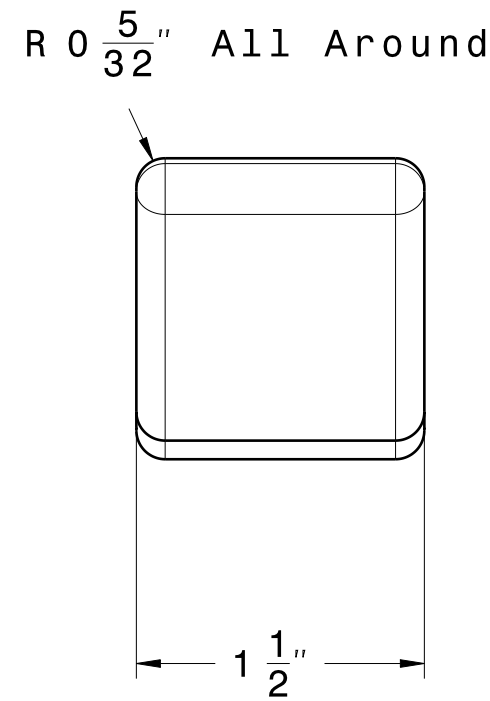
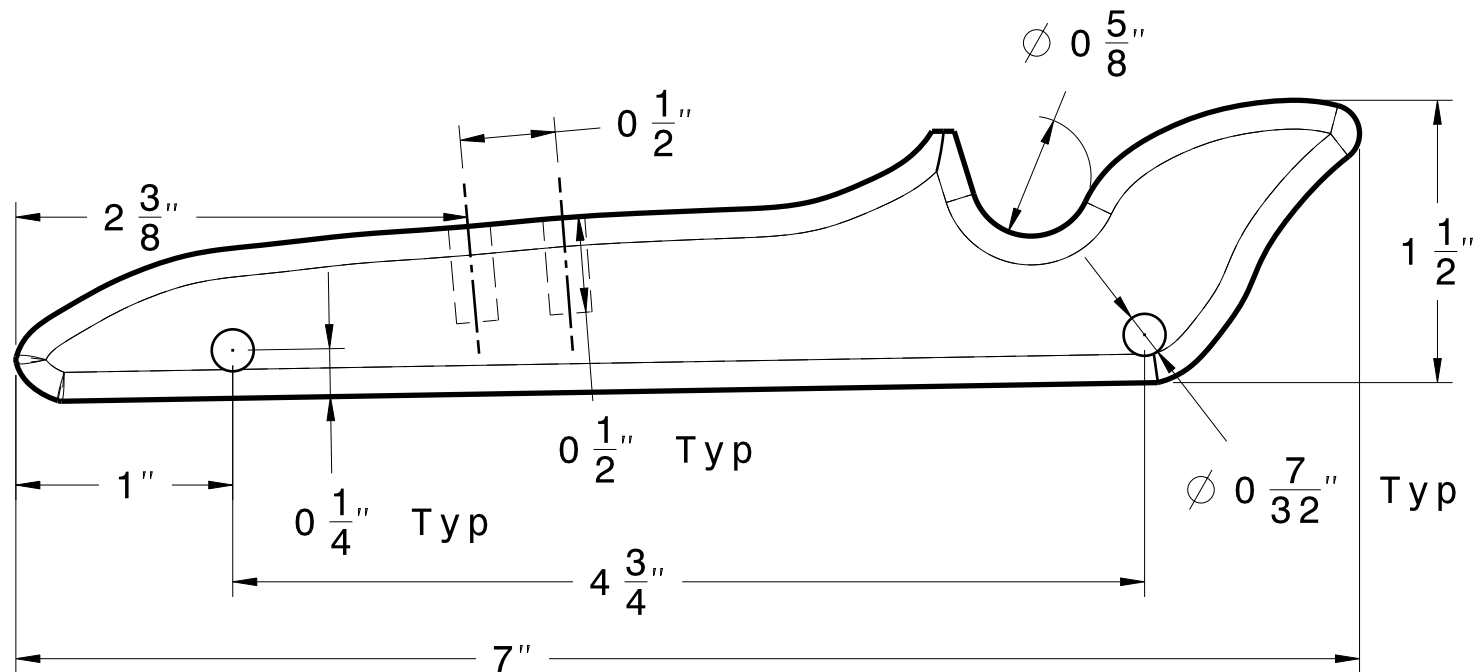


Dragster Isometric view
Scale: 1:2



MATERIAL LIST			
Component Description	Number Req'd	Size	Material
Dragster Body	1	7" x 1-1/2" x 1-1/2"	Pine
Front Wheels	2	1" Dia.	Pine
Rear Wheels	2	1-1/2" Dia.	Pine
Axles	4	7/32" Dia X 1-1/4" Long	Pine
Smoke Stack (Axles Cut Down)	2	7/32" Dia X 1/2" Long	Pine

This drawing is our property. It can't be reproduced or communicated without our written agreement.

DRAWN BY D R McCagg	DATE 21MAR2021
CHECKED BY XXX	DATE XXX
DESIGNED BY D R McCagg	DATE 21MAR2021

DAN HOLOWICKI Design			
DRAWING TITLE MWG Toys - Dragster			
SIZE B	DRAWING NUMBER Dragster_3-16-21	REV X	
SCALE 1:1	WEIGHT (kg) 1.62	SHEET 1/1	

