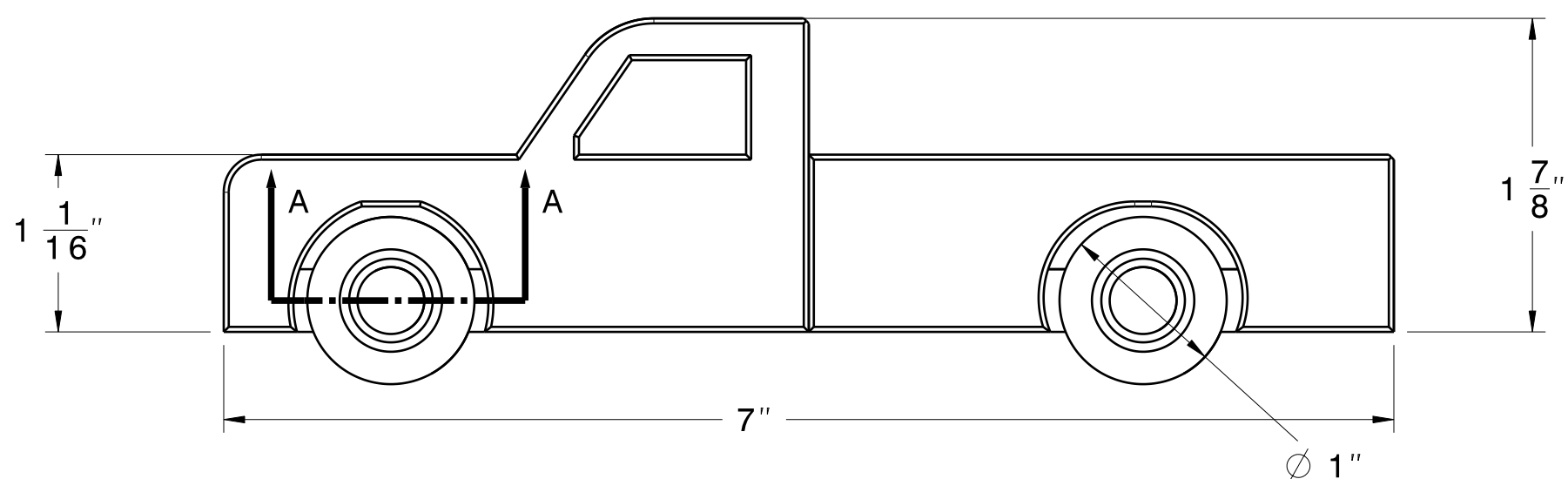
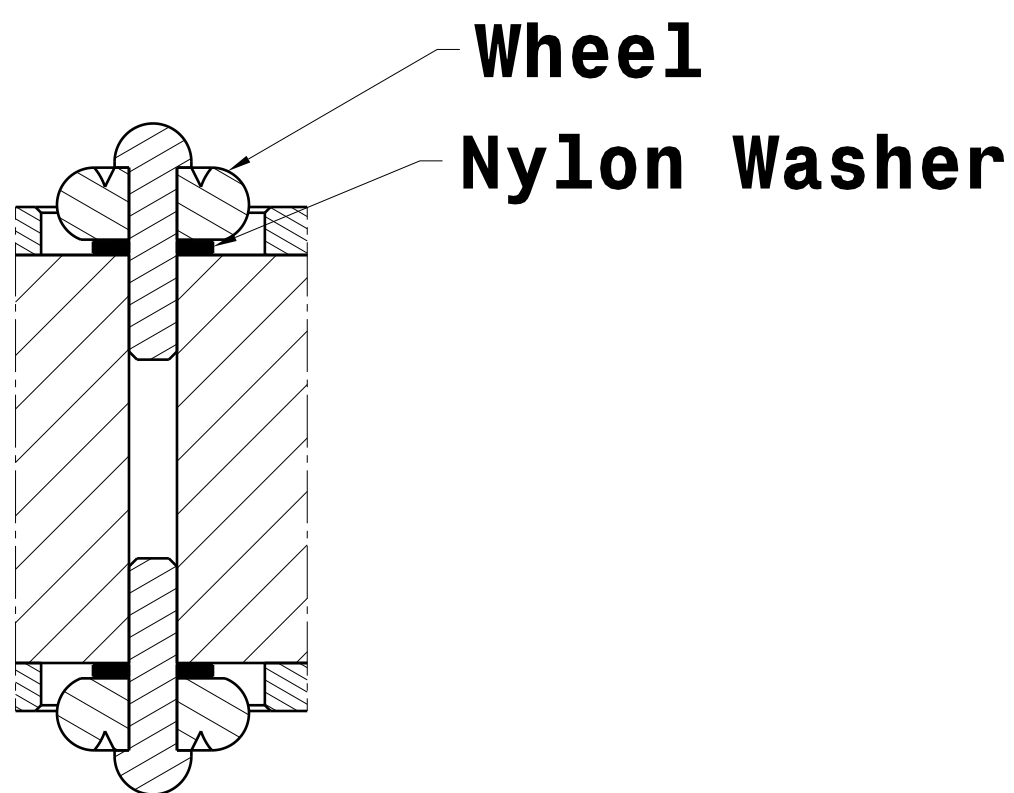


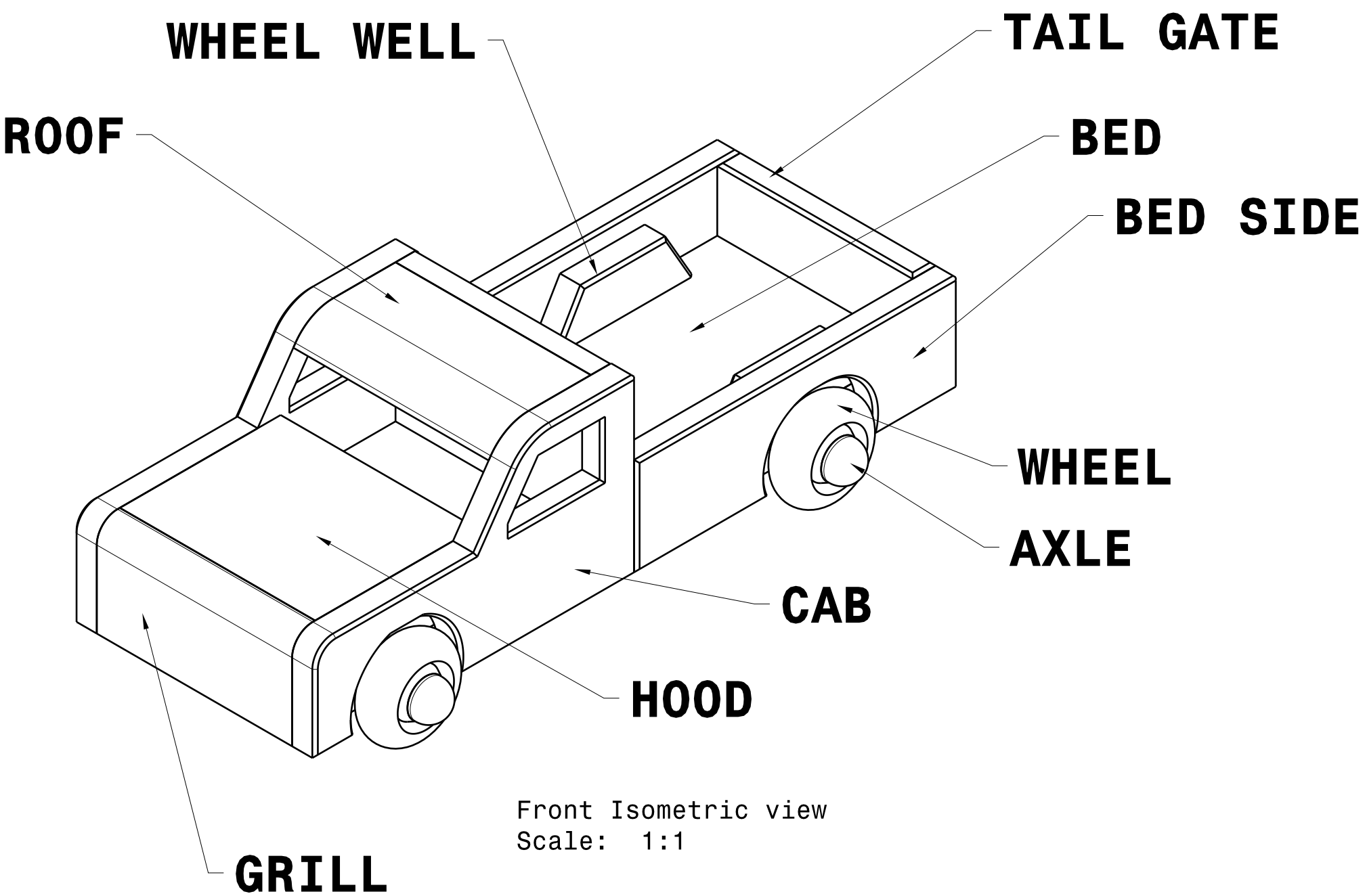
Top view
Scale: 1:1



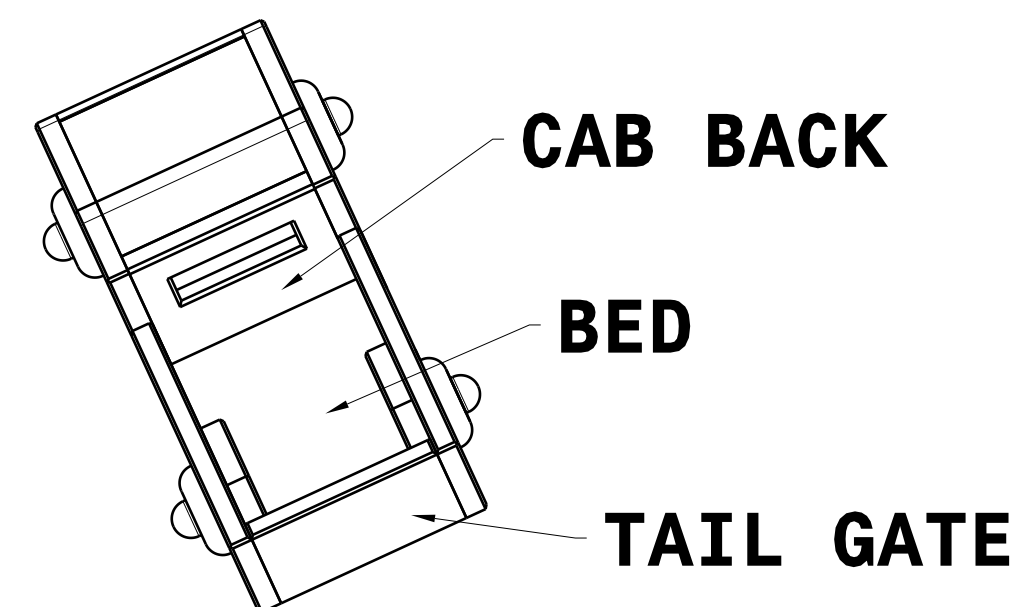
Front view
Scale: 1:1



Section view A-A
Scale: 1:1



Front Isometric view
Scale: 1:1



Rear Isometric view
Scale: 1:2

MATERIAL LIST			
Component Description	Number Req'd	Size	Material
Bed	1	6-1/2" x 2-1/8" x 3/8"	Pine
Cab	1	3-1/2" x 1-7/8" x 1/4"	Pine
Bed Side	1	3-1/2" x 1-1/16" x 1/4"	Pine
Cab Back	1	2-1/8" x 1-1/2" x 1/4"	Pine
Tail Gate	1	2-1/8" x 1-1/16" x 1/4"	Pine
Hood	1	1-3/4" x 2-1/8" x 1/4"	Pine
Grill	1	2-1/8" x 1-1/16" x 1/4"	Pine
Roof	1	2-1/8" x 1-1/8" x 1/4"	Pine
Wheels	4	1" Dia. Woodworks, Ltd. TW1000	Pine
Axles	4	1/4" x 1-1/4" Woodworks, Ltd AP1005	Pine
Wheel Well	2	1-1/2" x 1/2" x 1/4"	Pine
Washer	4	1/4"	Nylon

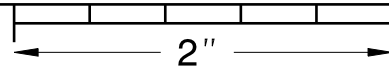
This drawing is our property. It can't be reproduced or communicated without our written agreement.

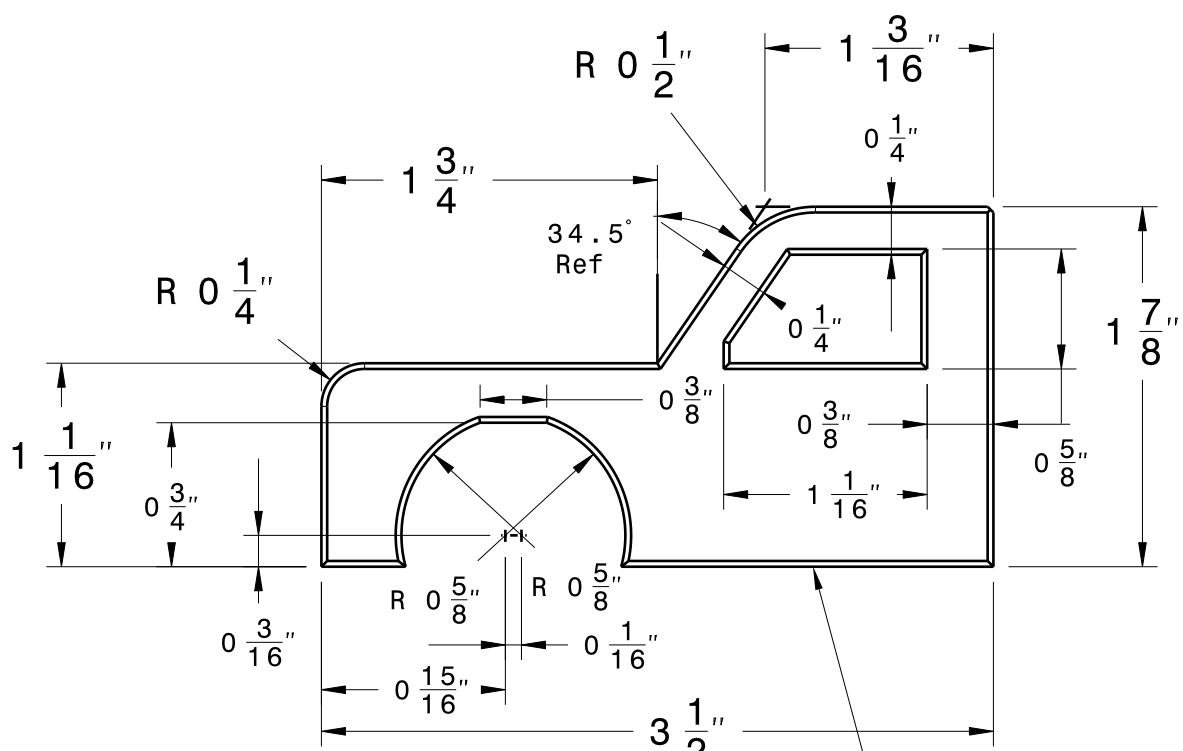
D R McCagg Design

DRAWING TITLE
F-150 Pickup

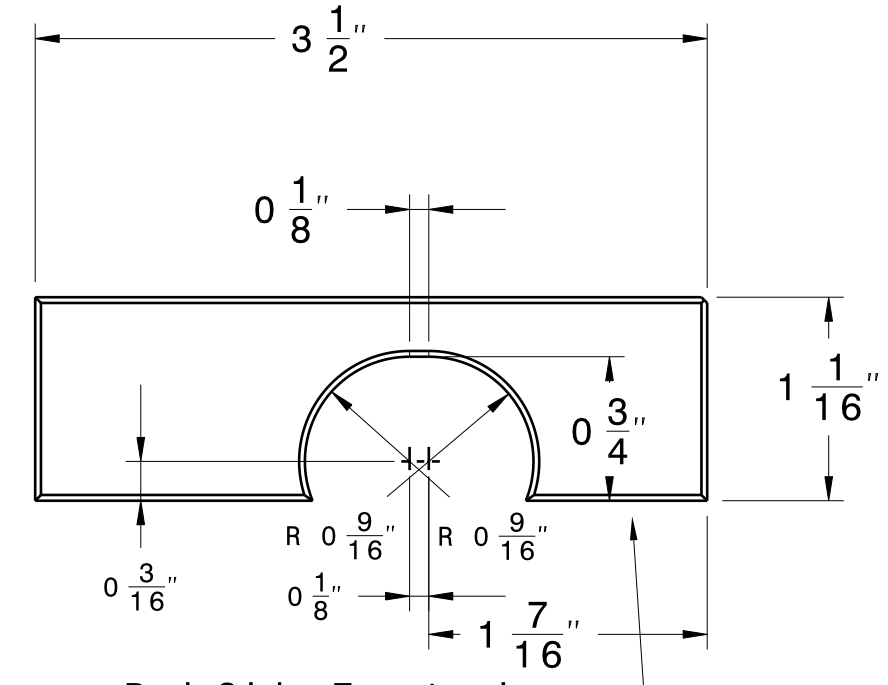
DRAWN BY
D R McCagg
DATE
26MAR2022
CHECKED BY
XXX
DATE
XXX
DESIGNED BY
D R McCagg
DATE
26MAR2022

SIZE C	DRAWING NUMBER F-150 Truck 3-24-22	REV Rel
SCALE 1:1	WEIGHT(kg) 1.63	SHEET 1/2

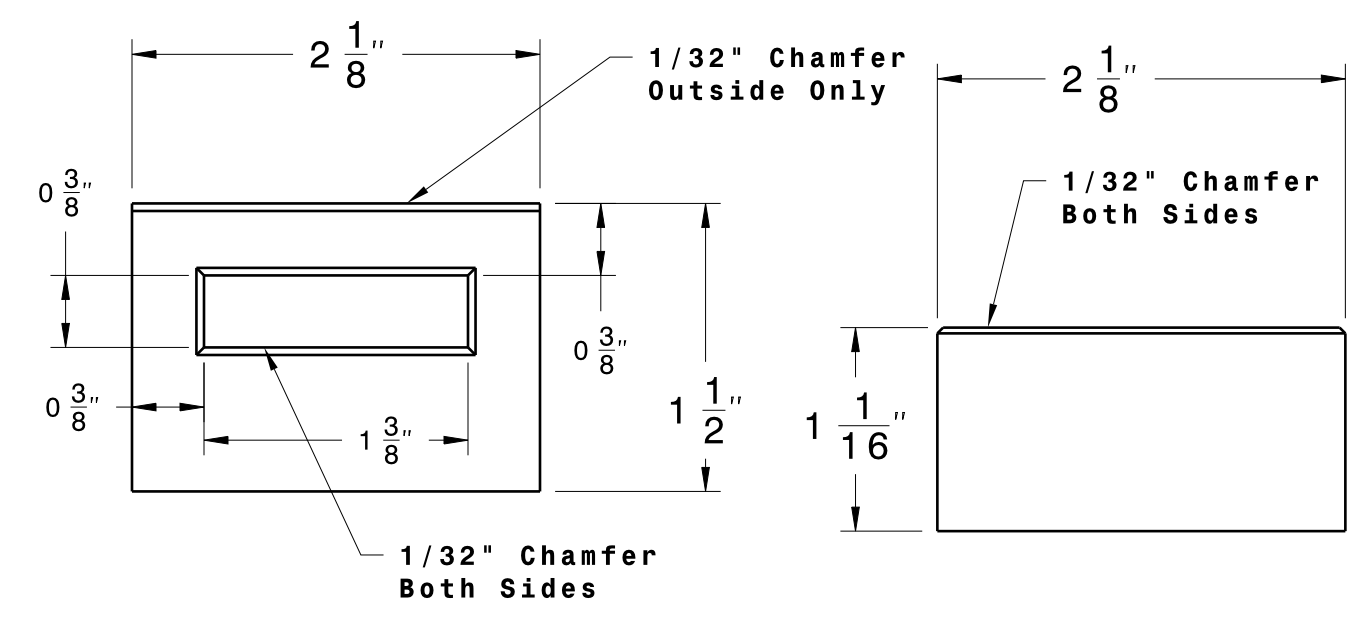




Cab Front view
Scale: 1:1

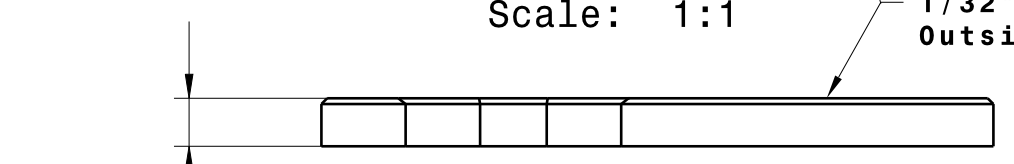


Bed Side Front view
Scale: 1:1

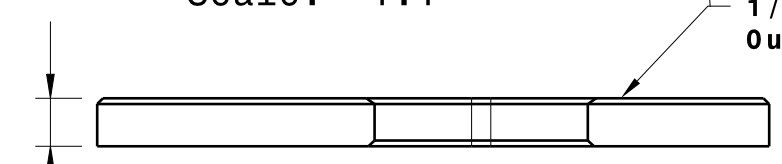


Cab Back Front view
Scale: 1:1

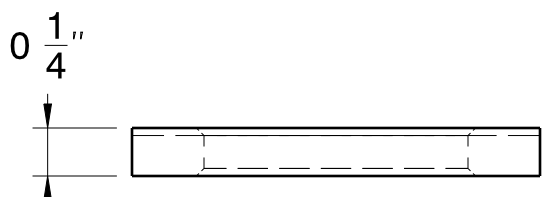
Tail Gate Front view
Scale: 1:1



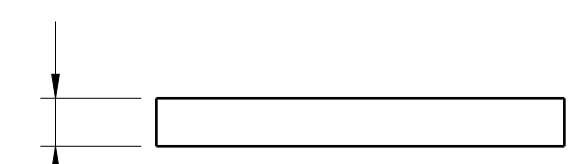
Cab Front Bottom view
Scale: 1:1



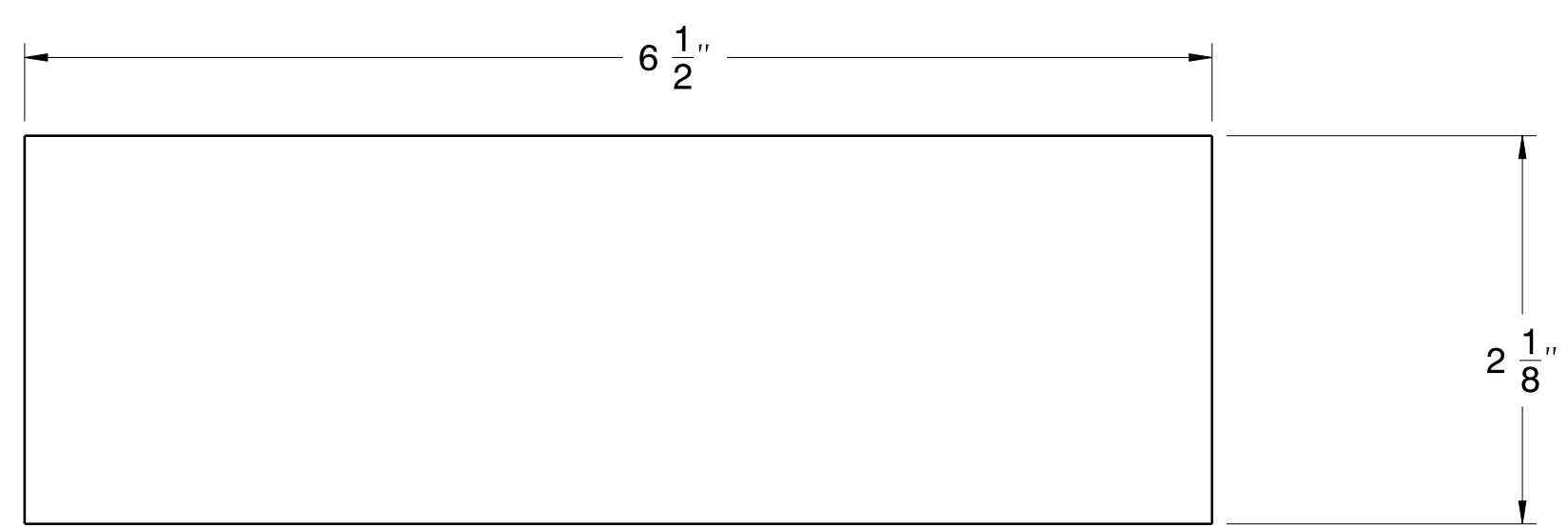
Bed Side Bottom view
Scale: 1:1



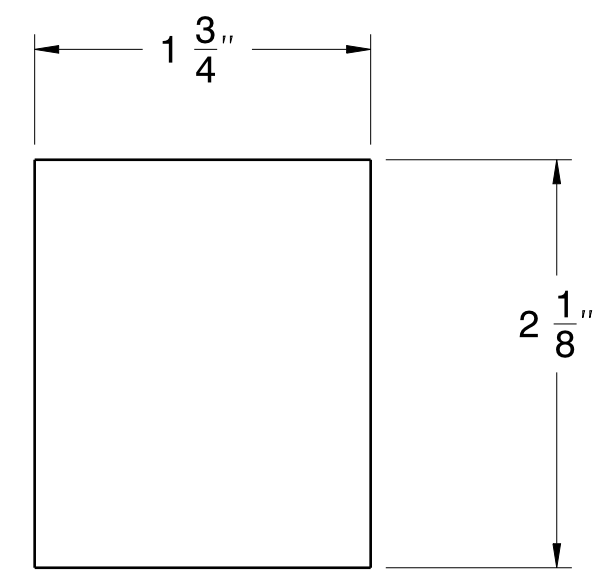
Cab Back Bottom view
Scale: 1:1



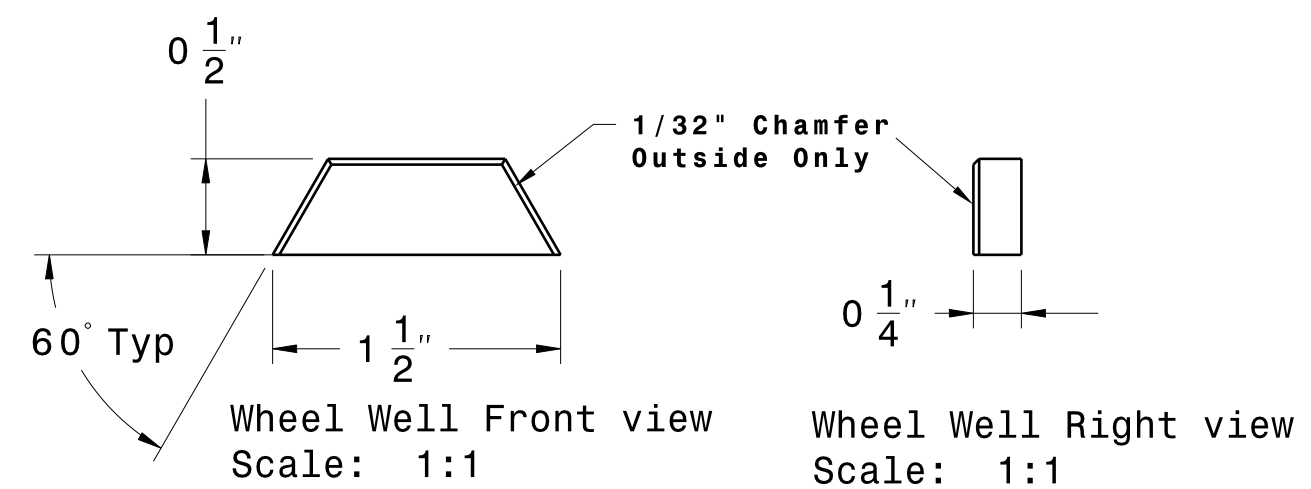
Tail Gate Bottom view
Scale: 1:1



Bed Front view
Scale: 1:1

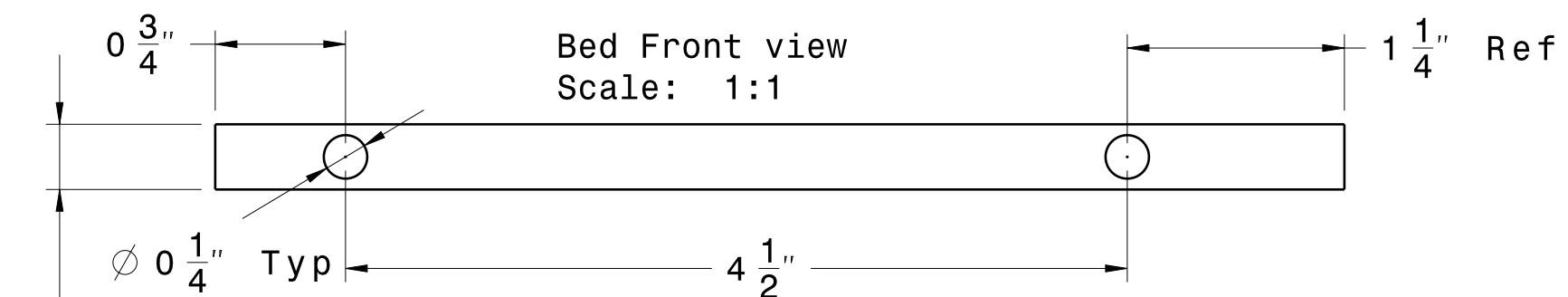


Hood Front view
Scale: 1:1

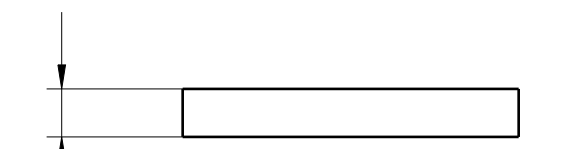


Wheel Well Front view
Scale: 1:1

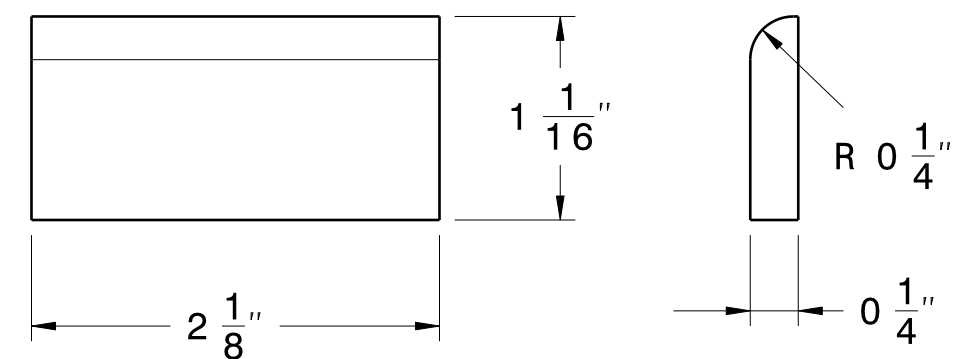
Wheel Well Right view
Scale: 1:1



Bed Bottom view
Scale: 1:1

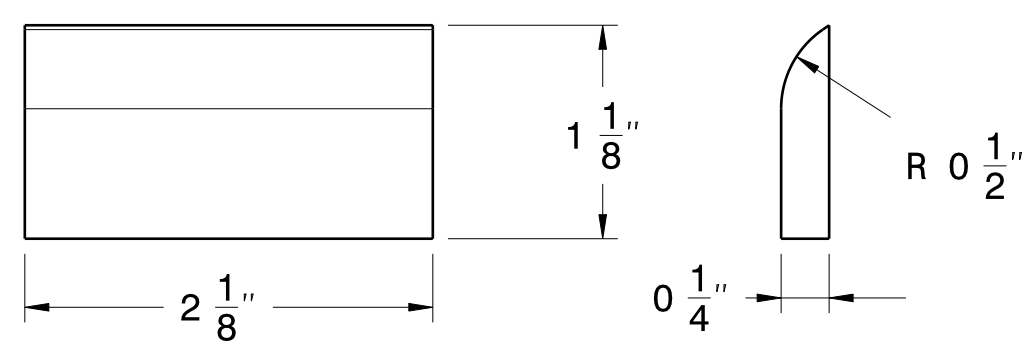


Hood Bottom view
Scale: 1:1



Grill Front view
Scale: 1:1

Grill Right view
Scale: 1:1



Roof Front view
Scale: 1:1

Roof Right view
Scale: 1:1

This drawing is our property. It can't be reproduced or communicated without our written agreement.		D R McCagg Design		
		DRAWING TITLE F-150 Pickup		
DRAWN BY D R McCagg	DATE 26MAR2022	SIZE C	DRAWING NUMBER F-150_Truck_3-24-22	REV Re1
CHECKED BY XXX	DATE XXX	SCALE 1:1	WEIGHT(kg) 1.63	SHEET 2/2
DESIGNED BY D R McCagg	DATE 26MAR2022			

