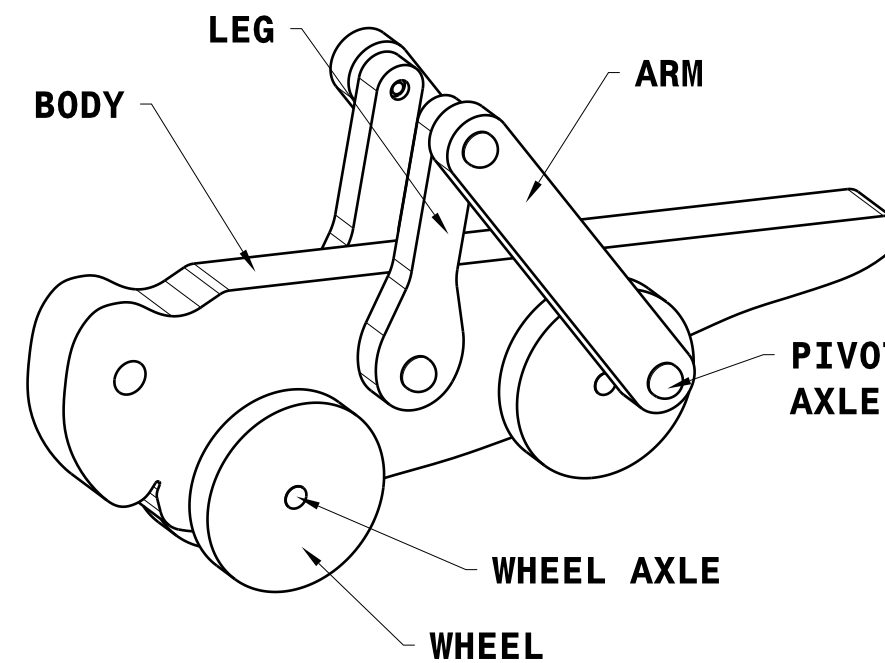
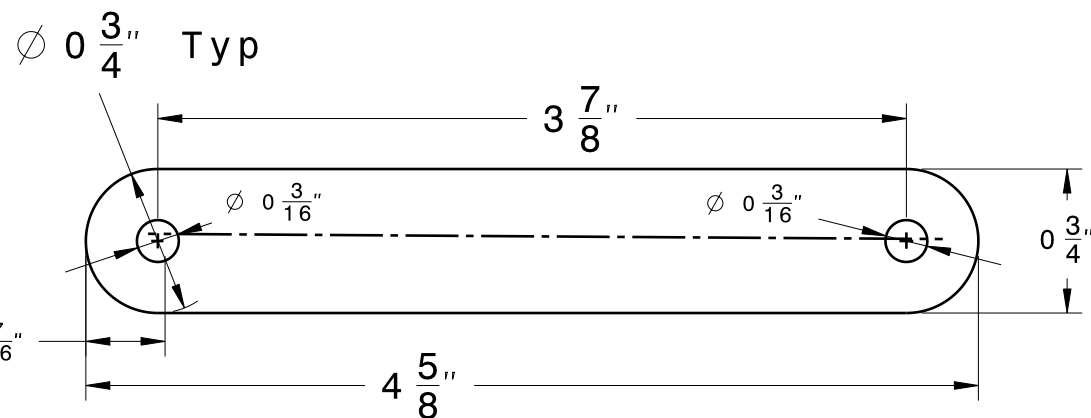


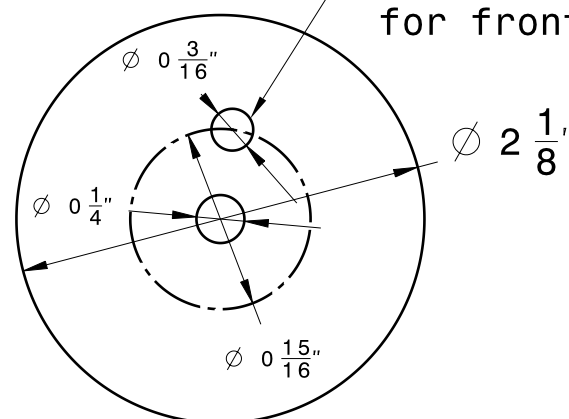
Body Plan View
Scale: 1:1



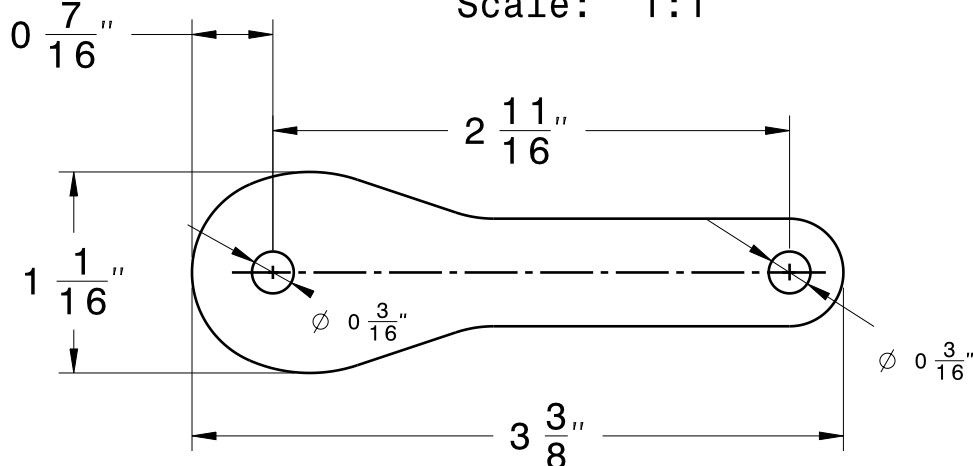
Isometric view
Scale: 1:2



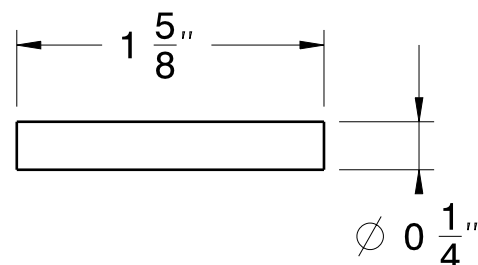
Arm Plan View
Scale: 1:1



Wheel Plan View
Scale: 1:1



Leg Plan view
Scale: 1:1



Wheel Axle
Scale: 1:1

MATERIAL LIST			
Component Description	Number Req'd	Size	Material
Grass Hopper Body	1	10-1/16" x 2-3/4" x 3/4"	Pine
Arm	2	4-11/16" x 7/8" x 3/8"	Pine
Leg	2	3-3/8" x 1-1/16" x 3/8"	Pine
Wheel	4	3-1/8" Dia x 3/8"	Pine
Wheel Axle	2	1-5/8" x 1/4" Dia	Pine
Pivot Axle	6	3/4" x 3/16" Dia.	Pine

D R McCagg			
DRAWING TITLE			
Grass Hopper Pull Toy			
DRAWN BY	DATE	SIZE	DRAWING NUMBER
D R McCagg	14JAN2024	B	GrassHopper_Pull_Toy_1-14-24
CHECKED BY	DATE	SCALE	WEIGHT(kg)
XXX	XXX	1:1	3.03
DESIGNED BY	DATE	SHEET	1/1
D R McCagg	14JAN2024		