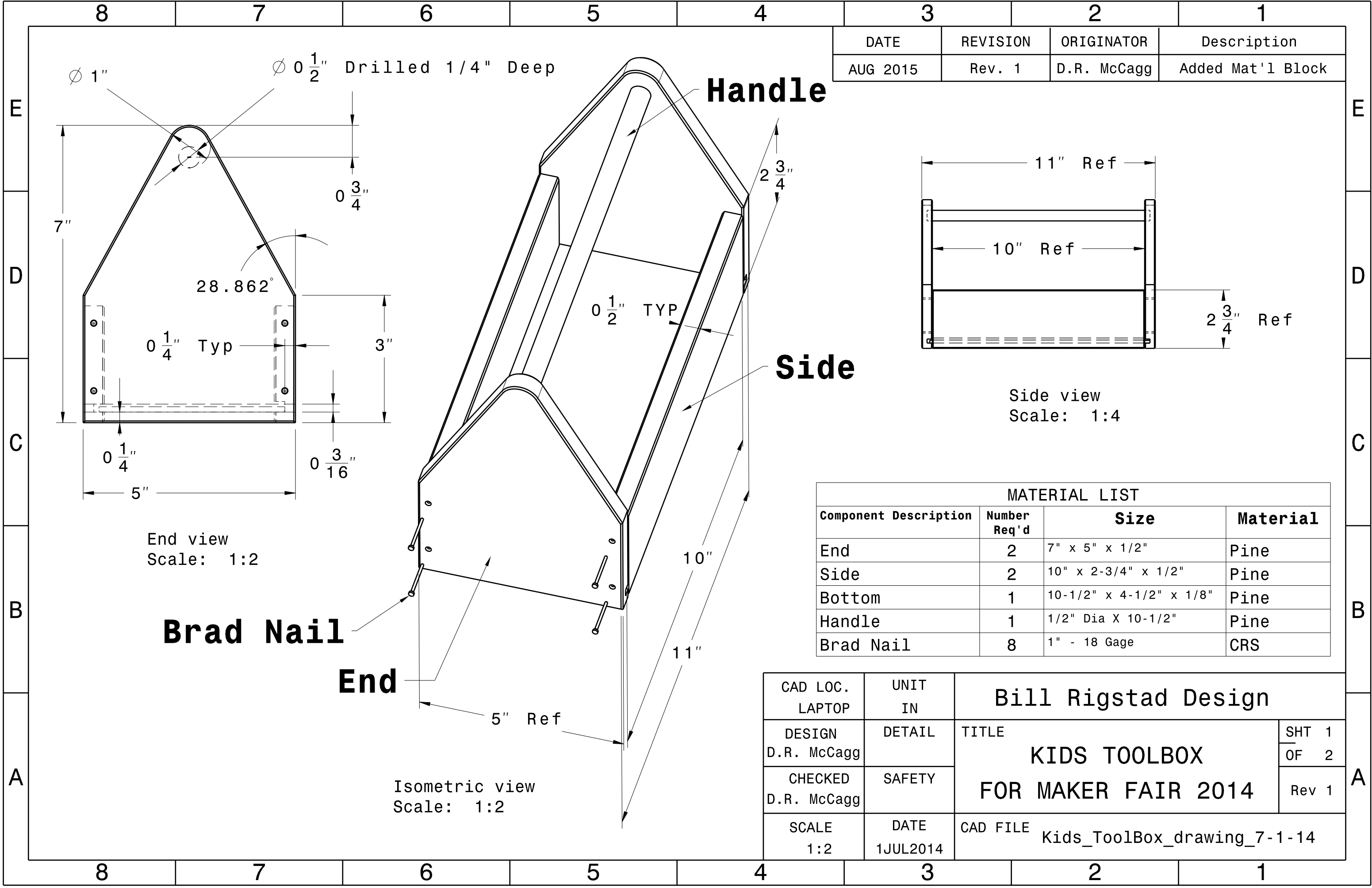


DATE	REVISION	ORIGINATOR	Description
AUG 2015	Rev. 1	D.R. McCagg	Added Mat'l Block



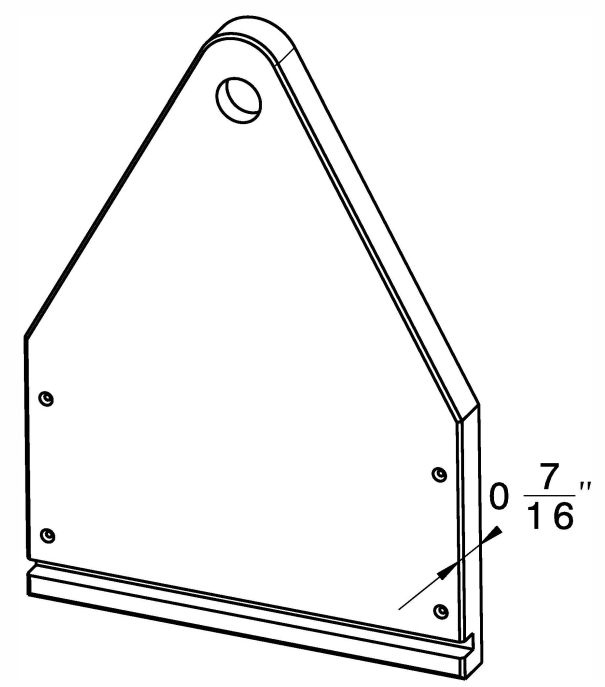
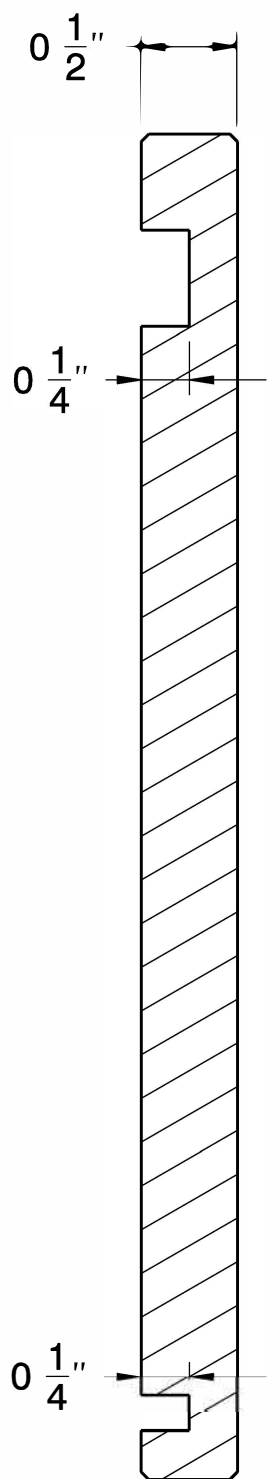
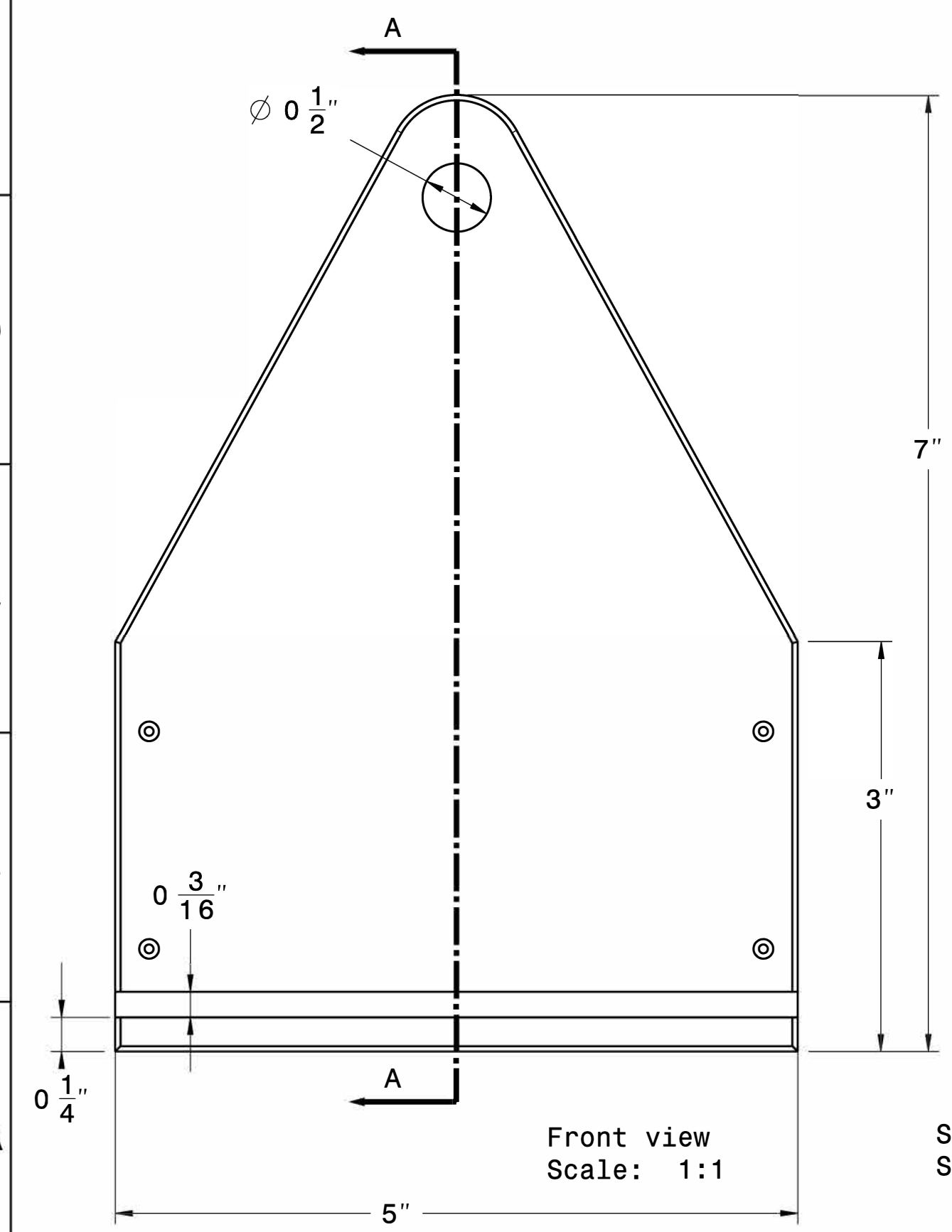
MATERIAL LIST			
Component Description	Number Req'd	Size	Material
End	2	7" x 5" x $\frac{1}{2}''$	Pine
Side	2	10" x $2 \frac{3}{4}''$ x $\frac{1}{2}''$	Pine
Bottom	1	10- $\frac{1}{2}''$ x 4- $\frac{1}{2}''$ x $\frac{1}{8}''$	Pine
Handle	1	$\frac{1}{2}''$ Dia X 10- $\frac{1}{2}''$	Pine
Brad Nail	8	1" - 18 Gage	CRS

CAD LOC. LAPTOP	UNIT IN	Bill Rigstad Design	
DESIGN D.R. McCagg	DETAIL	TITLE KIDS TOOLBOX FOR MAKER FAIR 2014	SHT 1 OF 2
CHECKED D.R. McCagg	SAFETY		Rev 1
SCALE 1:2	DATE 1JUL2014	CAD FILE Kids_ToolBox_drawing_7-1-14	

LTRS	REVISIONS		
ORIGINATOR	CHECKER	ENGR APP	MATL APP

E
D
C
B
A

E
D
C
B
A



CAD LOC. LAPTOP	UNIT IN	Bill Rigstad Design	
DESIGN D.R. McCagg	DETAIL	TITLE KIDS TOOLBOX FOR MAKER FAIR 2014	SHT 2 OF 2
CHECKED D.R. McCagg	SAFETY		Rev 1
SCALE 1:2	DATE 1JUL2014	CAD FILE Kids_ToolBox_drawing_7-1-14	