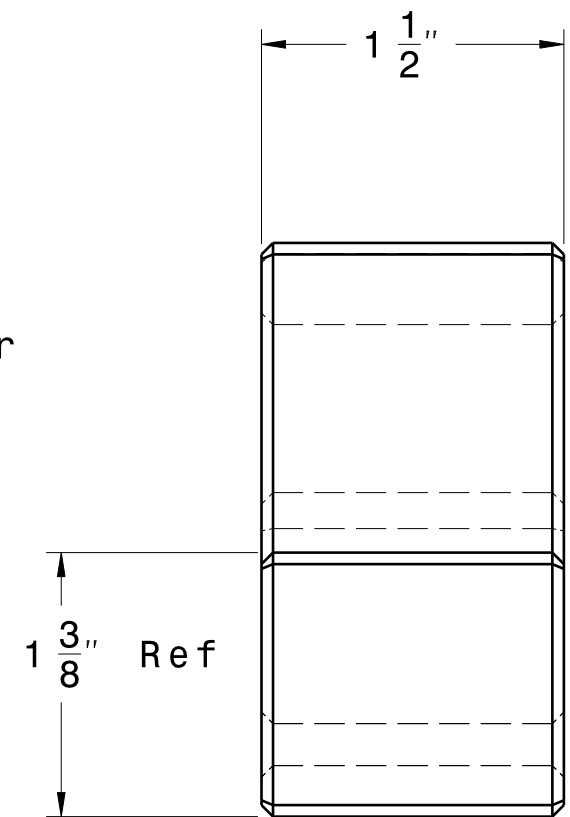
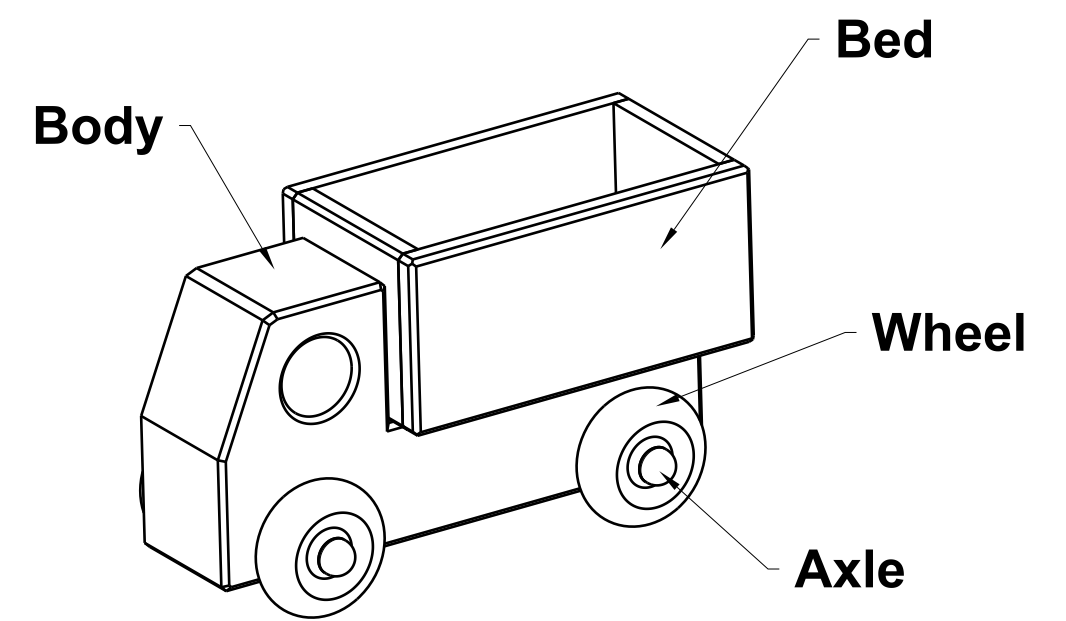


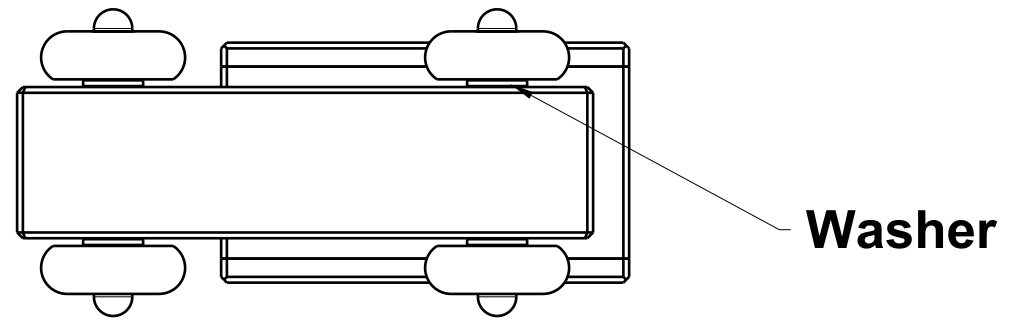
Body Front view  
Scale: 1:1



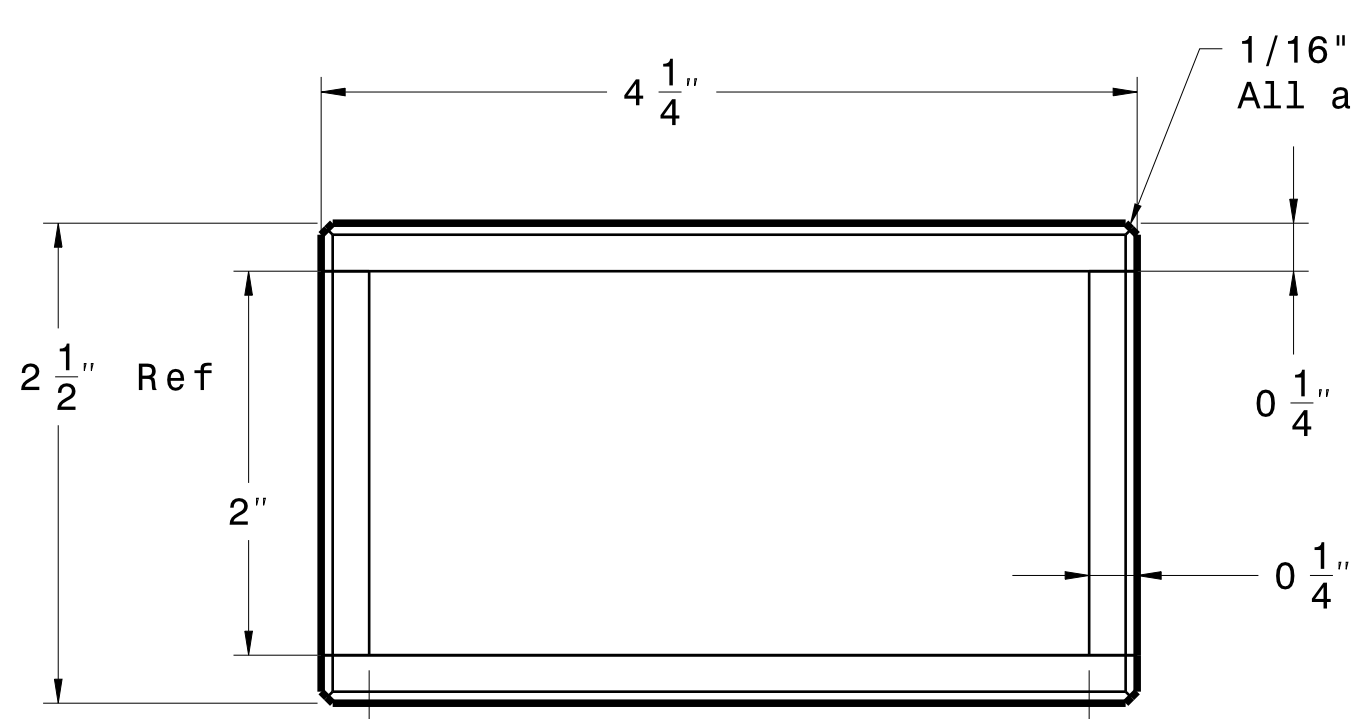
Body Right view  
Scale: 1:1



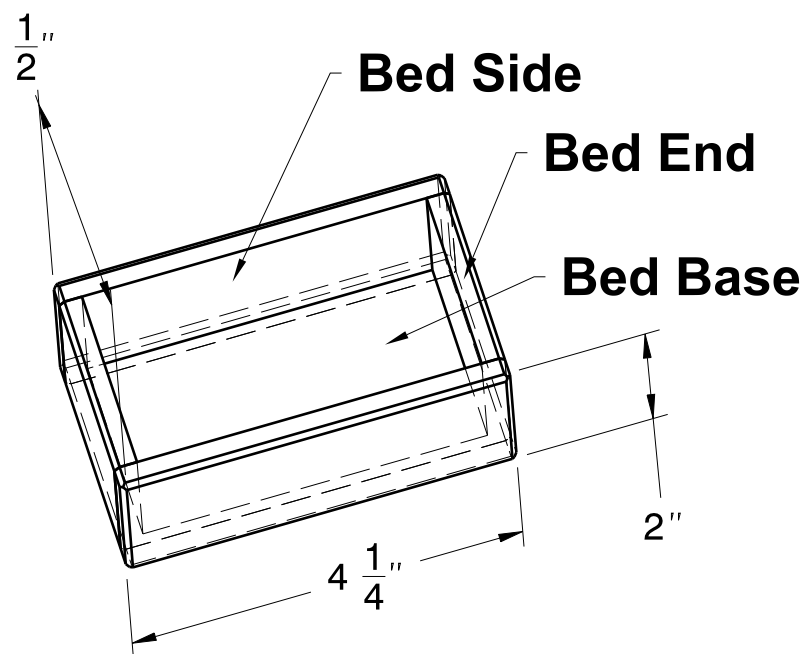
Assembly Isometric view  
Scale: 1:2



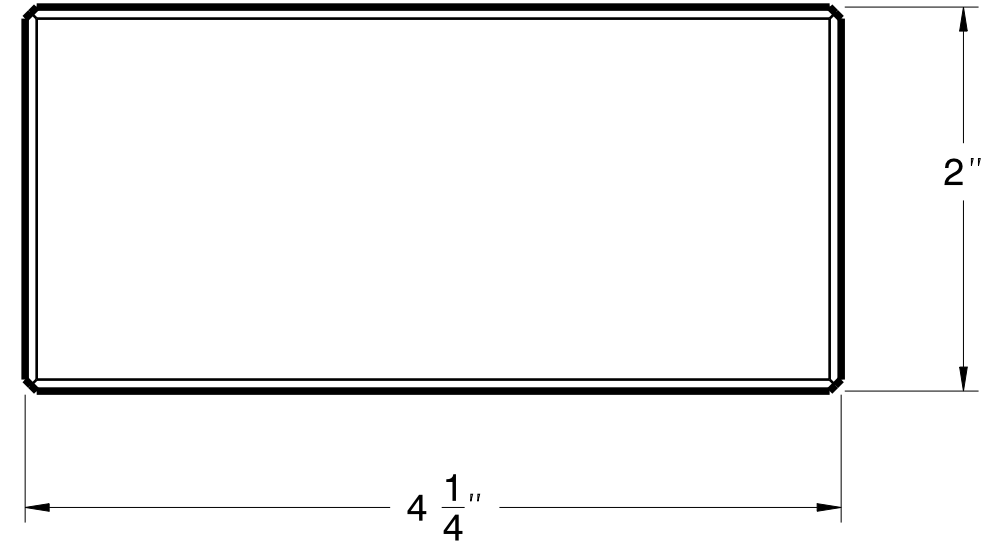
Assembly Bottom view  
Scale: 1:2



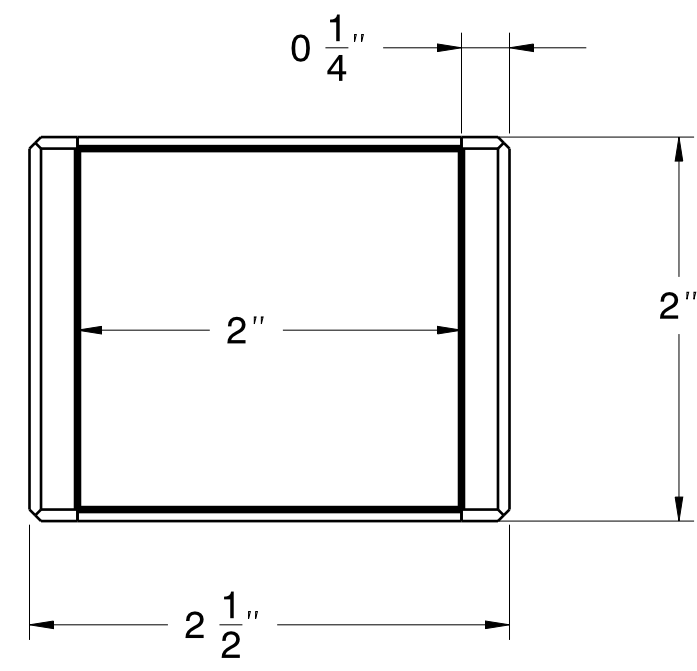
Bed Base view  
Scale: 1:1



Bed Isometric view  
Scale: 1:2

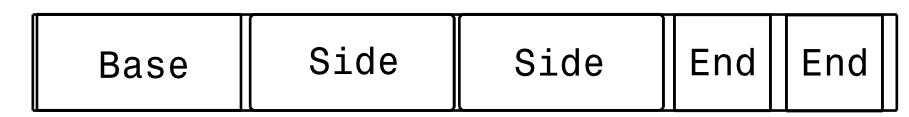


Bed Side view  
Scale: 1:1

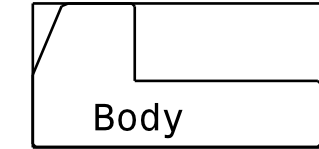


Bed End view  
Scale: 1:1

**Cut Diagram**



1/4 x 2 x 18" Pine



1-1/2 x 3 x 6" Pine

MATERIAL LIST			
Component Description	Number Req'd	Size	Material
Body	1	6" x 3" x 1-1/2"	Pine
Bed Side	2	4-1/4" x 2" x 1/4"	Pine
Bed Ends	2	2" x 2" x 1/4"	Pine
Bed Base	1	3-3/4" x 2" x 1/4"	Pine
Wheel	4	1-1/2" Dia.	Pine
Axle	4	1/4" x 1"	Pine
Washer	4	1/4"	Nylon

This drawing is our property. It can't be reproduced or communicated without our written agreement.		<b>Dave McCagg</b>		
		DRAWING TITLE <b>MWG Dump Truck</b>		
DRAWN BY <b>D R McCagg</b>	DATE 7DEC2022	SIZE <b>C</b>	DRAWING NUMBER <b>MWG Dump Truck 1-24-22</b>	REV <b>Re1</b>
CHECKED BY <b>XXX</b>	DATE XXX	SCALE 1:1	WEIGHT(kg) 729.24	SHEET 1/2
DESIGNED BY <b>D R McCagg</b>	DATE 7DEC2022			

D C B A

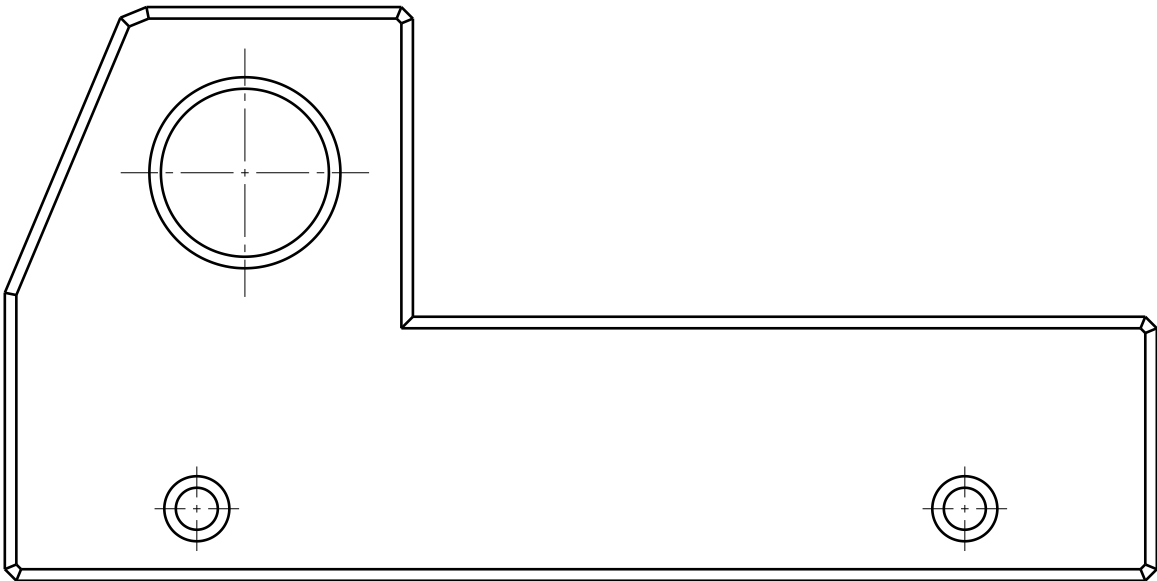
4

3

2

1

D A



Body Side view  
Scale: 1:1

This drawing is our property. It can't be reproduced or communicated without our written agreement.		<b>Dave McCagg</b>			
DRAWN BY <b>D R McCagg</b>		DATE 7DEC2022		DRAWING TITLE MWG Dump Truck - Body Side View	
CHECKED BY <b>XXX</b>		DATE XXX		SIZE <b>A</b>	DRAWING NUMBER <b>MWG Dump Truck 1-24-22</b>
DESIGNED BY <b>D R McCagg</b>		DATE 7DEC2022		SCALE <b>1:1</b>	REV <b>Re1</b>
				WEIGHT(kg) <b>729.24</b>	SHEET <b>2/2</b>

4

3

2

1