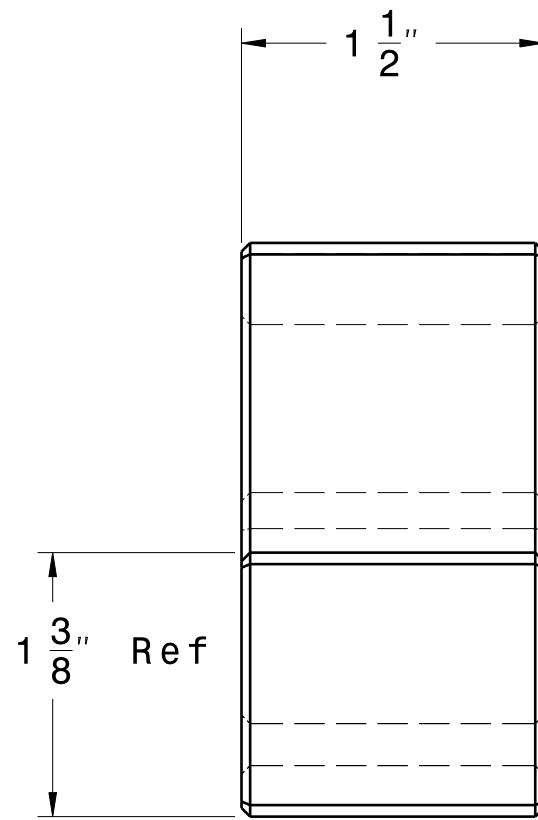
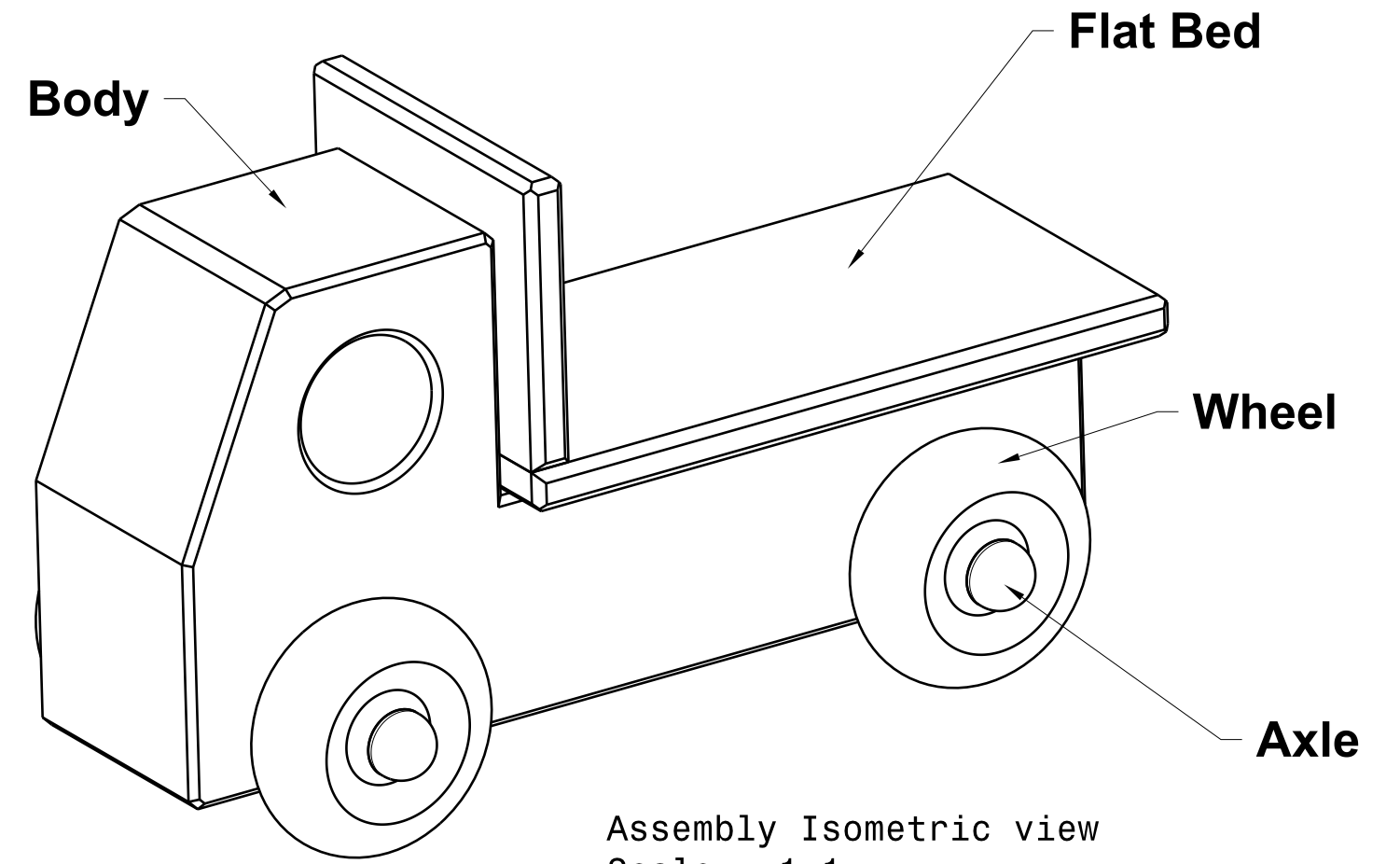


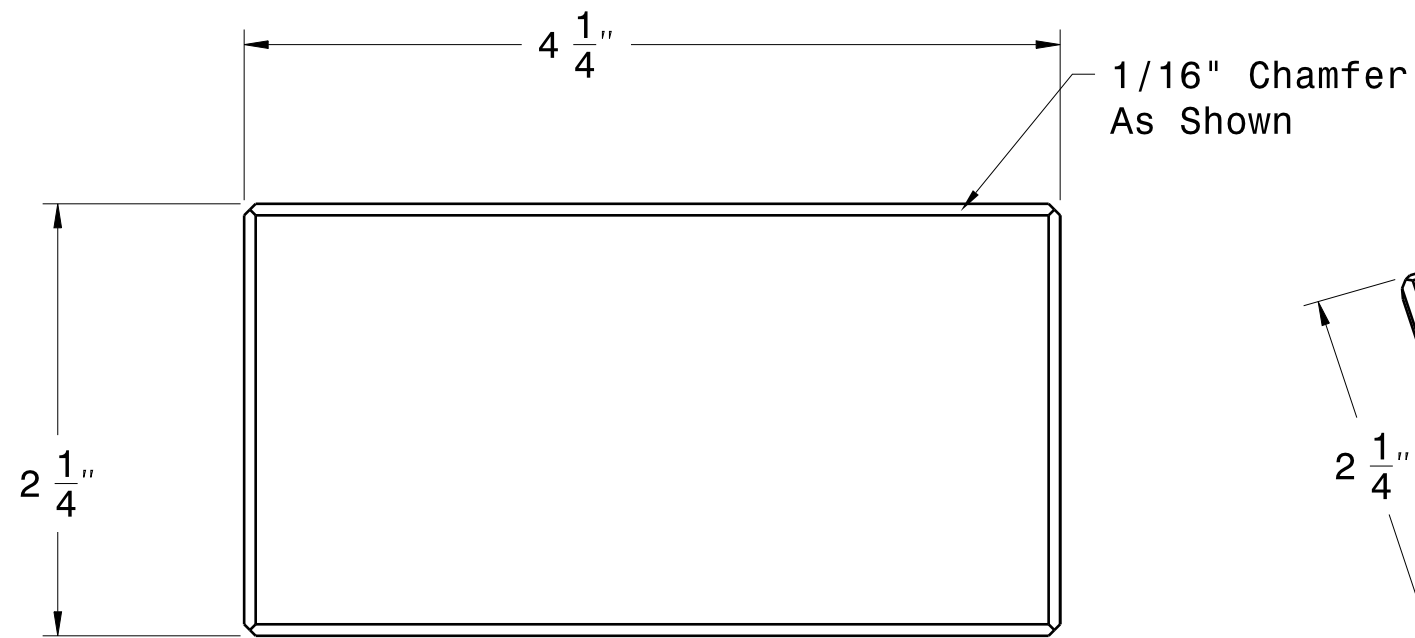
Body Side view
Scale: 1:1



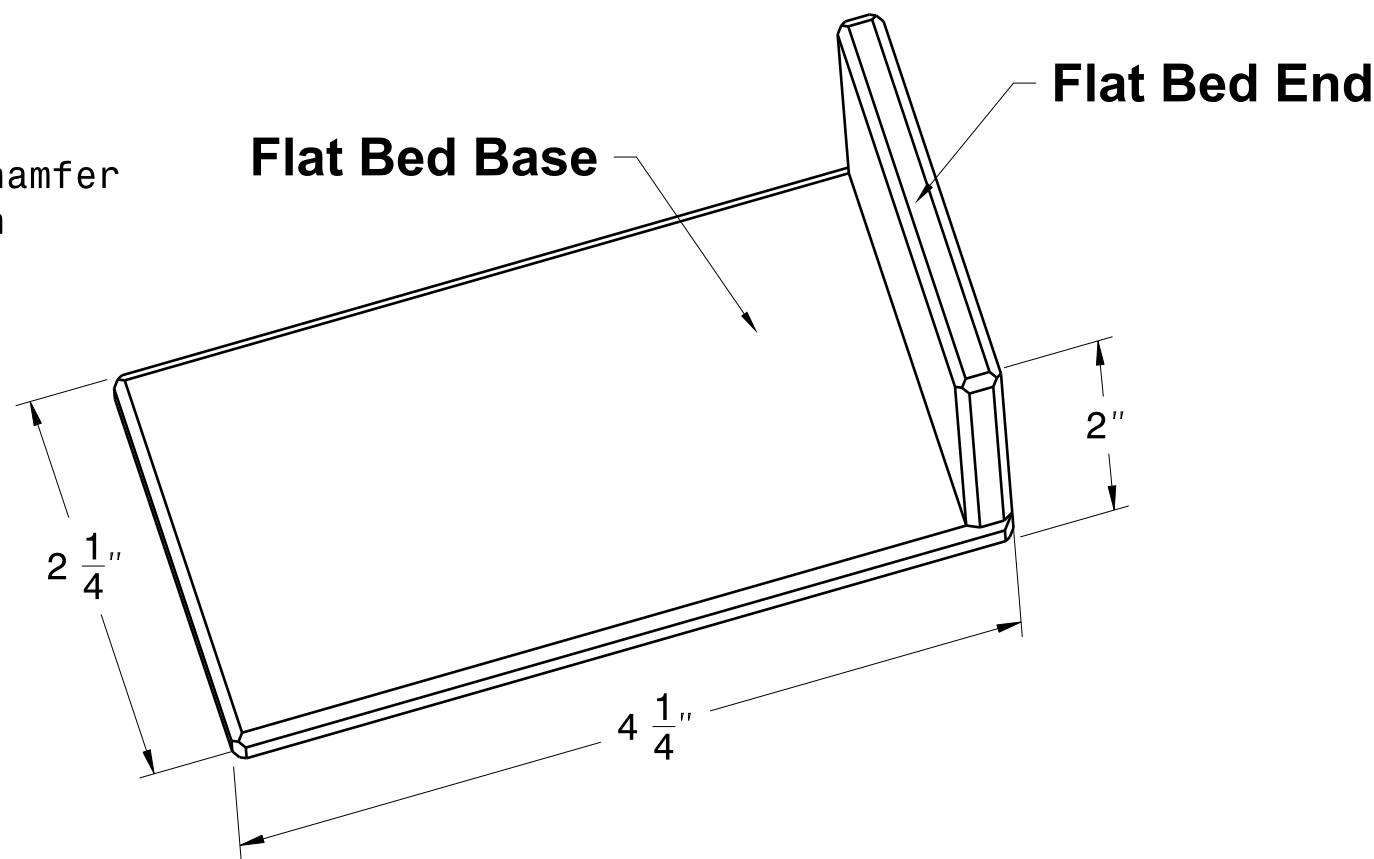
Body Right view
Scale: 1:1



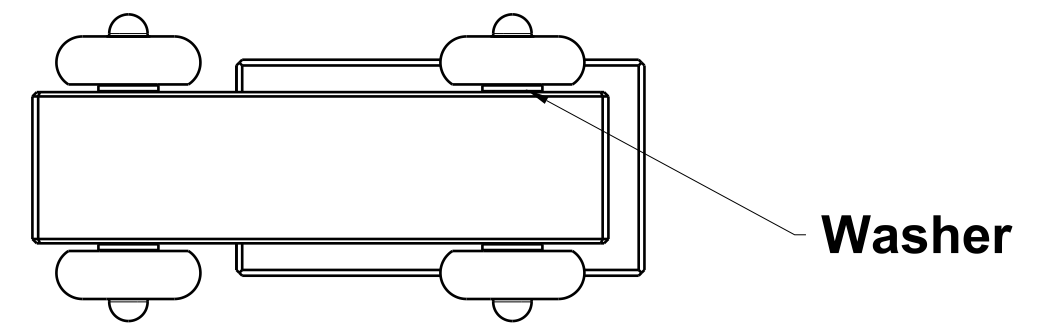
Assembly Isometric view
Scale: 1:1



Flat Bed Top view
Scale: 1:1

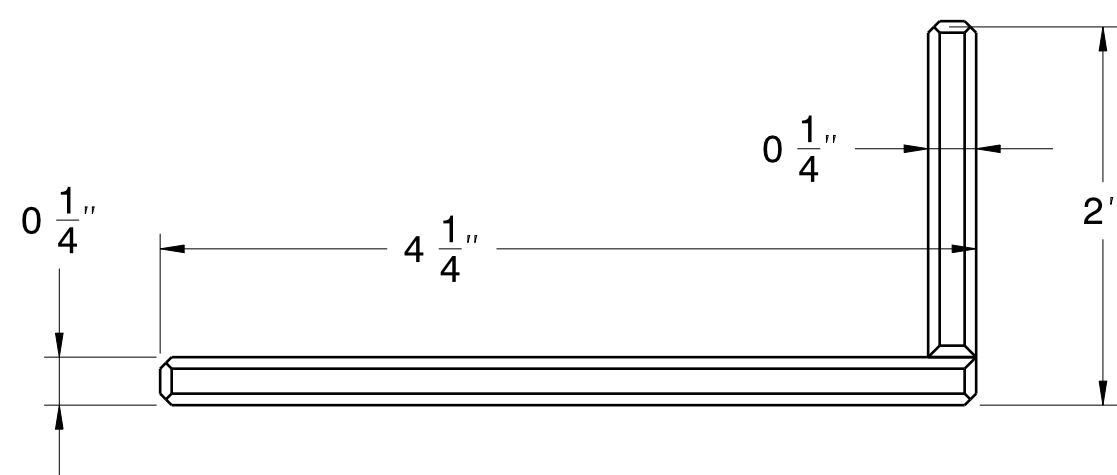


Flat Bed Isometric view
Scale: 1:1

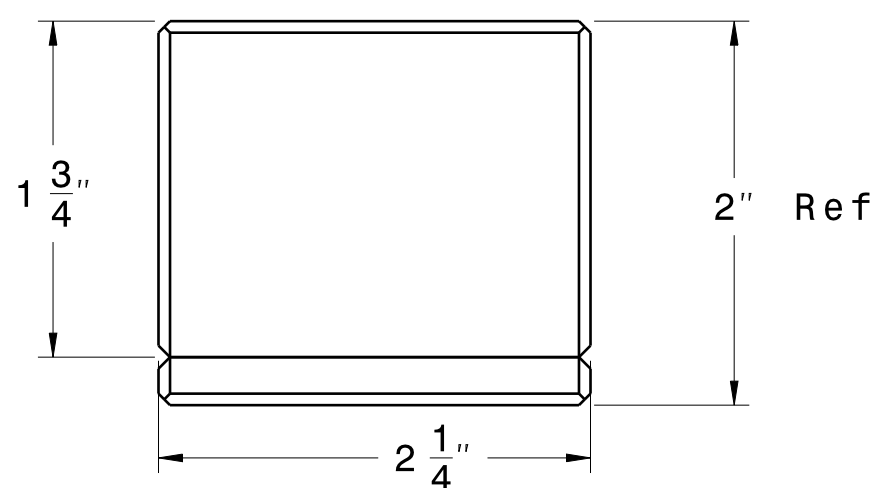


Assembly Bottom view
Scale: 1:2

MATERIAL LIST			
Component Description	Number Req'd	Size	Material
Body	1	6" x 3" x 1-1/2"	Pine
Flat Bed End	1	2*1/4" x 1-3/4" x 1/4"	Pine
Flat Bed Base	1	4-1/2" x 2-1/4" x 1/4"	Pine
Wheel	4	1-1/2" Dia.	Pine
Axle	4	7/32" x 1"	Pine
Washer	4	1/4"	Nylon



Flat Bed Side view
Scale: 1:1



Flat Bed End view
Scale: 1:1

This drawing is our property. It can't be reproduced or communicated without our written agreement.

Dave McCagg

DRAWING TITLE

MWG Flat Bed Truck

DRAWN BY
D R McCagg

DATE
8DEC2022

CHECKED BY
XXX

DATE
XXX

SIZE
C

DRAWING NUMBER
MWG Truck 1-24-22

REV
A

DESIGNED BY
D R McCagg

DATE
8DEC2022

SCALE 1:1 WEIGHT(kg) 729.24 SHEET 1/1