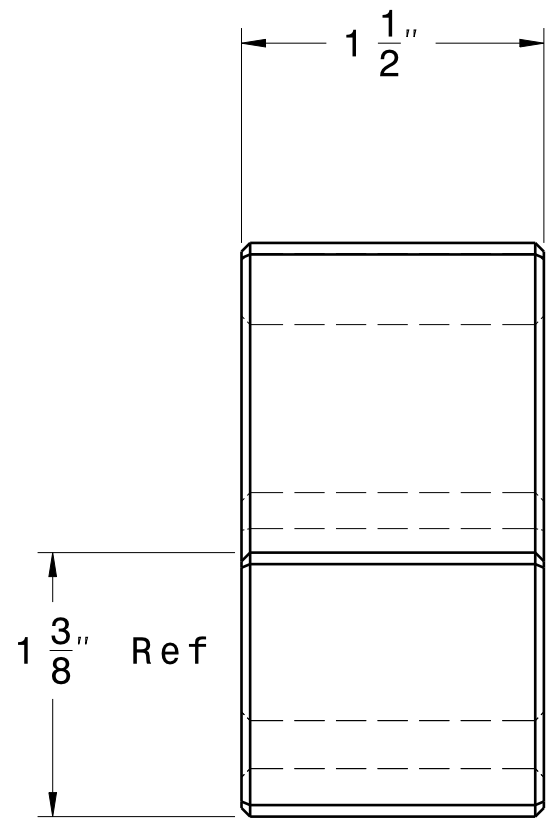
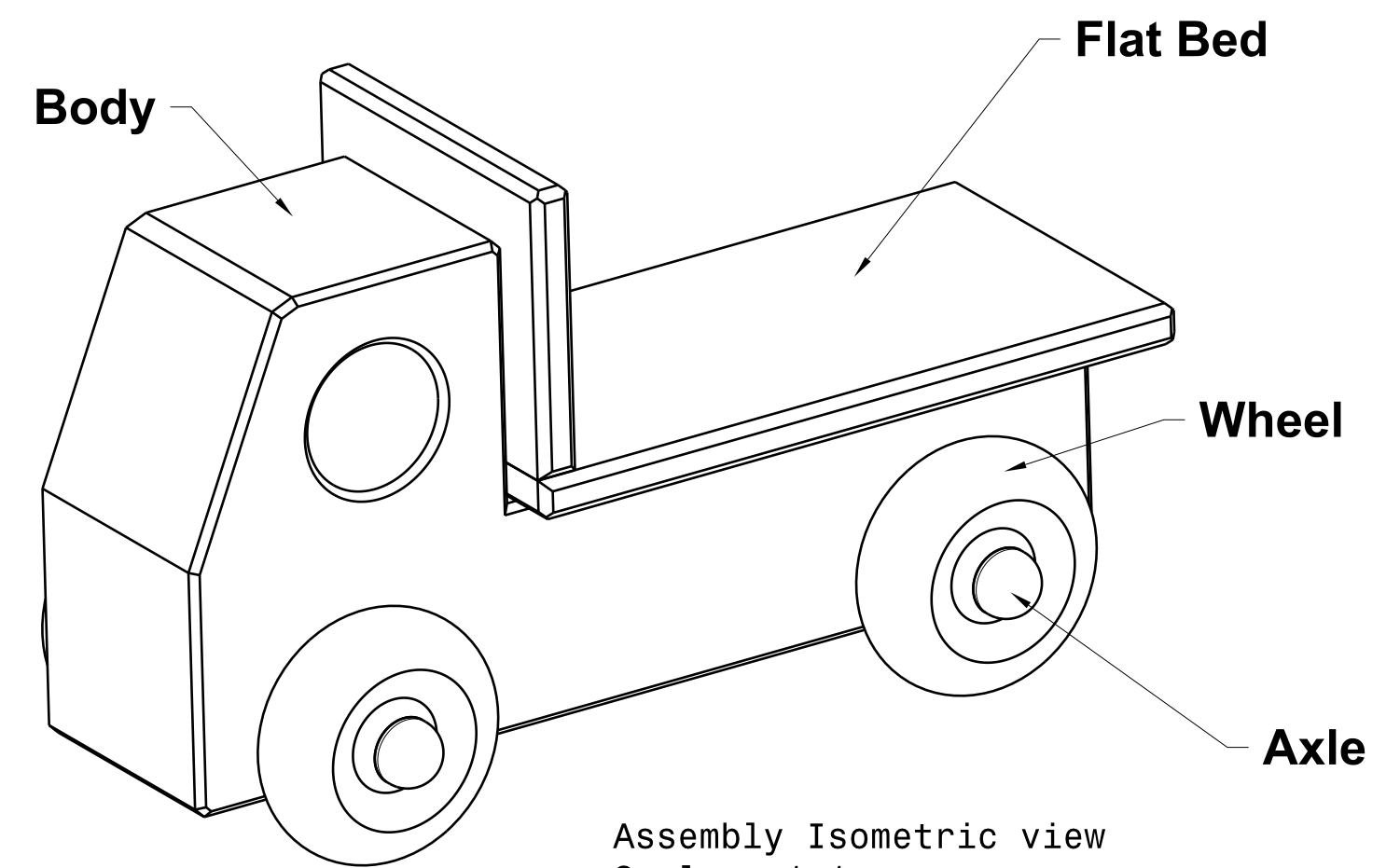


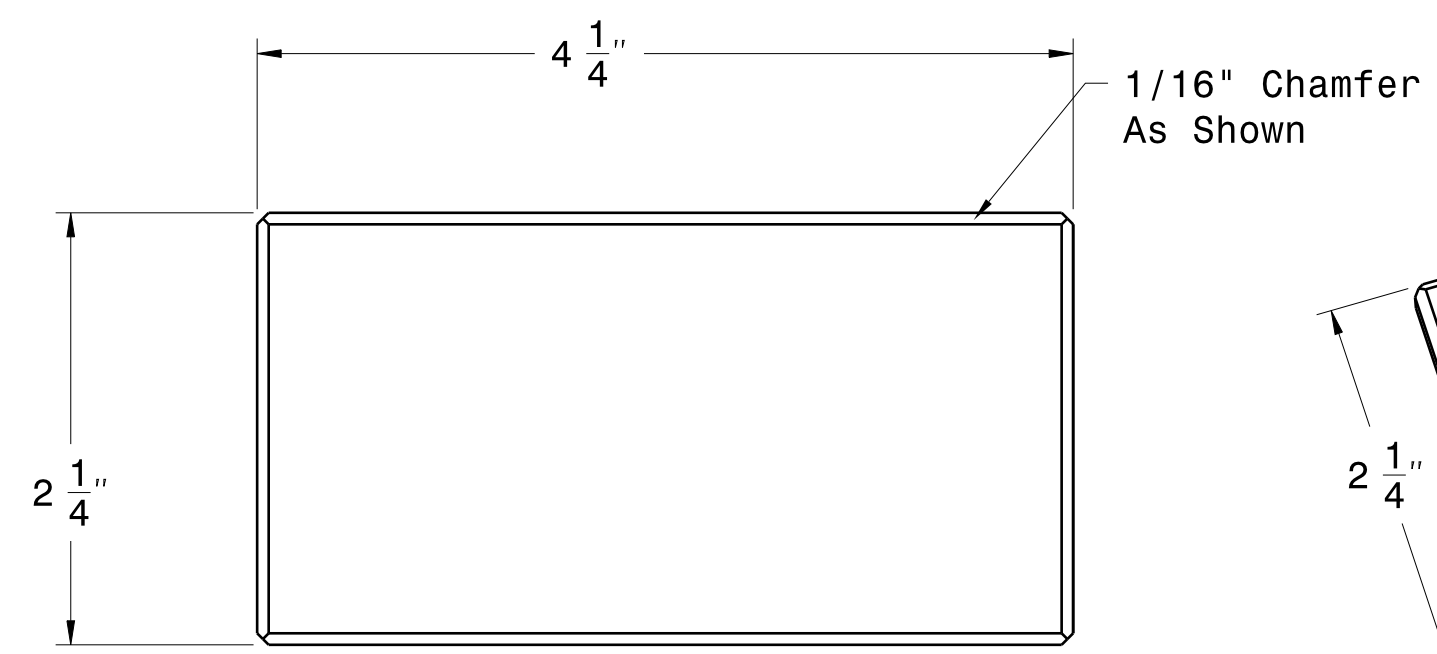
Body Front view
Scale: 1:1



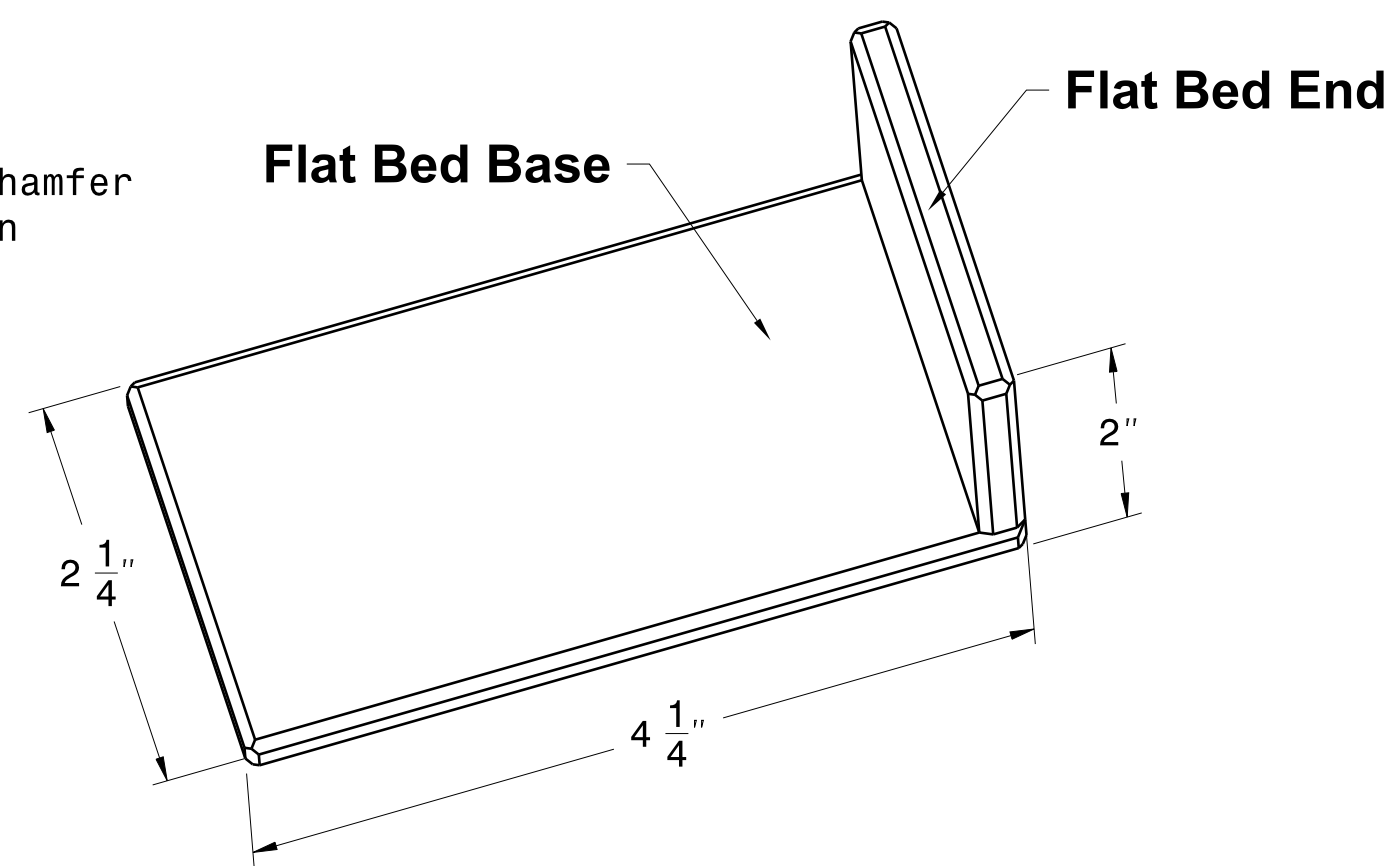
Body Right view
Scale: 1:1



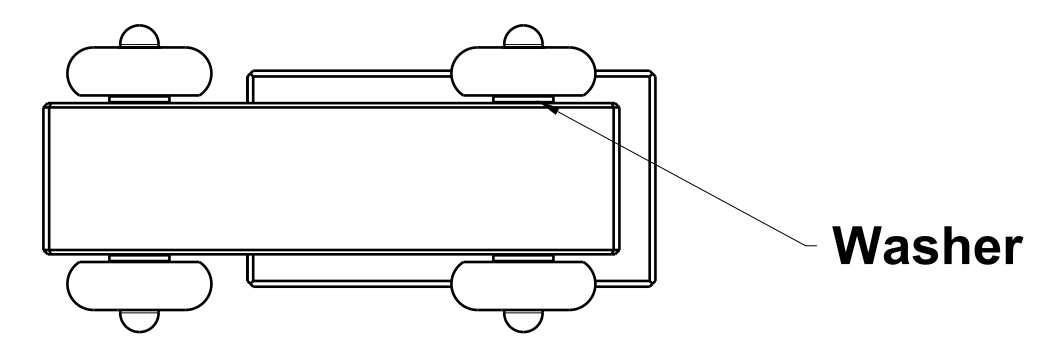
Assembly Isometric view
Scale: 1:1



Flat Bed Base view
Scale: 1:1

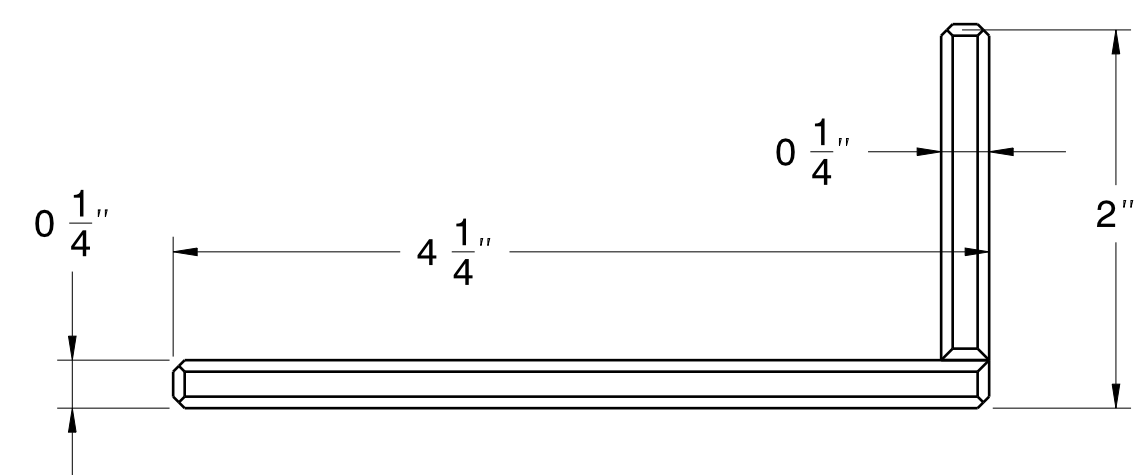


Flat Bed Isometric view
Scale: 1:1

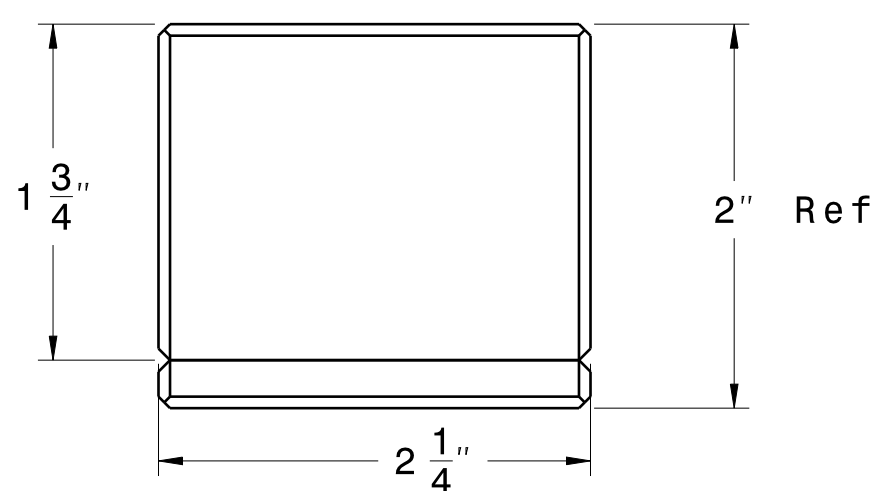


Assembly Bottom view
Scale: 1:2

| MATERIAL LIST | | | |
|-----------------------|--------------|------------------------|----------|
| Component Description | Number Req'd | Size | Material |
| Body | 1 | 6" x 3" x 1-1/2" | Pine |
| Flat Bed End | 1 | 2*1/4" x 1-3/4" x 1/4" | Pine |
| Flat Bed Base | 1 | 4-1/2" x 2-1/4" x 1/4" | Pine |
| Wheel | 4 | 1-1/2" Dia. | Pine |
| Axle | 4 | 1/4" x 1" | Pine |
| Washer | 4 | 1/4" | Nylon |



Flat Bed Side view
Scale: 1:1



Flat Bed End view
Scale: 1:1

| | | | | |
|---|--|--|------------------|--|
| This drawing is our property. It can't be reproduced or communicated without our written agreement. | | Dave McCagg | | |
| DRAWN BY D R McCagg | | DRAWING TITLE MWG Flat Bed Truck | | |
| CHECKED BY XXX | | DATE 8DEC2022 | SIZE C | DRAWING NUMBER MWG Truck 1-24-22 |
| DESIGNED BY D R McCagg | | DATE 8DEC2022 | SCALE 1:1 | REV Re1 |
| | | WEIGHT(kg) 729.24 | SHEET 1/1 | |