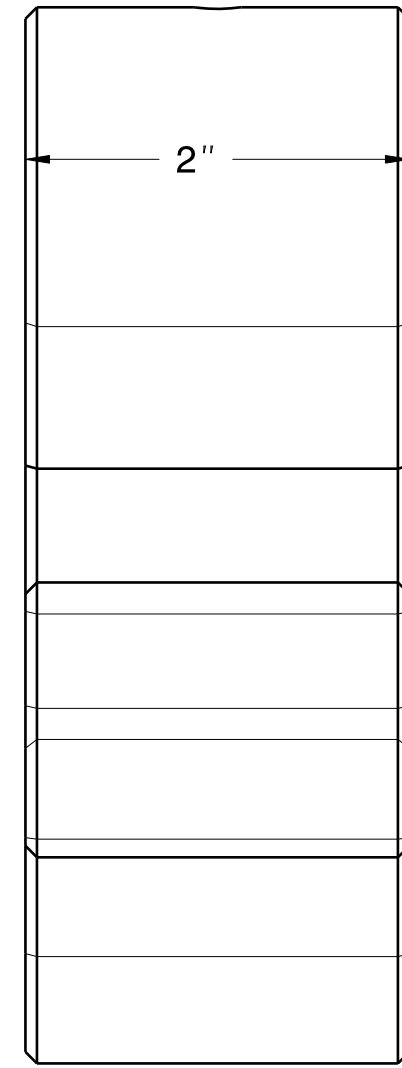
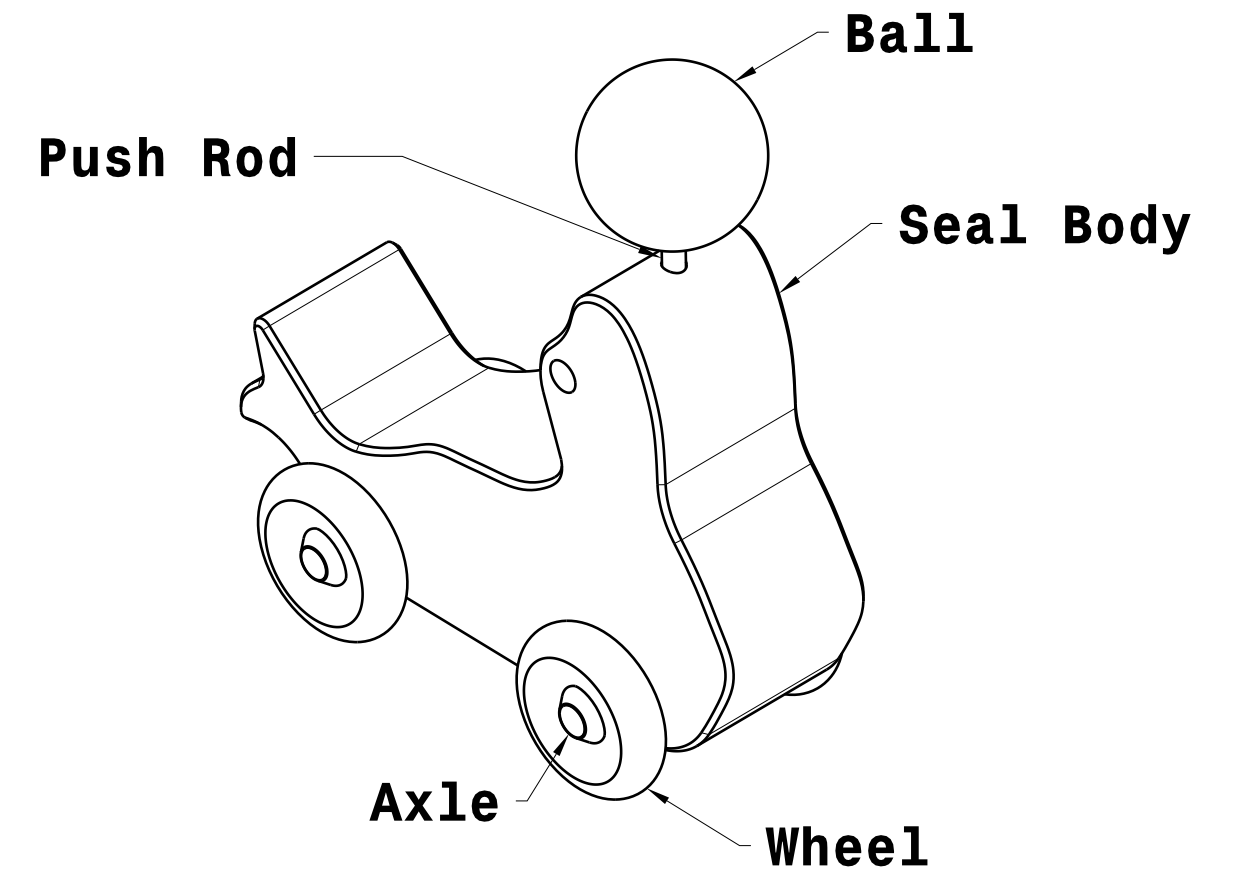


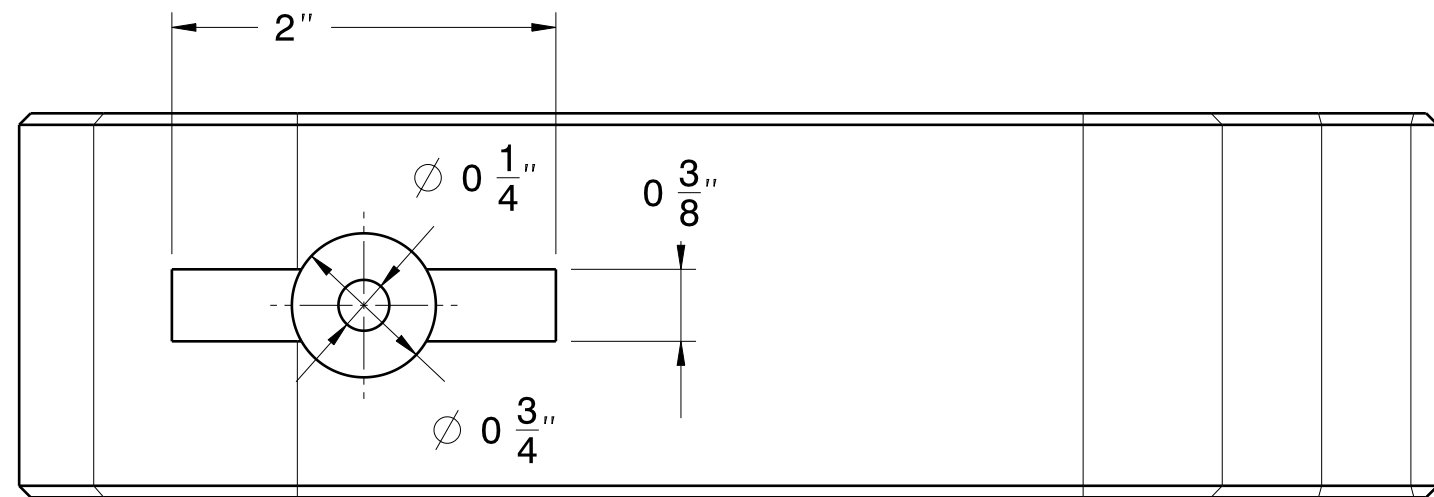
Body Front view
Scale: 1:1



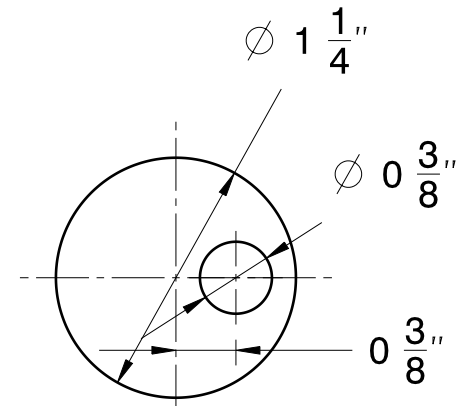
Body Right view
Scale: 1:1



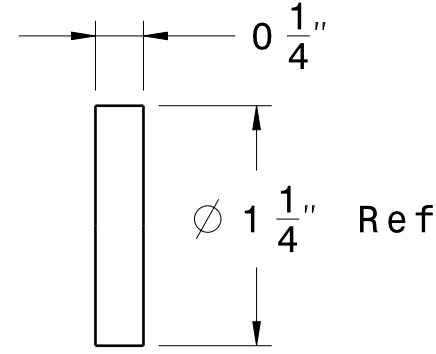
Assy Isometric view
Scale: 1:2



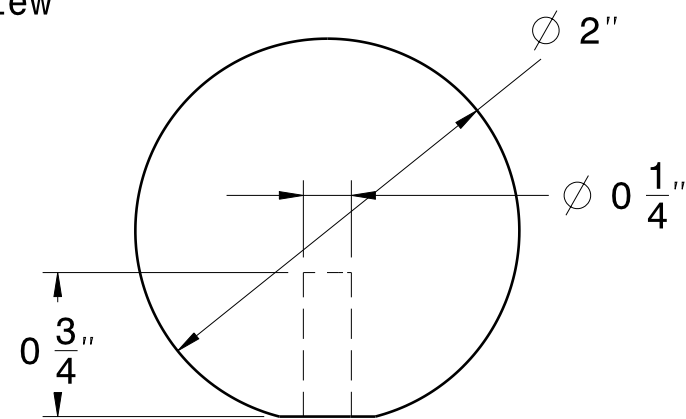
Body Bottom view
Scale: 1:1



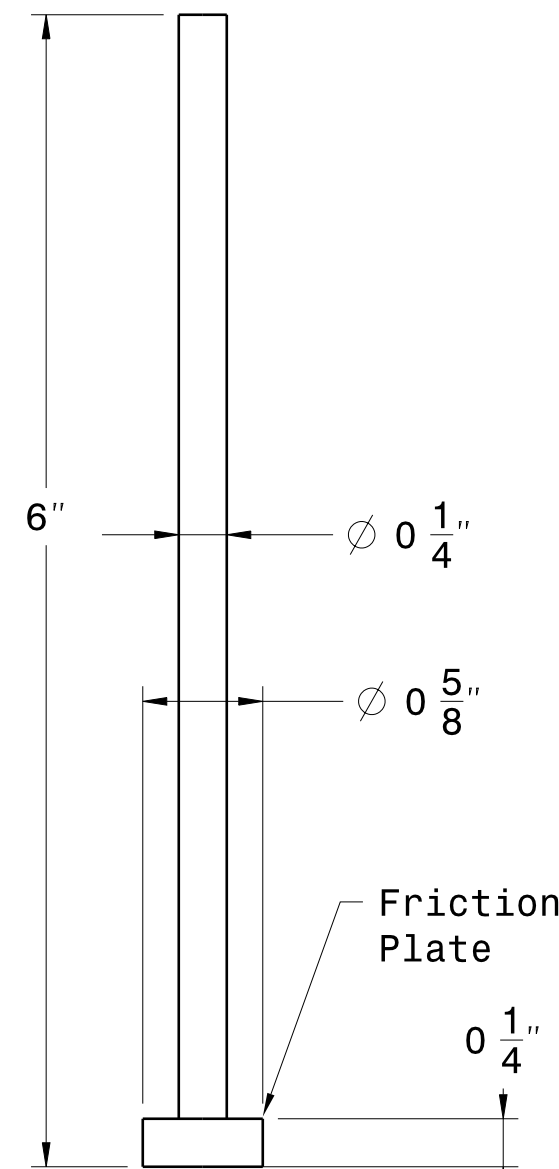
Cam Front view
Scale: 1:1



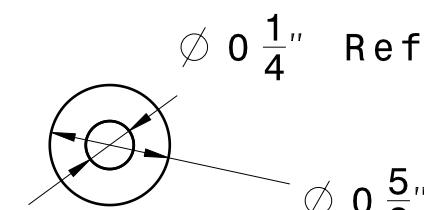
Cam Right view
Scale: 1:1



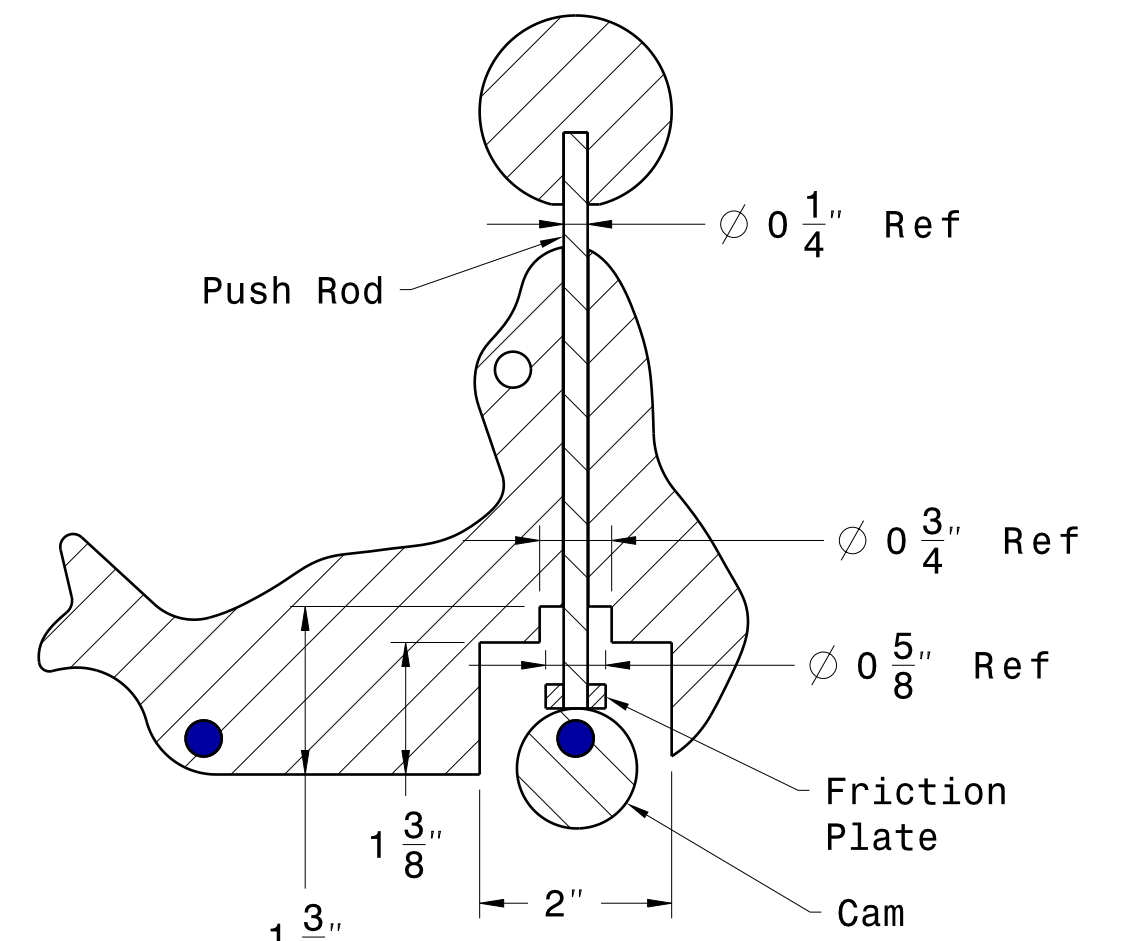
Ball Front view
Scale: 1:1



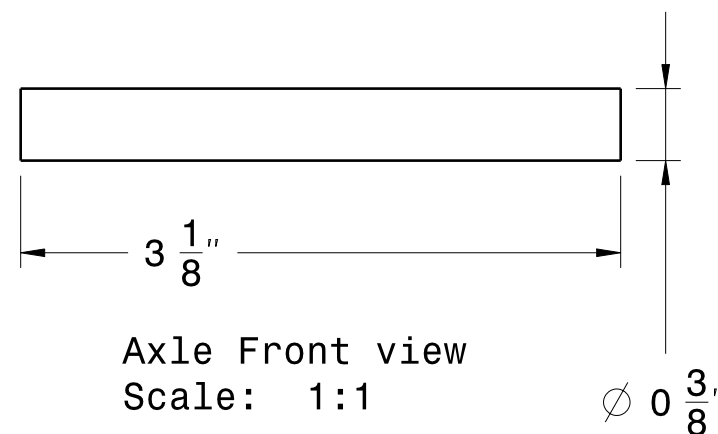
Push Rod Front view
Scale: 1:1



Internal Rod Bottom view
Scale: 1:1



Assy Section cut A-A
Scale: 1:2



Axle Front view
Scale: 1:1

MATERIAL LIST			
Component Description	Number Req'd	Size	Material
Seal Body	1	7 - 3/8" x 5-1/2" x 2"	Ash
Cam	1	1 - 1/4" Dia. x 1/4"	Birch Ply
Axle	2	3/8" Dia. x 3 - 1/8" Long	Pine
Push Rod	1	1/4" Dia X 6" Long	Pine
Friction Plate	1	5/8" Dia X 1/4" Thick	Birch Ply
2" Ball	1	1/4" X 20	Pine
Wheels	4	2" Dia.	Pine

This drawing is our property. It can't be reproduced or communicated without our written agreement.

DRAWN BY
D R McCagg
CHECKED BY
XXX
DESIGNED BY
D R McCagg

DATE
8NOV2022
DATE
XXX
DATE
8NOV2022

Dave McCagg
DRAWING TITLE
MWG Articulated Seal
SIZE
C
SCALE
1:1

WEIGHT(kg)
6.07

SHEET
1/1

REVISIONS
DRAWING NUMBER
MWG Seal with Ball 9-24-22
REV
Rel

