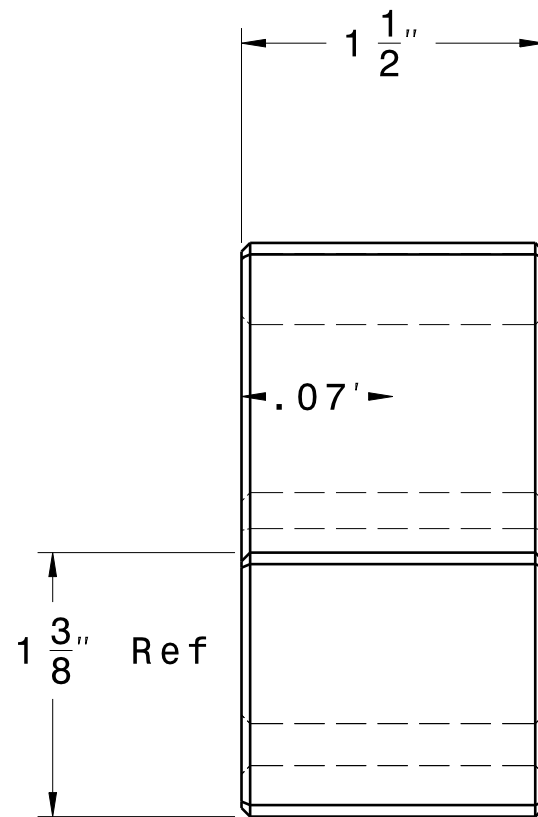
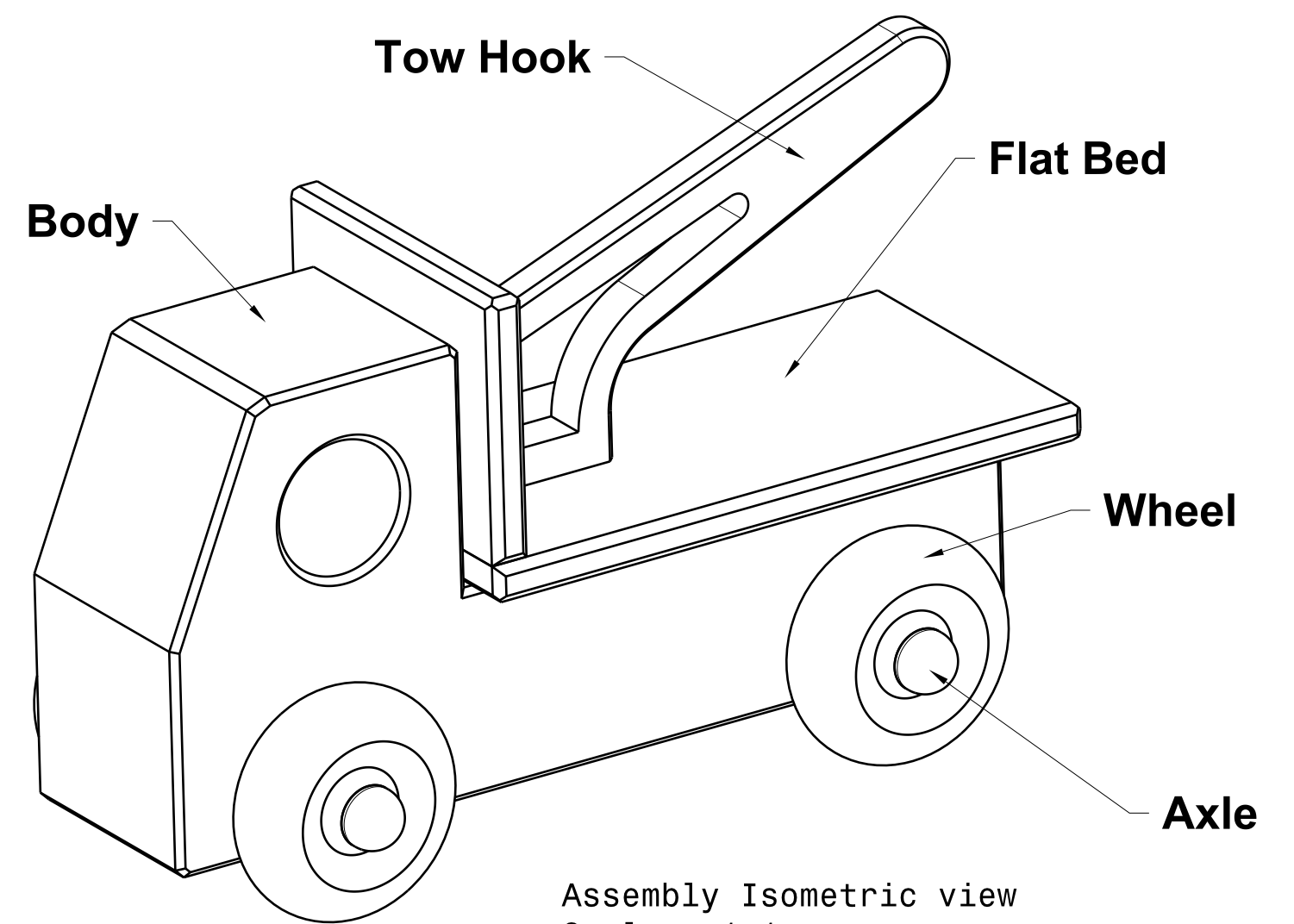


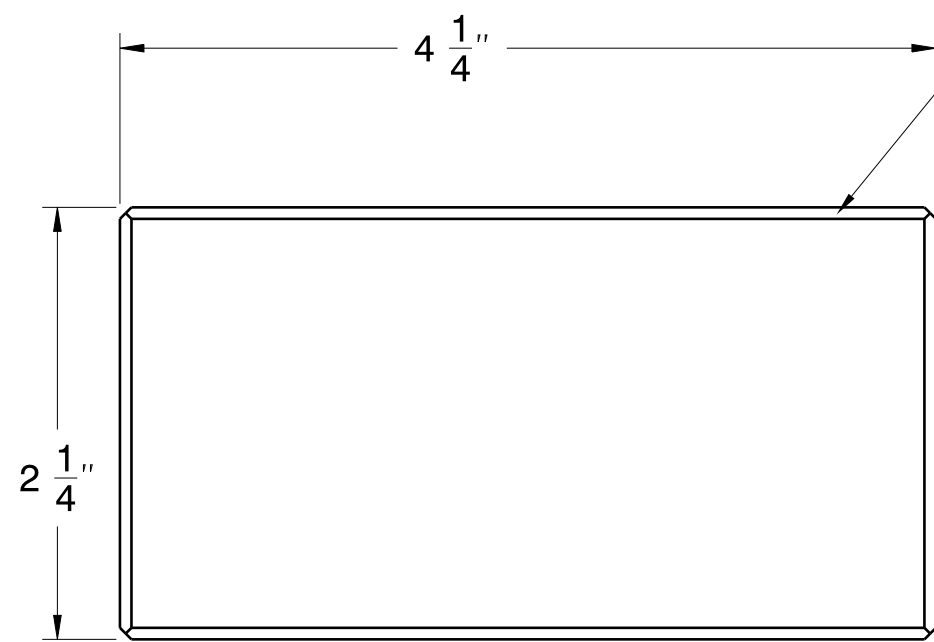
Body Side view  
Scale: 1:1



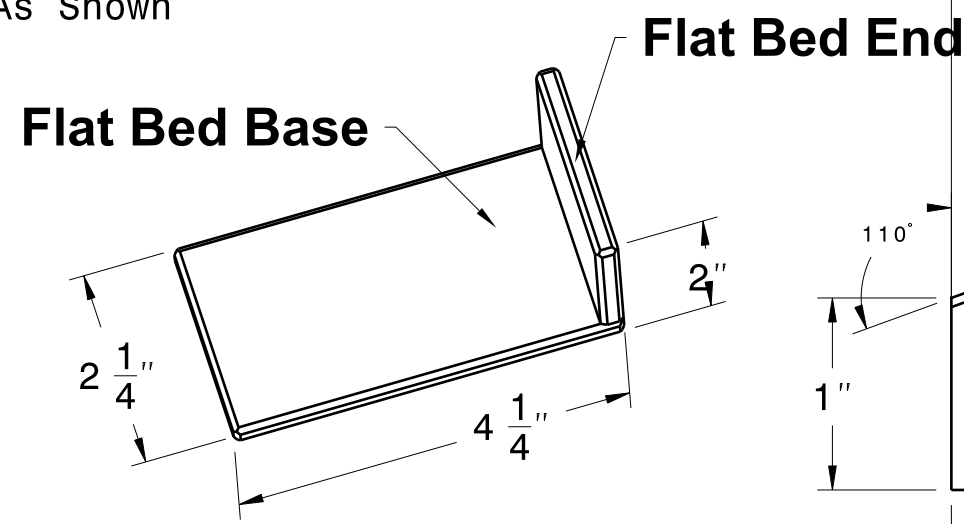
Body Right view  
Scale: 1:1



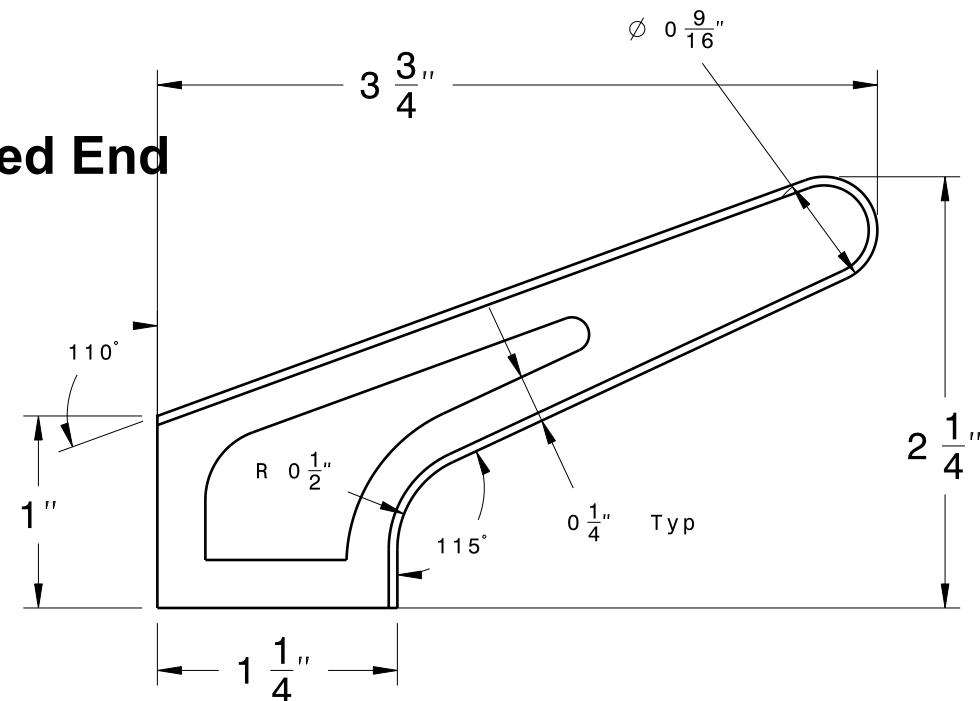
Assembly Isometric view  
Scale: 1:1



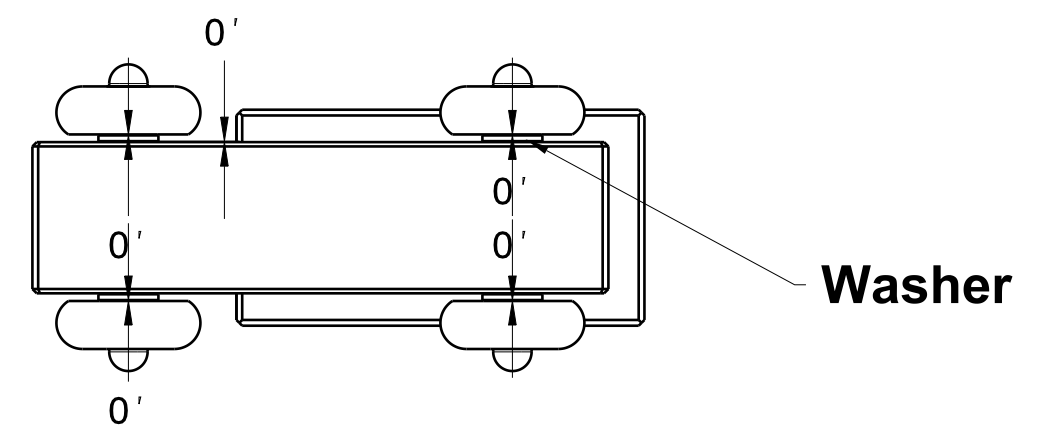
Flat Bed Top view  
Scale: 1:1



Flat Bed Isometric view  
Scale: 1:2

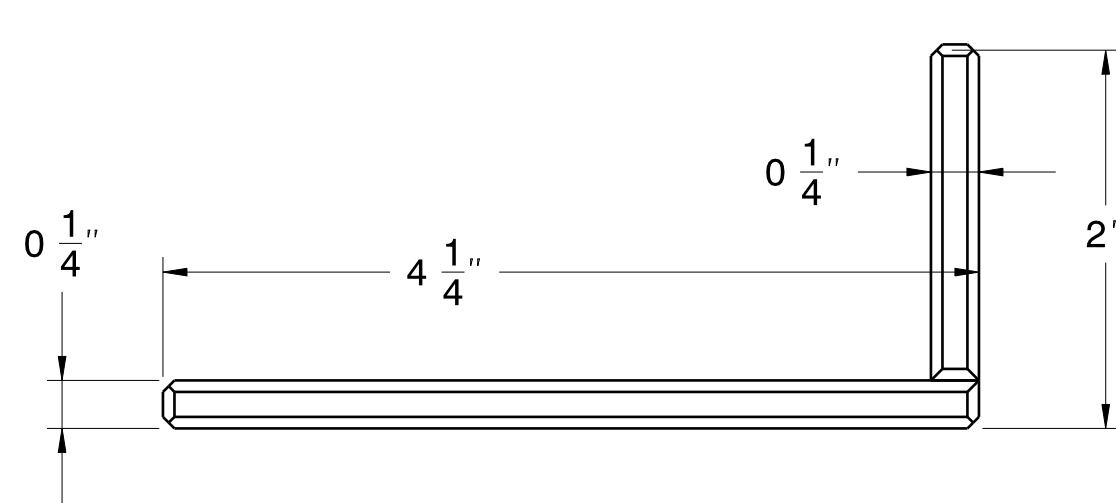


Tow Hook plan view  
Scale: 1:1

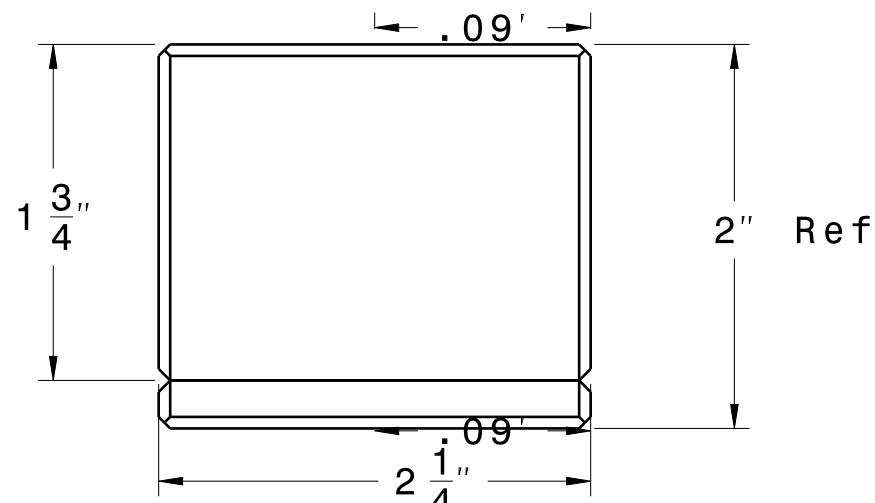


Assembly Bottom view  
Scale: 1:2

MATERIAL LIST			
Component Description	Number Req'd	Size	Material
Body	1	6" x 3" x 1-1/2"	Pine
Flat Bed End	1	2-1/4" x 1-3/4" x 1/4"	Pine
Flat Bed Base	1	4-1/2" x 2-1/4" x 1/4"	Pine
Wheel	4	1-1/2" Dia.	Pine
Axle	4	7/32" x 1"	Pine
Washer	4	1/4"	Nylon
Tow Hook	1	3-3/4" x 2-1/4" x 1/4"	Pine



Flat Bed Side view  
Scale: 1:1



Flat Bed End view  
Scale: 1:1

This drawing is our property. It can't be reproduced or communicated without our written agreement.

Dave McCagg

DRAWING TITLE

MWG Tow Truck

DRAWN BY  
D R McCagg  
CHECKED BY  
XXX  
DESIGNED BY  
D R McCagg

DATE  
15JAN2024  
DATE  
XXX  
DATE  
15JAN2024

SIZE C	DRAWING NUMBER MWG Tow Truck 1-15-24	REV A
SCALE 1:1	WEIGHT(kg) 729.24	SHEET 1/1