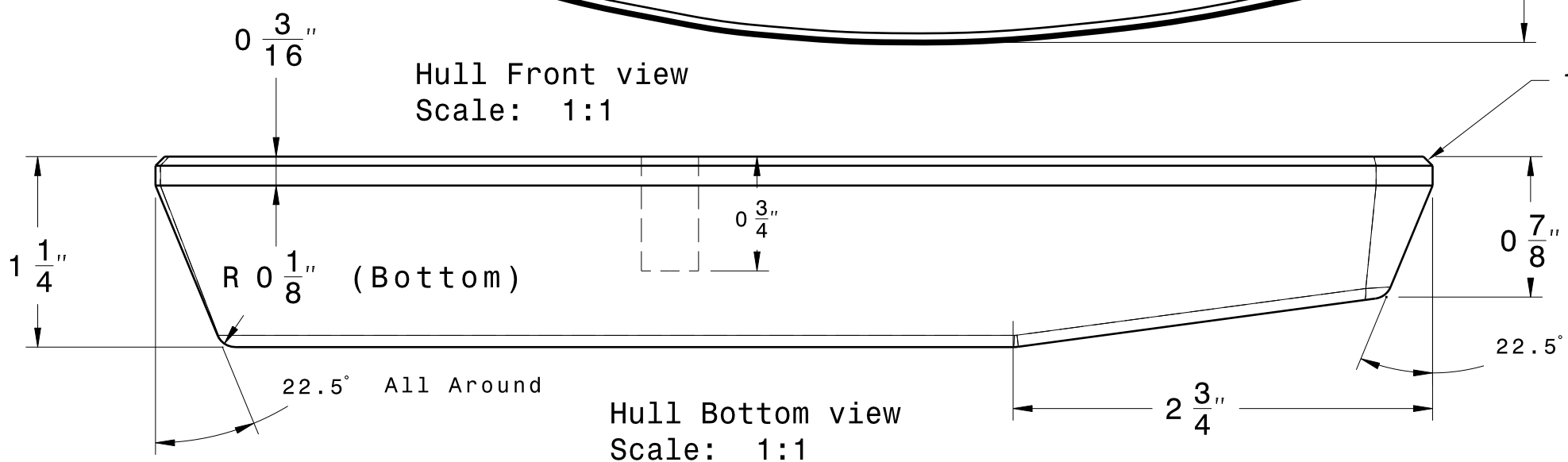
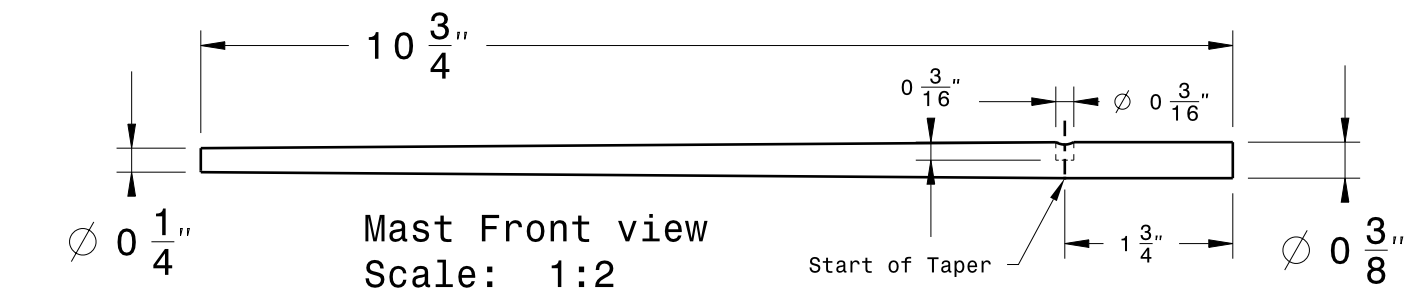


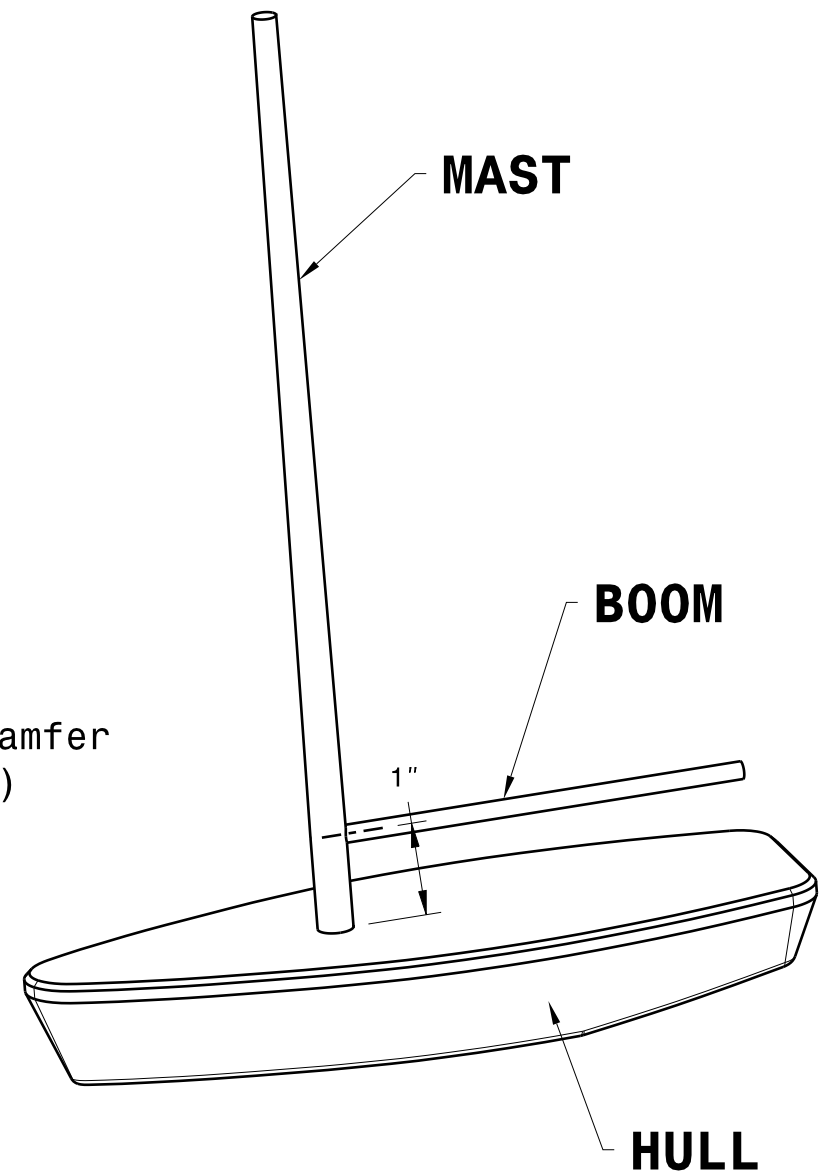
Hull Front view
Scale: 1:1



Hull Bottom view
Scale: 1:1



Mast Front view
Scale: 1:2



Assembly Isometric view
Scale: 1:2

Taper mast with Disc Sander while rotating mast blank in pistol drill.

Start with 3/8" dowel 12" long.
Cut to length after taper

MATERIAL LIST			
Component Description	Number Req'd	Size	Material
Hull	1	8-3/8" x 3-1/8" x 1-1/4"	Pine
Mast	1	3/8" Dia . x 10-3/4" Long (Taper to 1/4" Dia. as shown)	Pine
Boom	1	3/16" Dia. x 4-1/2" Long	Pine

This drawing is our property. It can't be reproduced or communicated without our written agreement.

**MICHIGAN WOODWORKER'S GUILD
TOY PROGRAM**

DRAWN BY D R McCagg	DATE 29APR2021
CHECKED BY XXX	DATE XXX
DESIGNED BY D R McCagg	DATE 29APR2021

DRAWING TITLE MWG Wood Sailboat			
SIZE B	DRAWING NUMBER Sailboat 4-28-21	REV Rel	
SCALE 1:1	WEIGHT(kg) 0.47	SHEET 1/1	